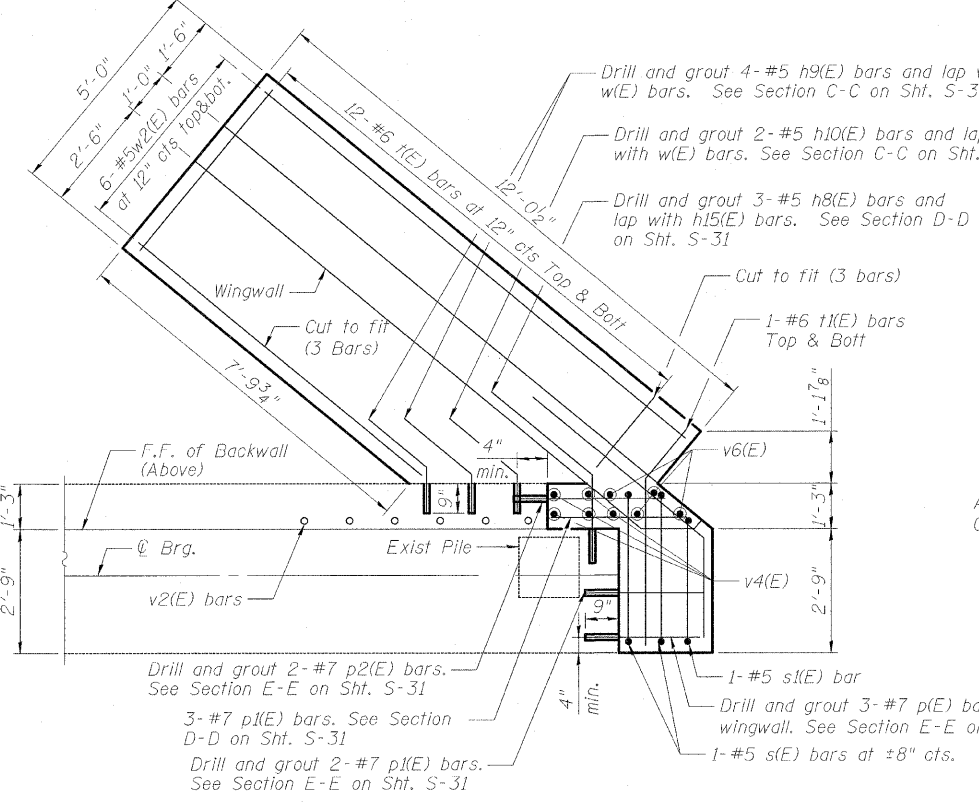
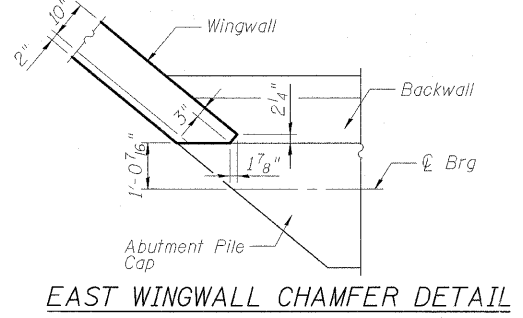
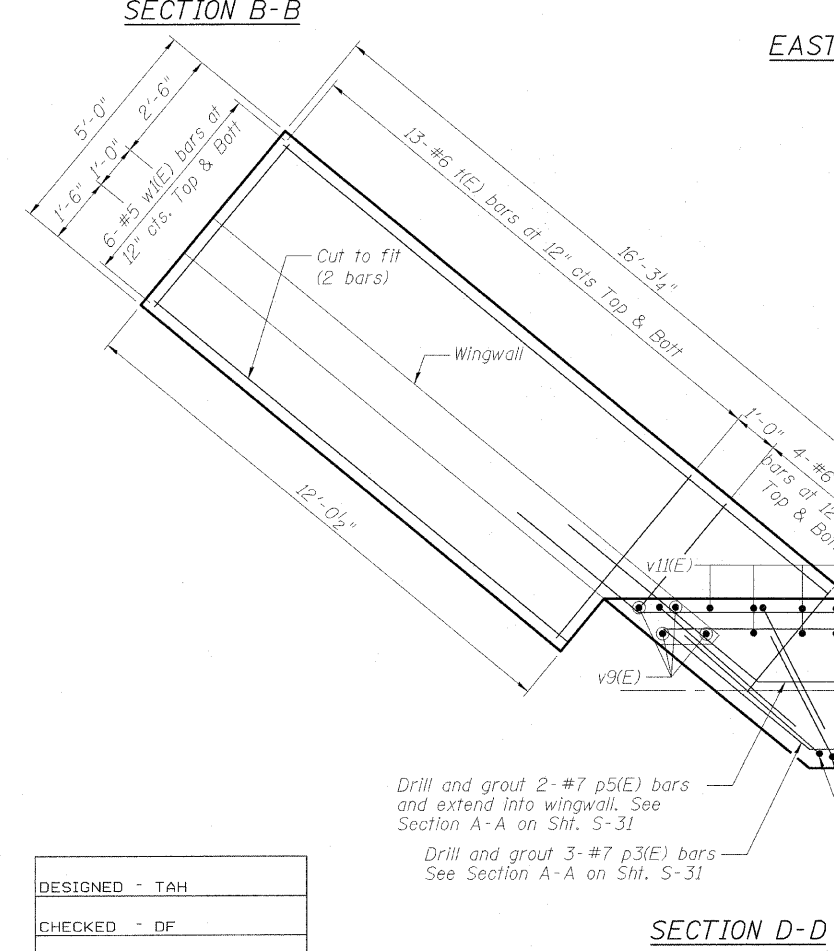
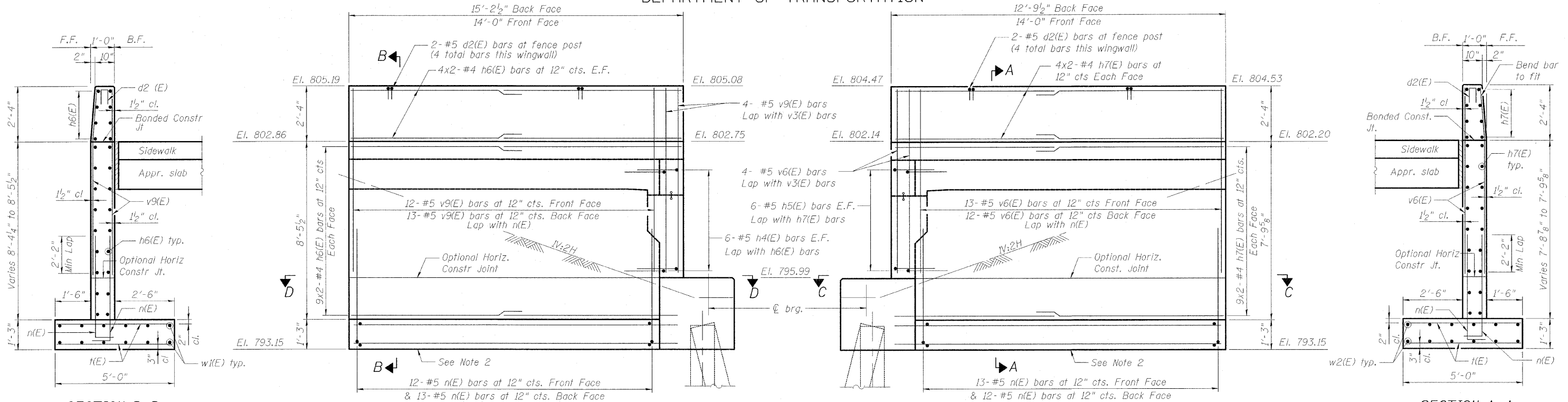
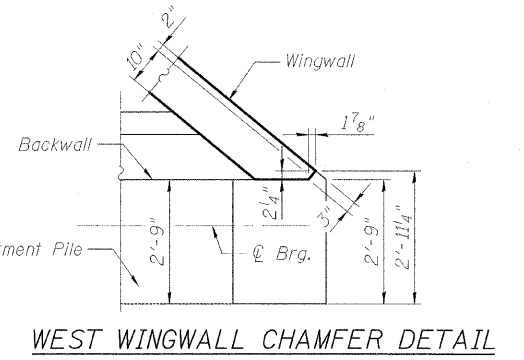


STATE OF ILLINOIS  
DEPARTMENT OF TRANSPORTATION



- NOTES**
- See Sheet S-32 of S-34 for wingwall drain and backfill details.
  - Wingwall shall be poured on level undisturbed soil that is free from organics. Footing shall not be placed on frozen ground or if standing water exists. The Contractor shall verify that the undisturbed soil has a minimum bearing capacity of 2,500 P.S.F.



DESIGNED	- TAH
CHECKED	- DF
DRAWN	- LAM
CHECKED	- TAH

BOWMAN, BARRETT & ASSOCIATES INC.  
CONSULTING ENGINEERS  
Chicago, Illinois  
312.228.0100  
www.bbainc.com  
Job No. 910

SHEET NO. S-34	F.A.U. RTE. 3887	SECTION R-VB-R	COUNTY KANE	TOTAL SHEETS 83	SHEET NO. 64
CONTRACT NO. 60C06					
FED. ROAD DIST. NO. 1 ILLINOIS FED. AID PROJECT					