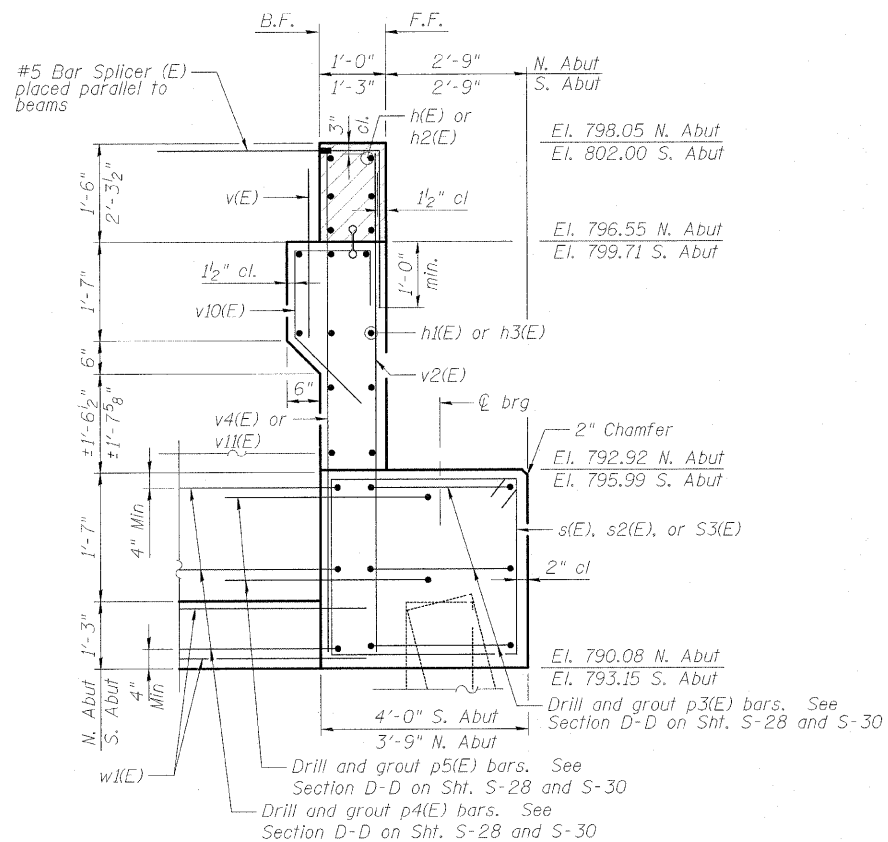
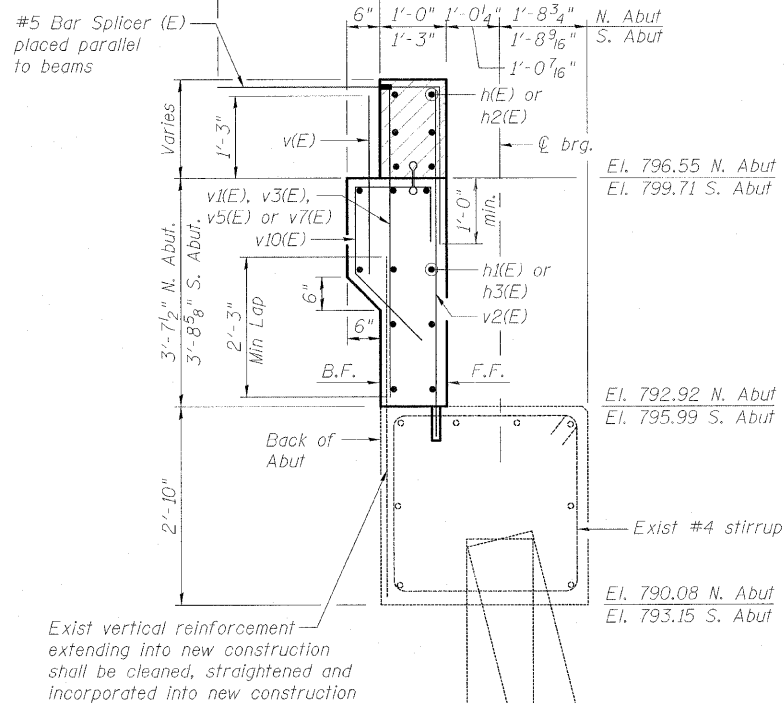


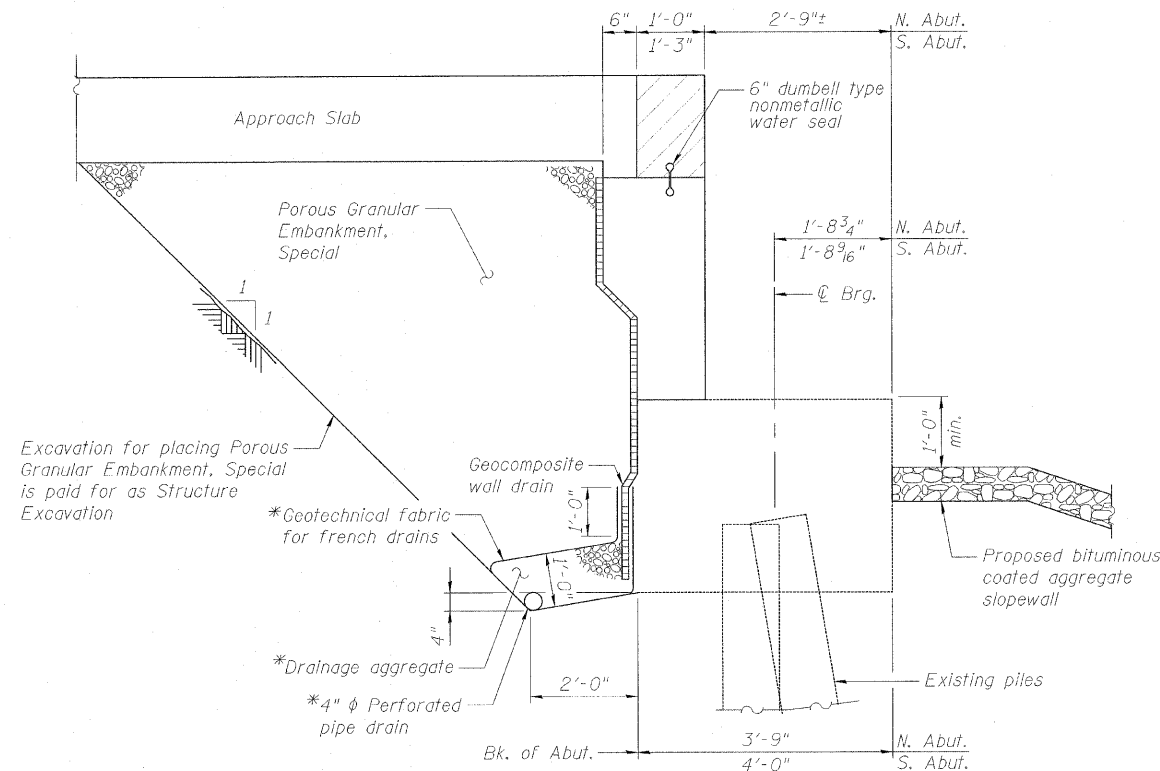
STATE OF ILLINOIS
DEPARTMENT OF TRANSPORTATION



SECTION A-A

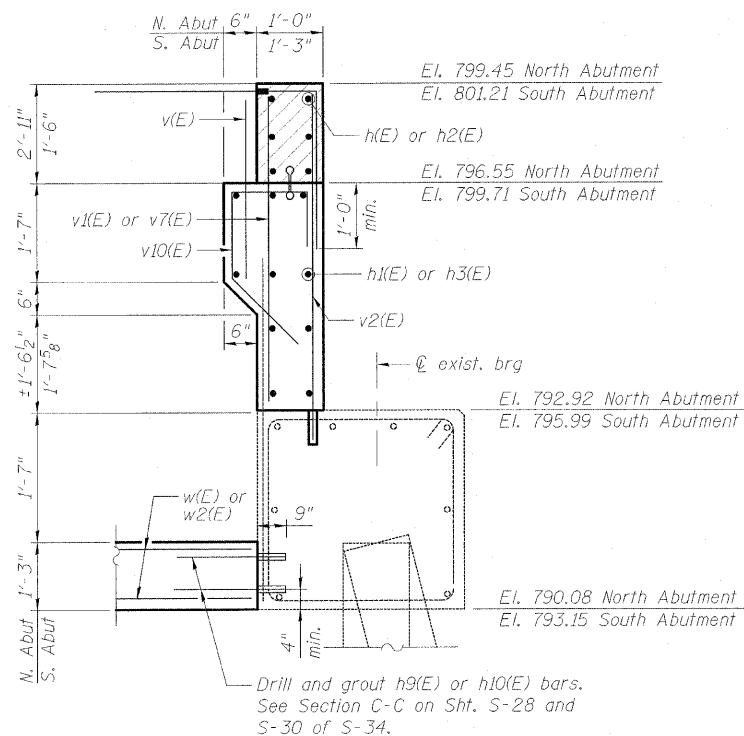


SECTION B-B

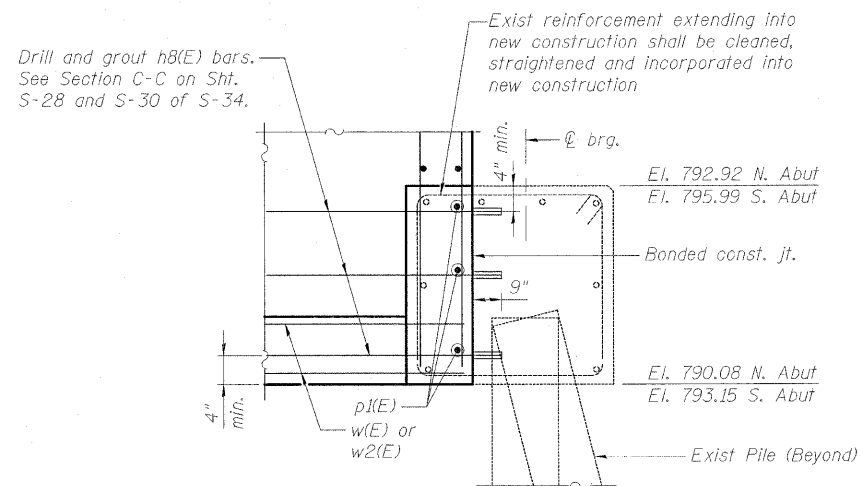


SECTION THRU ABUTMENT

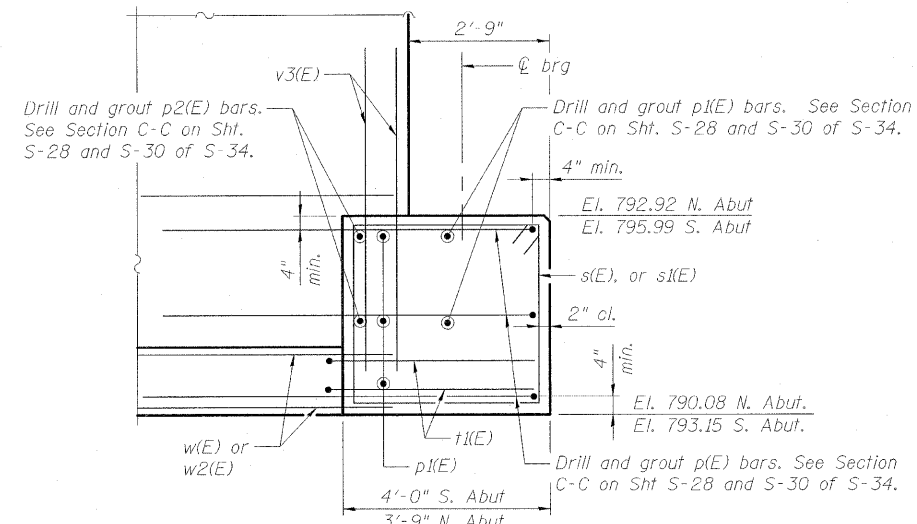
Dimensions are shown at right angles to the abutment
* Cost included with Pipe Underdrains for Structures 4"



SECTION C-C



SECTION D-D



SECTION E-E

NOTES

Any existing reinforcement damaged during removal of backwall shall be replaced with the equivalent size of drilled and epoxy grouted bars. Cost shall be included with Reinforcement Bars, Epoxy Coated.

Concrete Sealer shall be applied to the front face of the backwall and to the top and front face of the new abutment pile cap.

| |
|----------------|
| DESIGNED - TAH |
| CHECKED - DF |
| DRAWN - LAM |
| CHECKED - TAH |

BOWMAN, BARRETT & ASSOCIATES INC.
CONSULTING ENGINEERS
Chicago, Illinois
312.228.0100
www.bbainc.com
Job. No. 910

| | | | | | |
|---|---------------------|-------------------|----------------|--------------------|-----------------|
| SHEET NO. S-31 S-34 SHEETS | F.A.U. RTE. 3887 | SECTION R-VB-R | COUNTY KANE | TOTAL SHEETS 83 | SHEET NO. 65 |
| | CONTRACT NO. 60C06 | | | | |
| FED. ROAD DIST. NO. 1 ILLINOIS FED. AID PROJECT | | | | | |

ABUTMENT DETAILS I
STRUCTURE NO. 045-0016