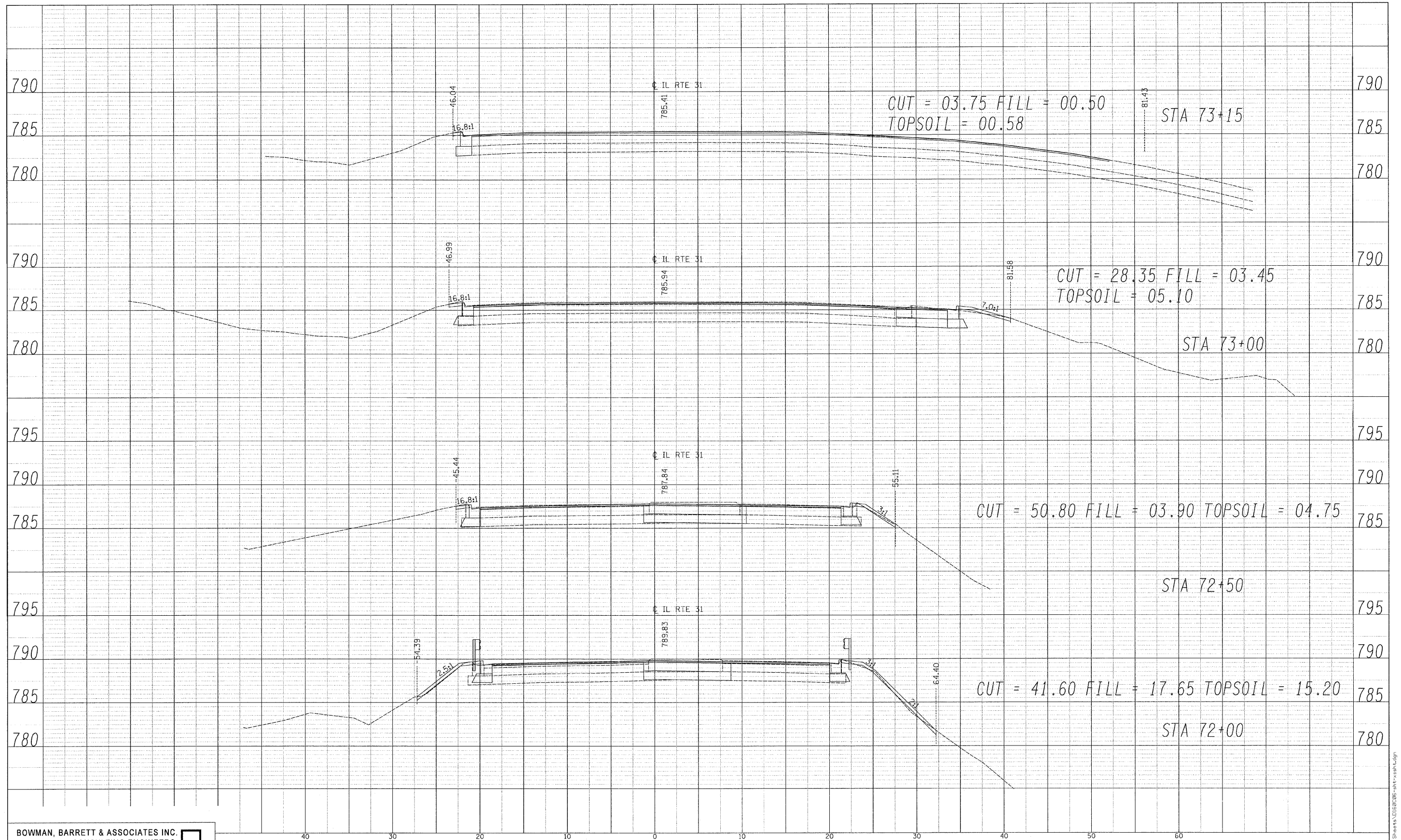


DATE	
BY	
PLAN	
SUBMITTED	
PLOTTED	
GRADES CHECKED	
STRUCTURE NOTATION/US MK'G	
NOTE BOOK NO.	
CADD FILE NAME	

DATE	
BY	
PROFILE	
SUBMITTED	
PLOTTED	
GRADES CHECKED	
STRUCTURE NOTATION/US MK'G	
NOTE BOOK NO.	
CADD FILE NAME	



BOWMAN, BARRETT & ASSOCIATES INC.
CONSULTING ENGINEERS
Chicago, Illinois
312.228.0100
www.bbandainc.com

FILE NAME = D:\160C06-aht-xasht.dgn	USER NAME = default	DESIGNED -	REVISED -
		DRAWN -	REVISED -
		CHECKED -	REVISED -
		DATE - 07/01/2011	REVISED -

STATE OF ILLINOIS
DEPARTMENT OF TRANSPORTATION

ILLINOIS ROUTE 31 CROSS SECTIONS

SCALE: HOR 1"=10'
VERT 1"=5'

SHEET NO. 06 OF 06 SHEETS STA. TO STA.

F.A. RTE. 3887	SECTION R-VB-R	COUNTY KANE	TOTAL SHEETS 83	SHEET NO. 83
CONTRACT NO. 60C06			ILLINOIS FED. AID PROJECT	

D:\160C06-aht-xasht.dgn