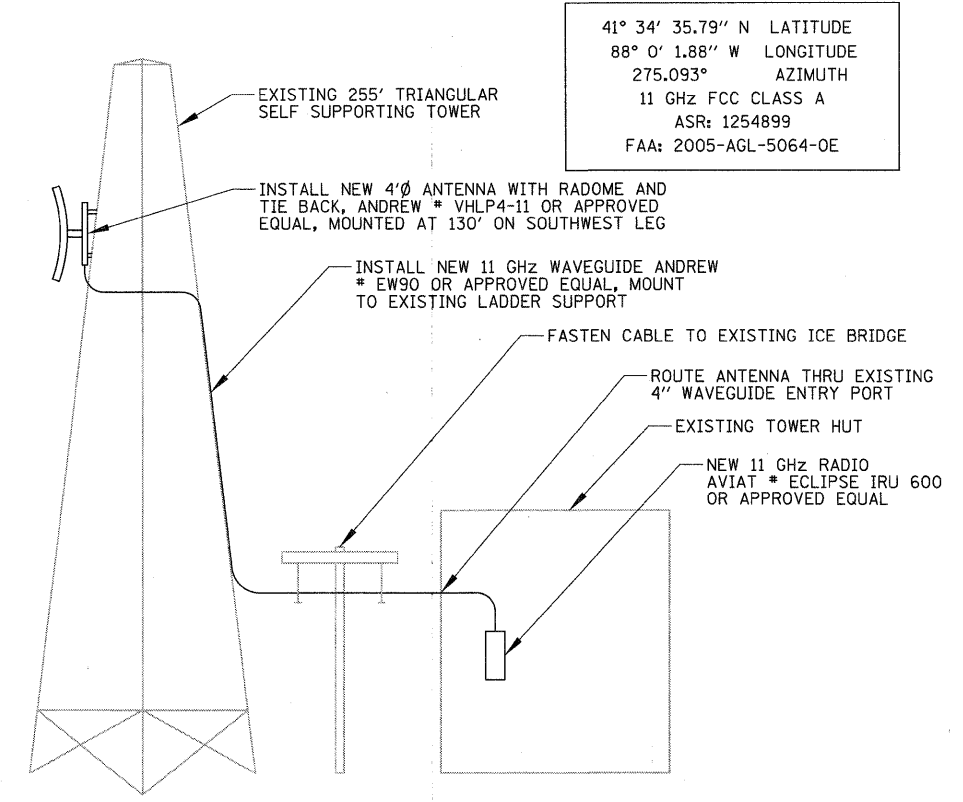


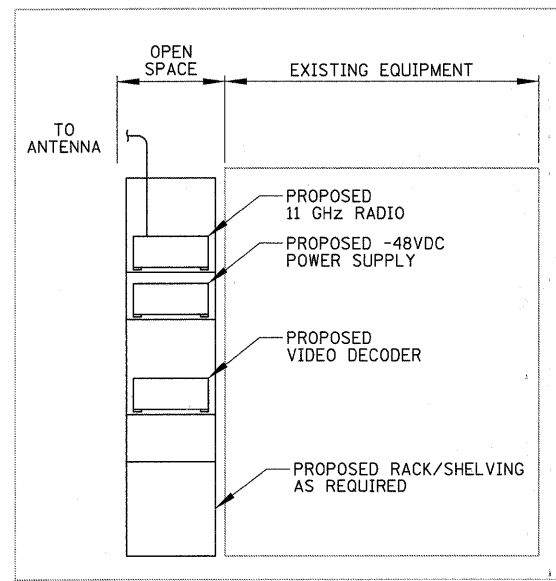
41° 34' 56.26" N LATITUDE
 88° 4' 57.19" W LONGITUDE
 95.093° AZIMUTH
 11 GHZ FCC CLASS A
 ASR: 1008062
 FAA: 95-AGL-2356-0E

RADIO & ANTENNA DETAIL – ISP DISTRICT 5 (JOLIET)
 N.T.S.



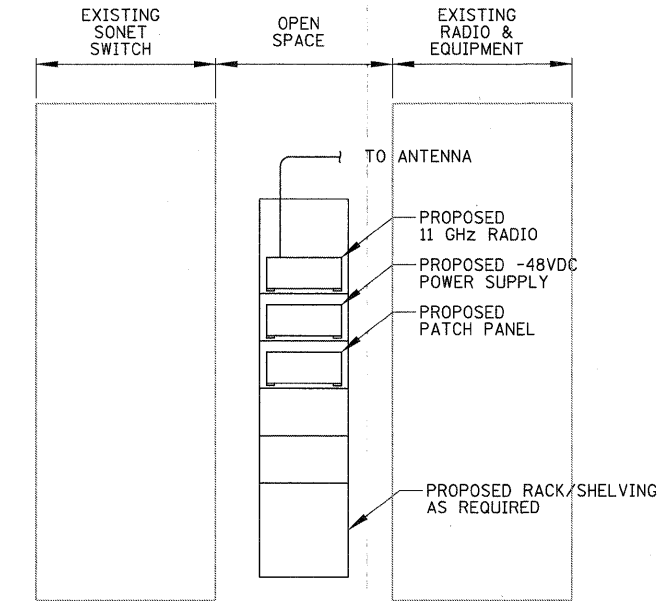
41° 34' 35.79" N LATITUDE
 88° 0' 1.88" W LONGITUDE
 275.093° AZIMUTH
 11 GHZ FCC CLASS A
 ASR: 1254899
 FAA: 2005-AGL-5064-0E

RADIO & ANTENNA DETAIL – ISTHA PLAZA 99
 N.T.S.



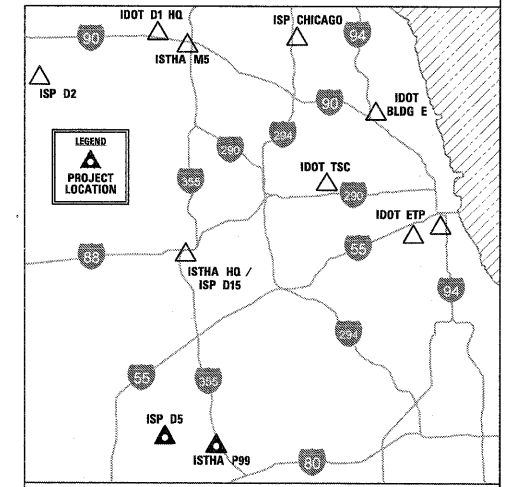
TRANSMITTER ROOM – CENTER AISLE NORTH ELEVATION

EQUIPMENT LAYOUT DETAIL – ISP DISTRICT 5 (JOLIET)
 N.T.S.



TOWER HUT – CENTER AISLE SOUTH ELEVATION

EQUIPMENT LAYOUT DETAIL – ISTHA PLAZA 99
 N.T.S.



CHRISTOPHER B. BURKE ENGINEERING, LTD.
 9575 W. Higgins Road, Suite 600
 Rosemont, Illinois 60018
 (847) 823-0500

FILE NAME =	USER NAME = ADERICCO	DESIGNED = AJD	REVISED = -
N:\Idot\090122\Mech\090122_AntennaDetails_02.sht		DRAWN = KWB	REVISED = -
	PLOT SCALE = 20'	CHECKED = JPC	REVISED = -
	PLOT DATE = 5/12/2011	DATE = 5/12/2011	REVISED = -

STATE OF ILLINOIS DEPARTMENT OF TRANSPORTATION		ITS CENTER-TO-CENTER INTEGRATION PROJECT			
		RADIO, ANTENNA, & EQUIPMENT DETAILS – ISP DIST. 5 / ISTHA PLAZA 99			
SCALE: N.T.S.	SHEET NO. OF SHEETS	STA. TO STA.			

F.A. RTE.	SECTION	COUNTY	TOTAL SHEETS	SHEET NO.
	2009-0871	VARIES	17	13
CONTRACT NO. 60134				
ILLINOIS FED. AID PROJECT				