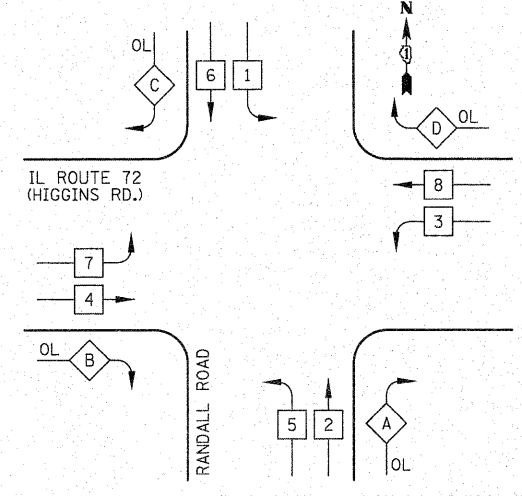
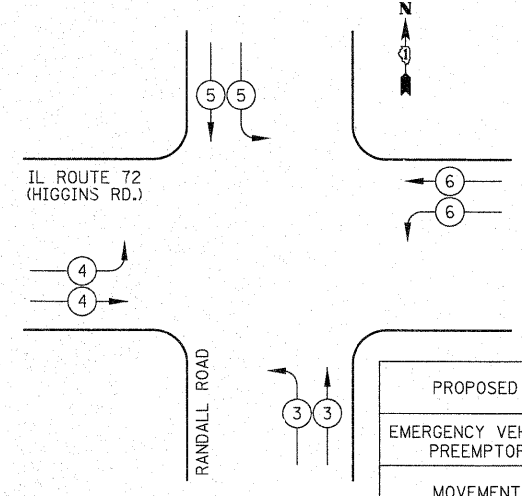


PROPOSED CONTROLLER SEQUENCE

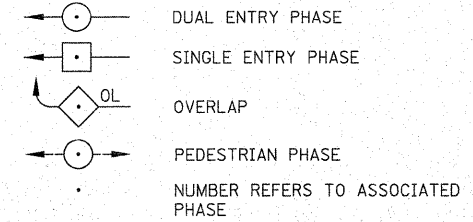


PROPOSED EMERGENCY VEHICLE PREEMPTION SEQUENCE



PROPOSED EMERGENCY VEHICLE PREEMPTORS				
EMERGENCY VEHICLE PREEMPTOR	3	4	5	6
MOVEMENT				

LEGEND



PHASE DESIGNATION DIAGRAM

RIGHT TURN OVERLAP PHASE DESIGNATION

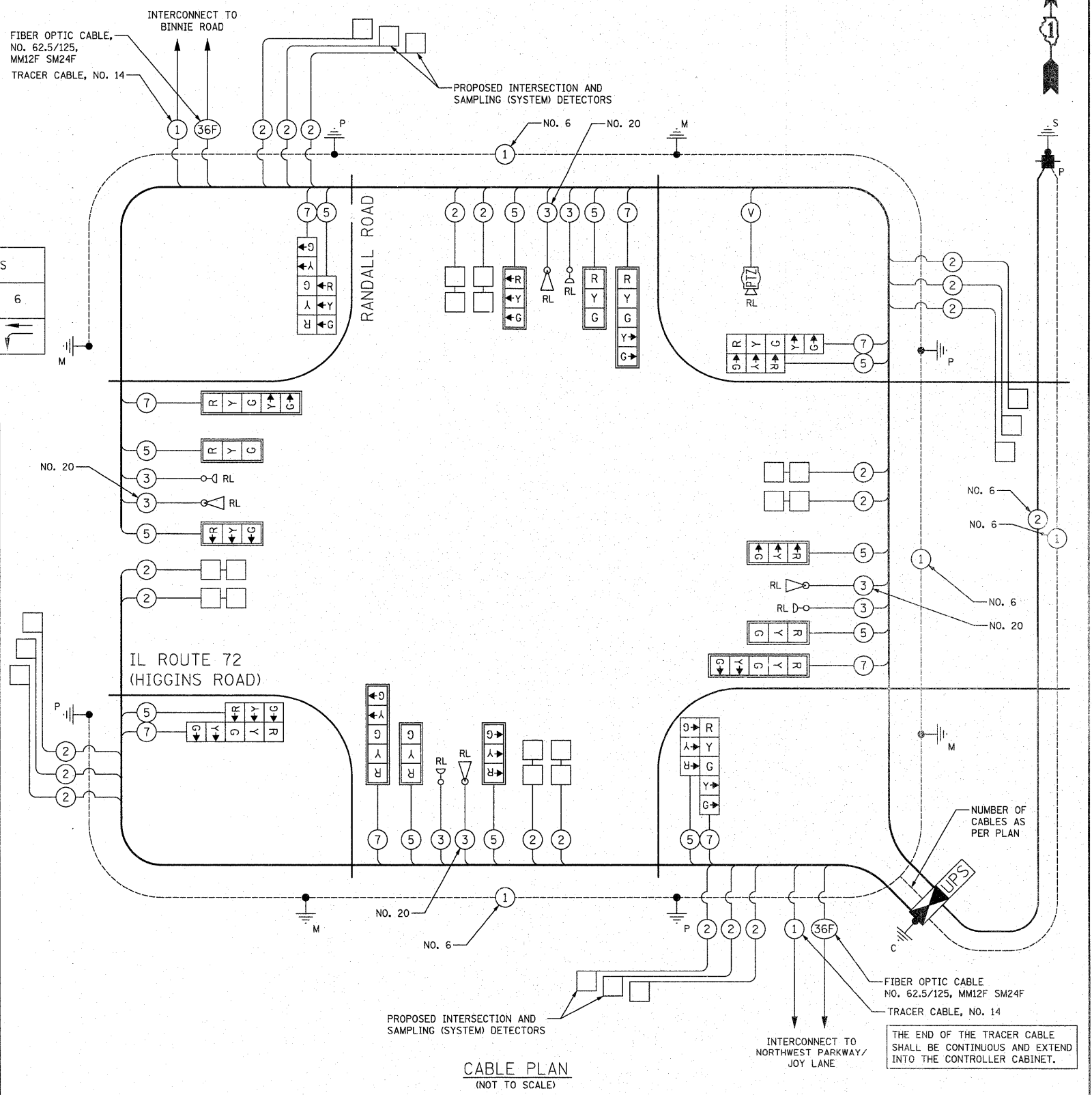
OVERLAP LETTER	PERMISSIVE PHASE	PROTECTED PHASE
A	= 2	+ 3
B	= 4	+ 5
C	= 6	+ 7
D	= 8	+ 1

- NOTES:**
- PHASES 2 AND 6 SHALL BE PLACED ON MINIMUM RECALL.
 - THE ANTI-BACKUP FEATURE FOR PHASES 1 AND 5 SHALL BE DISABLED.

SCHEDULE OF QUANTITIES

PAY ITEM	UNIT	QNTY.
SIGN PANEL - TYPE 1	SQ FT	55
SIGN PANEL - TYPE 2	SQ FT	25
CONDUIT IN TRENCH, 2" DIA., GALVANIZED STEEL	FOOT	1101
CONDUIT IN TRENCH, 2 1/2" DIA., GALVANIZED STEEL	FOOT	81
CONDUIT IN TRENCH, 3" DIA., GALVANIZED STEEL	FOOT	76
CONDUIT IN TRENCH, 4" DIA., GALVANIZED STEEL	FOOT	144
CONDUIT PUSHED, 2" DIA., GALVANIZED STEEL	FOOT	391
CONDUIT PUSHED, 4" DIA., GALVANIZED STEEL	FOOT	522
HANDHOLE	EACH	6
HEAVY-DUTY HANDHOLE	EACH	4
DOUBLE HANDHOLE	EACH	2
TRENCH AND BACKFILL FOR ELECTRICAL WORK	FOOT	1352
FULL-ACTUATED CONTROLLER AND TYPE IV CABINET, SPECIAL	EACH	1
ELECTRIC CABLE IN CONDUIT, SIGNAL NO. 14 3C	FOOT	1139
ELECTRIC CABLE IN CONDUIT, SIGNAL NO. 14 5C	FOOT	3164
ELECTRIC CABLE IN CONDUIT, SIGNAL NO. 14 7C	FOOT	1469
ELECTRIC CABLE IN CONDUIT, LEAD-IN, NO. 14 1 PAIR	FOOT	6984
ELECTRIC CABLE IN CONDUIT, SERVICE, NO. 6 2C	FOOT	192
TRAFFIC SIGNAL POST, GALVANIZED STEEL 16 FT.	EACH	4
STEEL MAST ARM ASSEMBLY AND POLE, 50 FT.	EACH	1
STEEL MAST ARM ASSEMBLY AND POLE, 54 FT.	EACH	1
STEEL MAST ARM ASSEMBLY AND POLE, 55 FT.	EACH	1
STEEL COMBINATION MAST ARM ASSEMBLY AND POLE, 55 FT.	EACH	1
CONCRETE FOUNDATION, TYPE A	FOOT	16
CONCRETE FOUNDATION, TYPE C	FOOT	4
CONCRETE FOUNDATION, TYPE E 36-INCH DIAMETER	FOOT	60
SIGNAL HEAD, LED, 1-FACE, 3-SECTION, MAST-ARM MOUNTED	EACH	8
SIGNAL HEAD, LED, 1-FACE, 5-SECTION, MAST-ARM MOUNTED	EACH	4
SIGNAL HEAD, LED, 2-FACE, 1-3 SECTION, 1-5 SECTION, BRACKET MOUNTED	EACH	4
TRAFFIC SIGNAL BACKPLATE, LOUVERED, ALUMINUM	EACH	12
INDUCTIVE LOOP DETECTOR	EACH	20
DETECTOR LOOP, TYPE I	FOOT	914
TEMPORARY TRAFFIC SIGNAL INSTALLATION	EACH	1
RELOCATE EXISTING TRAFFIC SIGNAL EQUIPMENT	EACH	2
RELOCATE EXISTING EMERGENCY VEHICLE PRIORITY SYSTEM, DETECTOR UNIT	EACH	4
RELOCATE EXISTING EMERGENCY VEHICLE PRIORITY SYSTEM, PHASING UNIT	EACH	1
REMOVE EXISTING TRAFFIC SIGNAL EQUIPMENT	EACH	1
REMOVE EXISTING HANDHOLE	EACH	12
REMOVE EXISTING CONCRETE FOUNDATION	EACH	9
REMOVE EXISTING FLASHING BEACON INSTALLATION COMPLETE	EACH	4
EMERGENCY VEHICLE PRIORITY SYSTEM LINE SENSOR CABLE, NO. 20 3/C	FOOT	1139
SERVICE INSTALLATION - POLE MOUNTED	EACH	1
ELECTRIC CABLE IN CONDUIT, GROUND, NO. 6 1C (GREEN)	FOOT	1172
TEMPORARY TRAFFIC SIGNAL TIMING	EACH	1
VIDEO TRAFFIC MONITORING SYSTEM WITH PTZ CAMERA	EACH	1
ETHERNET MANAGED SWITCH, TYPE 1	EACH	1

*100% COST TO CITY OF ELGIN
 **100% COST TO KANE COUNTY DIVISION OF TRANSPORTATION



CABLE PLAN
(NOT TO SCALE)

THE END OF THE TRACER CABLE SHALL BE CONTINUOUS AND EXTEND INTO THE CONTROLLER CABINET.

NOTE:
 THE TRAFFIC SIGNAL CONTROLLER EQUIPMENT FOR THIS PROJECT SHALL BE "EAGLE" TO MATCH THE EXISTING ADJACENT SYSTEM.

I.D.O.T. TRAFFIC SIGNAL INSTALLATION ELECTRICAL SERVICE REQUIREMENTS					TOTAL WATTAGE
TYPE	NO. LAMPS	WATTAGE INCAND.	LED	% OPERATION	
SIGNAL (RED)	20	17	0.50	170	
(YELLOW)	20	25	0.25	125	
(GREEN)	20	15	0.25	75	
ARROW	16	12	0.10	19	
PED. SIGNAL	-	25	1.00	-	
CONTROLLER	1	100	1.00	100	
PTZ CAMERA	1	100	1.00	100	
FLASHER			0.50		
TOTAL =				589	

ENERGY COSTS TO: ILLINOIS DEPARTMENT OF TRANSPORTATION
 201 WEST CENTER COURT
 SCHAUMBURG, IL 60196-1096
 ENERGY SUPPLY: CONTACT: MIKE LENOX
 PHONE: (815) 490-2869
 COMPANY: COM ED

FILE NAME = ...XP110008-07_Cable_Plan.dgn	USER NAME = brd	DESIGNED - BRD	REVISED -
PLOT SCALE = 20.0000' / in.	CHECKED - JJE	DRAWN - OJT	REVISED -
PLOT DATE = 3/25/2011	DATE - 03/25/2011	REVISIONS	REVISED -

STATE OF ILLINOIS
DEPARTMENT OF TRANSPORTATION

IL ROUTE 72 (HIGGINS RD) AT RANDALL ROAD
CABLE PLAN, PHASE DESIGNATION DIAGRAM, EMERGENCY VEHICLE PREEMPTION SEQUENCE AND SCHEDULE OF QUANTITIES

F.A.P. RTE. 341	SECTION 62-N-1	COUNTY KANE	TOTAL SHEETS 148	SHEET NO. 71
FED. ROAD DIST. NO. 7 ILLINOIS FED. AID PROJECT			CONTRACT NO. 60K09	