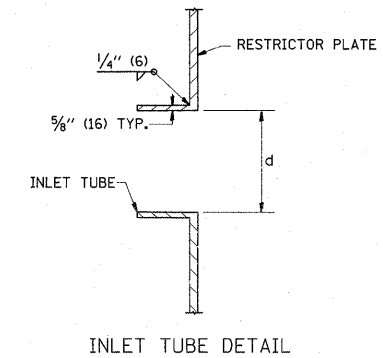
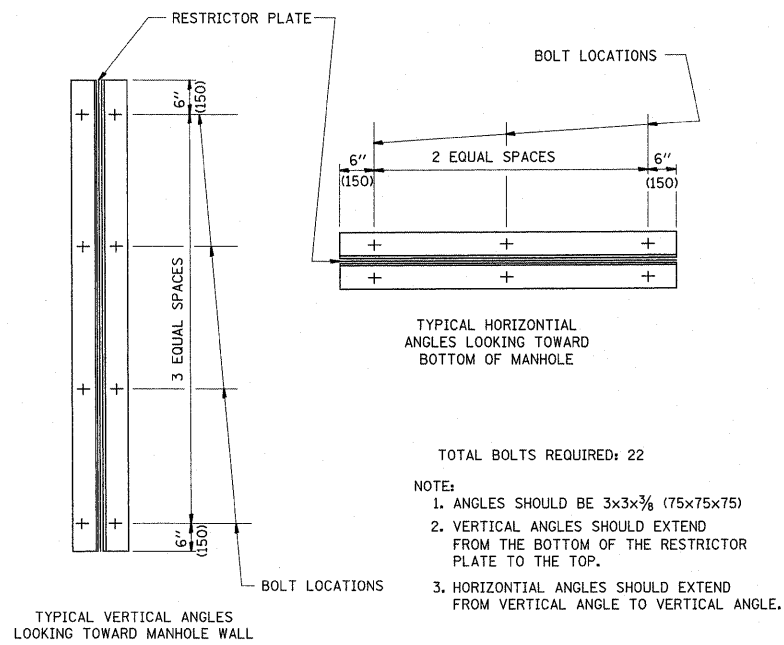


- NOTES:
- ALL STEEL ANGLES AND PLATES TO BE GALVANIZED AFTER FABRICATION.
 - ALL RESTRICTOR PLATES, ANGLES AND HARDWARE TO BE INCLUDED IN THE COST OF THE MANHOLE.
 - BASIS OF PAYMENT: "MANHOLES, TYPE A, 6 FT. (1.8 m)-DIAMETER, TYPE 1 FRAME, CLOSED LID, RESTRICTOR PLATE" EACH



STATION	MANHOLE DIAMETER	FRAME AND GRATE	RESTRICTOR TYPE	INSIDE RESTRICTOR TYPE DIAMETER in. (mm) (d)	INVERT OF RESTRICTOR TYPE	ELEVATION OF TOP OF PLATE OVERFLOW
94+71	5 FT.	T1 F CL	PLATE	12 IN.	905.75	913.12
98+97.7	5 FT.	T1 F CL	PLATE	12 IN.	896.00	903.75
102+85	5 FT.	T1 F CL	PLATE	17.8 IN.	880.40	884.97
204+51	5 FT.	T1 F CL	PLATE	14.5 IN.	887.10	891.29



RESTRICTOR TYPE					
1	2	3	4	5	6
RE-ENTRANT TUBE	SHARP EDGED	SQUARE EDGED	RE-ENTRANT TUBE	SQUARE EDGED	ROUNDED
LENGTH: 1/2 TO 1 DIA.		STREAM CLEARS SIDES	LENGTH: 2-1/2 DIA.	LENGTH: 2-1/2 DIA.	
C=.52	C=.61	C=.61	C=.73	C=.82	C=.98

VALUES OF "C" FOR CIRCULAR AND SQUARE ORIFICES

STATE OF ILLINOIS
DEPARTMENT OF TRANSPORTATION

MANHOLE WITH
RESTRICTOR PLATE

ALL DIMENSIONS ARE IN INCHES (MILLIMETERS) UNLESS OTHERWISE SHOWN.

FILE NAME =	USER NAME = shiransb	DESIGNED - R. SHAH	REVISED - R. SHAH 10-25-94	STATE OF ILLINOIS DEPARTMENT OF TRANSPORTATION	MANHOLE WITH RESTRICTOR PLATE	F.A.P. R.T.E.	SECTION	COUNTY	TOTAL SHEETS	SHEET NO.
cr:\pv_work\p\ridot\shiransb\d0126931\01st.dgn	DRAWN -	REVISED - E. GOMEZ 08-28-00	341			62-N-1	KANE	148	93	
PLOT SCALE = 50.0000' / IN.	CHECKED -	REVISED - M. GOMEZ 01-08-01	BD600-04 (BD-12) CONTRACT NO. 60K09							
PLOT DATE = 6/1/2011	DATE - 09-09-94	REVISED -	FED. ROAD DIST. NO. 1 ILLINOIS FED. AID PROJECT							