

F.A. RTE.	SECTION	COUNTY	TOTAL SHEETS	SHEET NO.
VAR.	2010-077-1	VAR.	21	1
FED. ROAD DIST. NO 1	ILLINOIS	CONTRACT NO. 60L65		

STATE OF ILLINOIS
DEPARTMENT OF TRANSPORTATION
DIVISION OF HIGHWAYS

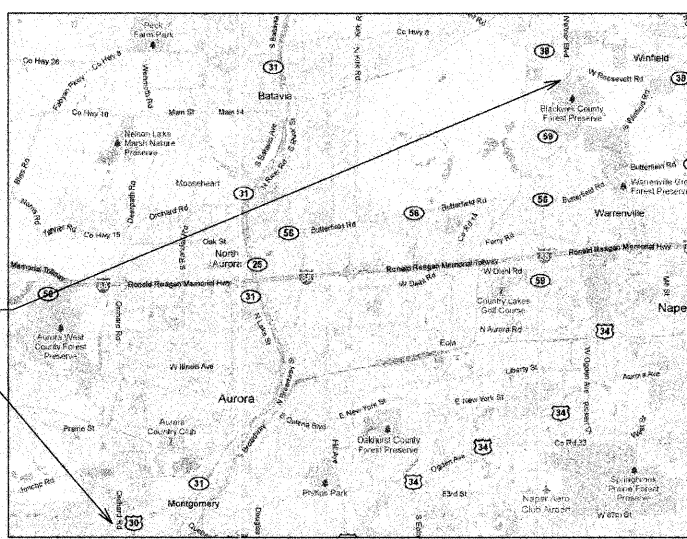
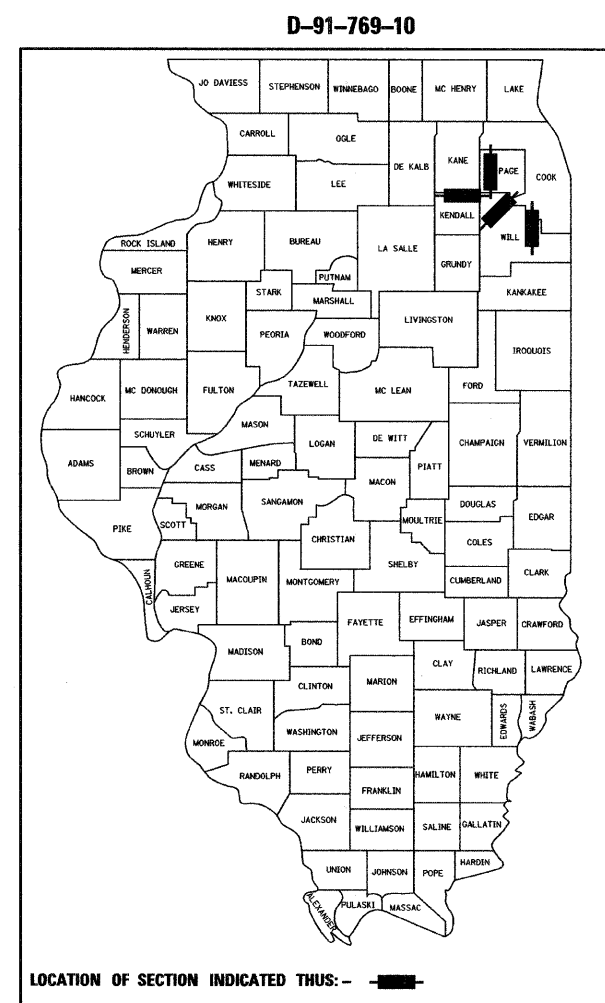
**PROPOSED
HIGHWAY PLANS**

VARIOUS ROUTES
SECTION 2010-077-1
VARIOUS LOCATIONS
SCOUR COUNTERMEASURES
DUPAGE, WILL, AND KENDALL COUNTIES
C-91-769-10

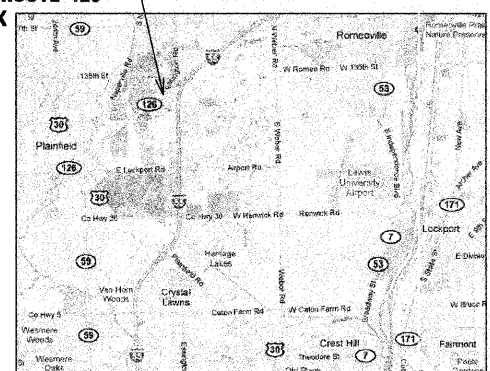
FOR INDEX OF SHEETS, SEE SHEET NO. 2

IMPROVEMENTS LOCATED IN THE
UNINCORPORATED DUPAGE COUNTY
VILLAGE OF PLAINFIELD
VILLAGE OF MONTGOMERY
VILLAGE OF MOKENA

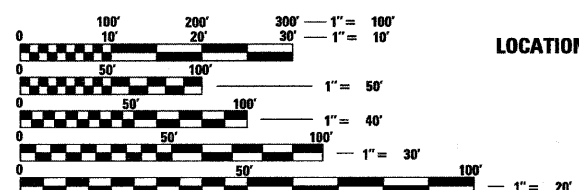
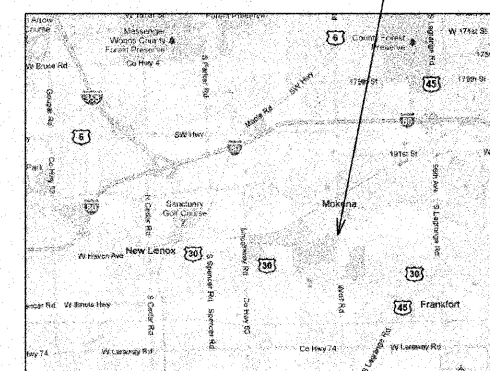
DISTRICT ONE - PLAN PREPARATION ENGINEER: KEN ENG: (847) 705-4247



LOCATION 2: S.N. 099-0262, ILLINOIS ROUTE 126
OVER LILY CACHE CREEK



LOCATION 4: S.N. 099-0271, WOLF ROAD
OVER HICKORY CREEK



FULL SIZE PLANS HAVE BEEN PREPARED USING STANDARD
ENGINEERING SCALES. REDUCED SIZED PLANS WILL NOT
CONFORM TO STANDARD SCALES. IN MAKING MEASUREMENTS
ON REDUCED PLANS, THE ABOVE SCALES MAY BE USED.

J.U.L.I.E.
JOINT UTILITY LOCATION INFORMATION FOR EXCAVATION
1-800-892-0123
OR 811

STATE OF ILLINOIS
DEPARTMENT OF TRANSPORTATION
DIVISION OF HIGHWAYS

SUBMITTED JULY 21 20 11

Diane M. O'Keefe
DEPUTY DIRECTOR OF HIGHWAYS, REGION ENGINEER

August 19 20 11
Scott E. Stitt P.E.
ENGINEER OF DESIGN AND ENVIRONMENT

August 19 20 11
Christine M. Roeder
DIRECTOR OF HIGHWAYS, CHIEF ENGINEER

PROFESSIONAL ENGINEER'S SIGN & SEAL

Christopher M. Henthel

EXPIRES: 11-30-2011

PRINTED BY THE AUTHORITY
OF THE STATE OF ILLINOIS

CONTRACT NO. 60L65

INDEX OF SHEETS

1	COVER SHEET
2	INDEX OF SHEETS, LIST OF STATE STANDARDS, AND GENERAL NOTES SCOUR COUNTERMEASURES
3	SUMMARY OF QUANTITIES
4	LOCATION MAPS
5-6	SCOUR COUNTERMEASURES - ILLINOIS ROUTE 59 OVER KRESS CREEK
7-8	SCOUR COUNTERMEASURES - ILLINOIS ROUTE 126 OVER LILY CACHE CREEK
9-10	SCOUR COUNTERMEASURES - U.S. ROUTE 30 OVER BLACKBERRY CREEK
11-12	SCOUR COUNTERMEASURES - WOLF ROAD OVER HICKORY CREEK
13-16	CROSS SECTIONS SCOUR COUNTERMEASURES
17	TRAFFIC CONTROL AND PROTECTION FOR SIDE ROADS, INTERSECTIONS, AND DRIVEWAYS
18	ARTERIAL ROAD INFORMATION SIGN
19-21	DEWATERING SYSTEM DETAILS SCOUR COUNTERMEASURES

LIST OF STATE STANDARDS

STANDARD NO.	DESCRIPTION
701426-04	LANE CLOSURE, MULTILANE, INTERMITTENT OR MOVING OPER., FOR SPEEDS >= 45 MPH
701501-06	URBAN LANE CLOSURE, 2L, 2W, UNDIVIDED
701502-04	URBAN LANE CLOSURE, 2L, 2W, WITH BIDIRECTIONAL LEFT TURN LANE
701606-07	URBAN LANE CLOSURE, MULTILANE, 2W WITH MOUNTABLE MEDIAN
701901-01	TRAFFIC CONTROL DEVICES

GENERAL NOTES

1. BEFORE STARTING ANY EXCAVATION, THE CONTRACTOR SHALL CALL "JULIE" (JOINT UTILITY LOCATION INFORMATION FOR EXCAVATION) AT 8-1-1 OR (800) 892-0123 FOR FIELD LOCATIONS OF BURIED ELECTRIC, TELEPHONE, AND GAS FACILITIES (48 HOUR NOTIFICATION IS REQUIRED).
2. THE CONTRACTOR WILL NOT BE ALLOWED TO SET UP A YARD OR FIELD OFFICE ON STATE PROPERTY WITHOUT WRITTEN PERMISSION FROM THE DEPARTMENT.
3. EXCAVATION INTO THE STREAM BED FOR STONE RIPRAP INSTALLATION SHALL NOT BE DEEPER THAN THE BOTTOM OF THE FOOTING ON THE PIER OR ABUTMENT TO BE PROTECTED.
4. DEBRIS REMOVAL, IF ENCOUNTERED, SHALL BE INCLUDED IN THE COST OF THE STONE RIPRAP.
5. IT SHALL BE THE CONTRACTORS RESPONSIBILITY TO VERIFY ALL DIMENSIONS & CONDITIONS EXISTING IN THE FIELD PRIOR TO CONSTRUCTION ORDERING OF MATERIAL.
6. THE CONTRACTOR SHALL CONTACT THE DISTRICT ONE ARTERIAL TRAFFIC CONTROL SUPERVISOR AT (847) 705-4470 A MINIMUM OF 72 HOURS IN ADVANCE OF BEGINNING WORK.
7. ALL AREAS (INCLUDING WETLAND AREAS) OUTSIDE THE LIMITS OF RIPRAP PLACEMENT AND/OR EXCAVATION WHICH ARE DISTURBED (WHERE EXISTING SOIL CONTOURS HAVE BEEN ALTERED AND/OR EXISTING VEGETATION HAD BEEN DESTROYED BY THE CONTRACTORS OPERATIONS) SHALL BE RESTORED BY REGRADING TO THE ORIGINAL CONTOURS AND/OR SEEDING WITH SEEDING, CLASS 4, AND MULCHING WITH EROSION CONTROL BLANKETS. PLACE TEMPORARY SEEDING AND TEMPORARY EROSION CONTROL BLANKETS AS NEEDED. THIS WORK WILL NOT BE PAID FOR SEPERATELY, BUT THE COSTS SHALL BE CONSIDERED INCLUDED IN THE CONTRACT UNIT PRICES FOR THE CONSTRUCTION ITEMS INVOLVED, AND NO ADDITIONAL COMPENSATION WILL BE ALLOWED.
8. THE CONTRACTOR IS ADVISED TO AVOID OR MINIMIZE ANY DISTURBANCE TO EXISTING VEGETATION OUTSIDE THE LIMITS OF RIPRAP PLACEMENT AND CHANNEL EXCAVATION.
9. THE CONTRACTOR MUST PROTECT PAVEMENT WHEN DUMPING RIPRAP ONTO PAVEMENT AND WILL BE RESPONSIBLE FOR RESTORING PAVEMENT MARKINGS.
10. ANY GUARDRAIL OR SIGNS DAMAGED BY THE CONTRACTOR'S OPERATIONS SHALL BE REPLACED IN KIND AT THE CONTRACTORS EXPENSE.
11. THE CONTRACTOR SHALL BE REQUIRED TO PROVIDE ACCESS TO ABUTTING PROPERTY AT ALL TIMES DURING THE CONSTRUCTION OF THIS PROJECT.
12. DO NOT SCALE PLANS FOR CONSTRUCTION DIMENSIONS.
13. THE CONTRACTOR SHALL SUBMIT DEWATERING AND SEDIMENT CONTROL PLANS FOR EACH SITE TO THE ENGINEER FOR APPROVAL.
14. THE CONTRACTOR SHALL CONTACT THE ENGINEER AFTER DEWATERING FOR FINAL RIPRAP OR SLOPE MATTRESS PLACEMENT.
15. NIGHT TIME CLOSURES WILL NOT BE REQUIRED FOR THIS PROJECT.
16. UNLESS OTHERWISE NOTED, EXCAVATION OF MATERIAL REQUIRED TO INSTALL STONE RIPRAP OR SLOPE MATTRESS SHALL BE INCLUDED IN THE ITEM BEING INSTALLED.

COMMITMENTS

NONE

COMPANY NAME: HRGreen.com
 PROJECT CONTACT: S. PERNAL
 CLIENT: ILLINOIS DEPARTMENT OF TRANSPORTATION
 DATE PLOTTED: 7/19/2011 4:23:08 PM
 FILE NAME: 86100196.03-60L65-00n.dgn
 PEN TABLE: Standard-Trans.tbl



HRGreen.com
 Illinois Professional Design Firm
 #154-001322

USER NAME = S. PERNAL	DESIGNED - C. HARTKE	REVISED -
	DRAWN - S. PERNAL	REVISED -
PLOT SCALE =	CHECKED - T. HAMILTON	REVISED -
PLOT DATE = 7/19/2011	DATE - 7/19/11	REVISED -

STATE OF ILLINOIS
 DEPARTMENT OF TRANSPORTATION

INDEX OF SHEETS, LIST OF STATE STANDARDS, AND GENERAL NOTES
 SCOUR COUNTERMEASURES

SCALE: SHEET NO. 1 OF 1 SHEETS STA. TO STA.

F.A. RTE.	SECTION	COUNTY	TOTAL SHEETS	SHEET NO.
VAR.	2010-077-1	VAR.	21	2
FED. ROAD DIST. NO.			ILLINOIS FED. AID PROJECT	
			CONTRACT NO. 60L65	

SUMMARY OF QUANTITIES			URBAN 100% STATE TOTAL QUANTITY	0014			
CODE NO.	ITEM	UNIT		LOCATION 1 IL RTE 59 DUPAGE CO	LOCATION 2 IL RTE 126 WILL CO	LOCATION 3 US RTE 30 KENDALL CO	LOCATION 4 WOLF WILL CO
20300100	CHANNEL EXCAVATION	CU YD	8		6.5		1.5
28100107	STONE RIPRAP, CLASS A4	SQ YD	902	323	187	392	
28200200	FILTER FABRIC	SQ YD	1740	483	411	686	160
28400100	GABIONS	CU YD	35		8	8	19
28401000	SLOPE MATTRESS 12"	SQ YD	478		140	178	160
67000400	ENGINEER'S FIELD OFFICE, TYPE A	CAL MO	4	1	1	1	1
67100100	MOBILIZATION	L SUM	1	0.25	0.25	0.25	0.25
70102620	TRAFFIC CONTROL AND PROTECTION, STANDARD 701501	L SUM	1		0.5		0.5
70102622	TRAFFIC CONTROL AND PROTECTION, STANDARD 701502	L SUM	1			1	
70102625	TRAFFIC CONTROL AND PROTECTION, STANDARD 701606	L SUM	1	1			
X0301852	DEWATERING STRUCTURE NO. 1	EACH	1	1			
X0301853	DEWATERING STRUCTURE NO. 2	EACH	1		1		
X0301854	DEWATERING STRUCTURE NO. 3	EACH	1			1	
X0301855	DEWATERING STRUCTURE NO. 4	EACH	1				1
Z0030850	TEMPORARY INFORMATION SIGNING	SQ FT	205.6	51.4	51.4	51.4	51.4

• SPECIALTY ITEMS

COMPANY NAME: #COMPANY/NAME/
 PROJECT CONTACT: #PROJECT/CONTACT/
 CLIENT: #CLIENT/
 DATE PLOTTED: 7/19/2011 4:48:07 PM
 PLOT SCALE: #SCALE/
 PLOT ORIGIN: #ORIGIN/
 PEN TABLE: #PEN TABLE/
 86009640-60L65-sum.dgn
 etransp-Trans.tbl



USER NAME = SPernal	DESIGNED - C. HARTKE	REVISED -
PLOT SCALE = N/A	DRAWN - S. PERNAL	REVISED -
PLOT DATE = 7/19/2011	CHECKED - T. HAMILTON	REVISED -
	DATE - 7/19/11	REVISED -

STATE OF ILLINOIS
 DEPARTMENT OF TRANSPORTATION

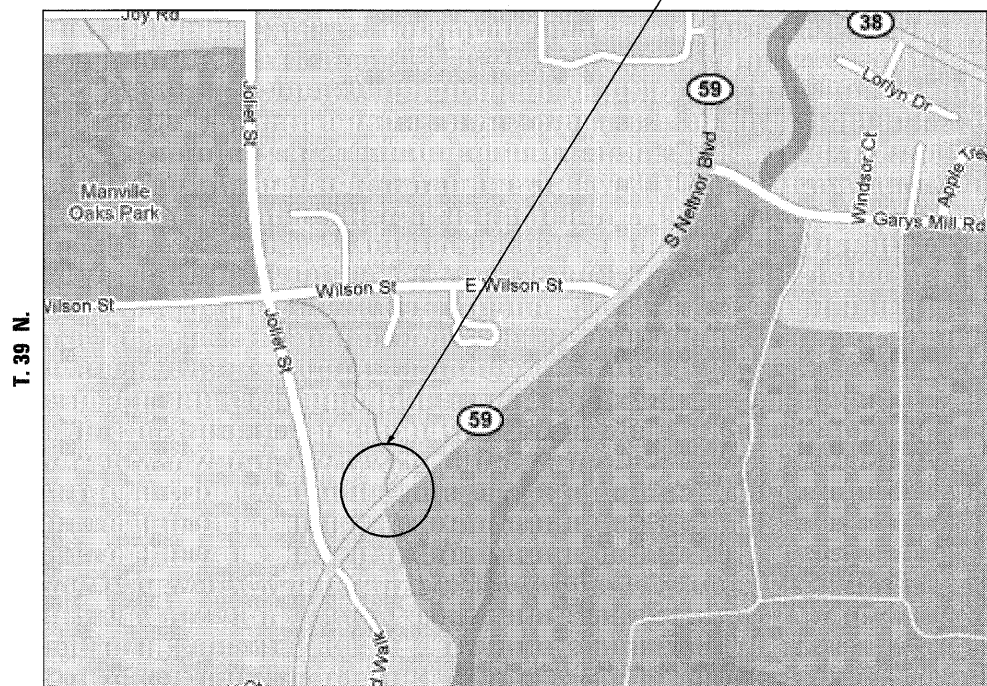
SUMMARY OF QUANTITIES	
SCALE: N/A	SHEET NO. 1 OF 1 SHEETS STA. TO STA.

F.A. RTE.	SECTION	COUNTY	TOTAL SHEETS	SHEET NO.
VAR.	2010-077-1	VAR.	21	3
FED. ROAD DIST. NO. ILLINOIS FED. AID PROJECT			CONTRACT NO. 60L65	

Rev

TRAFFIC DATA
 SPEED LIMIT = 50 MPH
 2009 ADT = 25,900

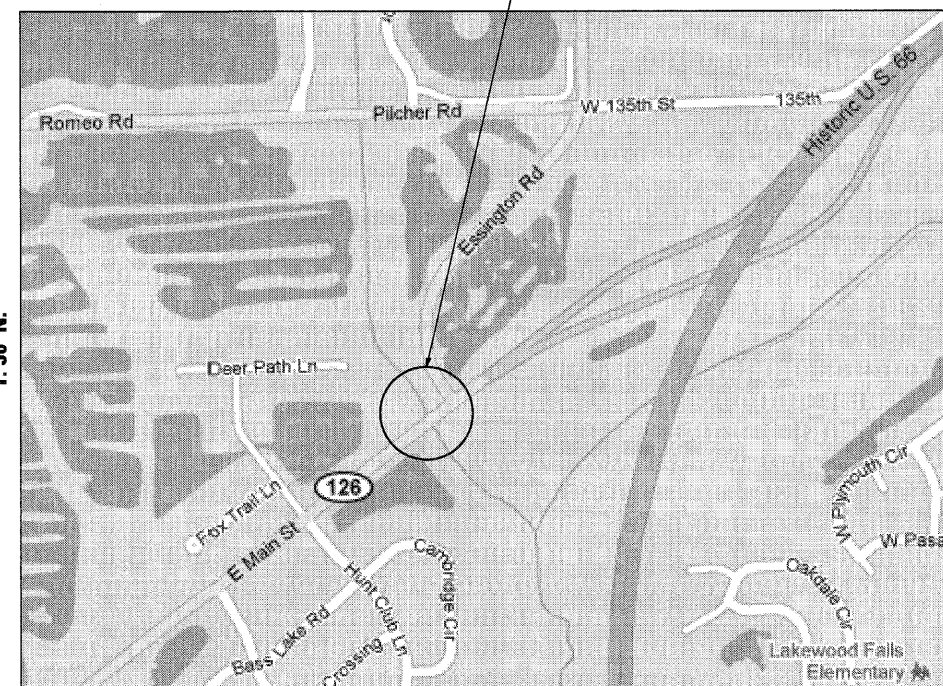
LOCATION 1 - DUPAGE COUNTY
 STRUCTURE NUMBER: 022-0037
 ILLINOIS ROUTE 59 OVER KRESS CREEK
 LOCATED IN WINFIELD TOWNSHIP
 UINCORPORATED DUPAGE COUNTY



R. 9 E.

TRAFFIC DATA
 SPEED LIMIT = 55 MPH
 2009 ADT = 16,500

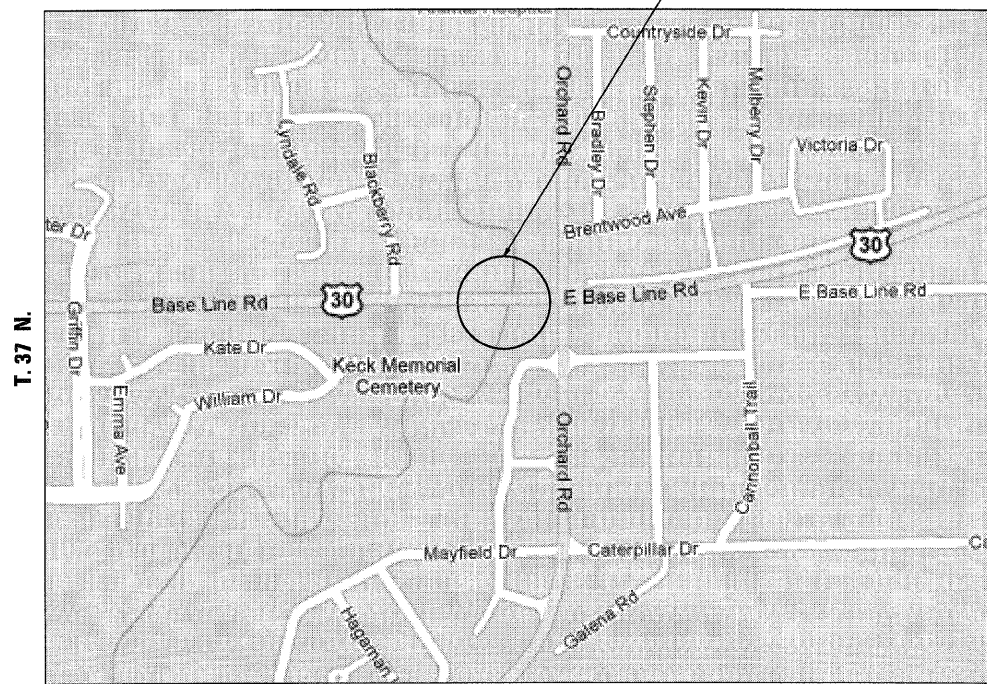
LOCATION 2 - WILL COUNTY
 STRUCTURE NUMBER: 099-0262
 ILLINOIS ROUTE 126 OVER LILY CACHE CREEK
 LOCATED IN PLAINFIELD TOWNSHIP
 VILLAGE OF PLAINFIELD



R. 9 E.

TRAFFIC DATA
 SPEED LIMIT = 55 MPH
 2009 ADT = 15,800

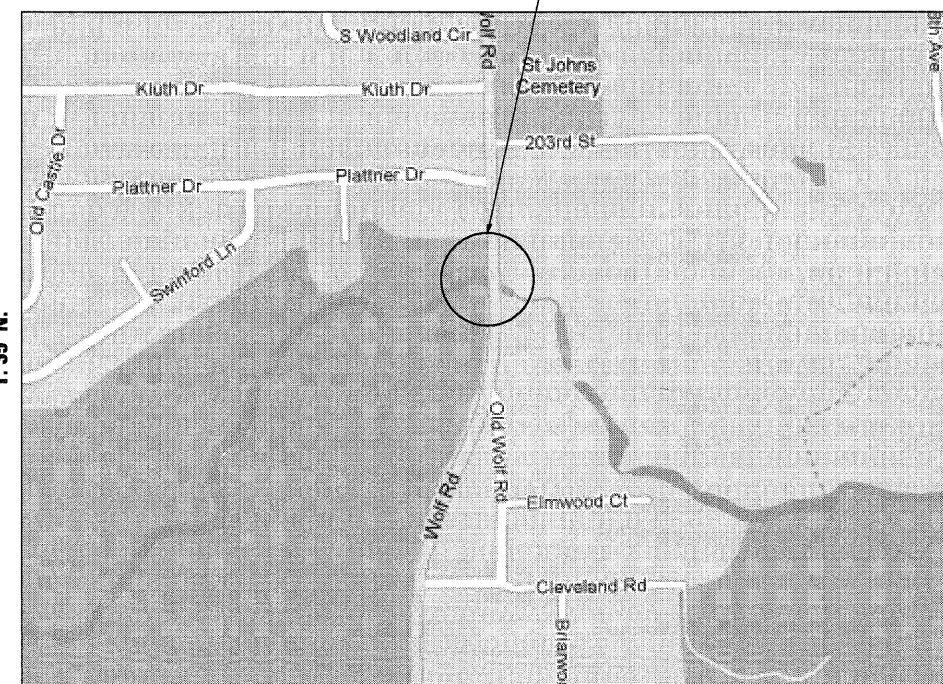
LOCATION 3 - KENDALL COUNTY
 STRUCTURE NUMBER: 047-0029
 U.S. ROUTE 30 OVER BLACKBERRY CREEK
 LOCATED IN BRISTOL TOWNSHIP
 VILLAGE OF MONTGOMERY



R. 7 E.

TRAFFIC DATA
 SPEED LIMIT = 45 MPH
 2008 ADT = 12,100

LOCATION 4 - WILL COUNTY
 STRUCTURE NUMBER: 099-0271
 WOLF ROAD OVER HICKORY CREEK
 LOCATED IN FRANKFORT TOWNSHIP
 VILLAGE OF MOKENA



R. 12 E.

COMPANY NAME: HRGreen.com
 PROJECT CONTACT: #PROJECT_CONTACT
 CLIENT: #CLIENT
 DATE PLOTTED: 7/20/2011 8:53:23 AM
 PLOT DRIVER: #PLOT_DRIVER
 PEN TABLE: STANDARD-TRANS.TBL



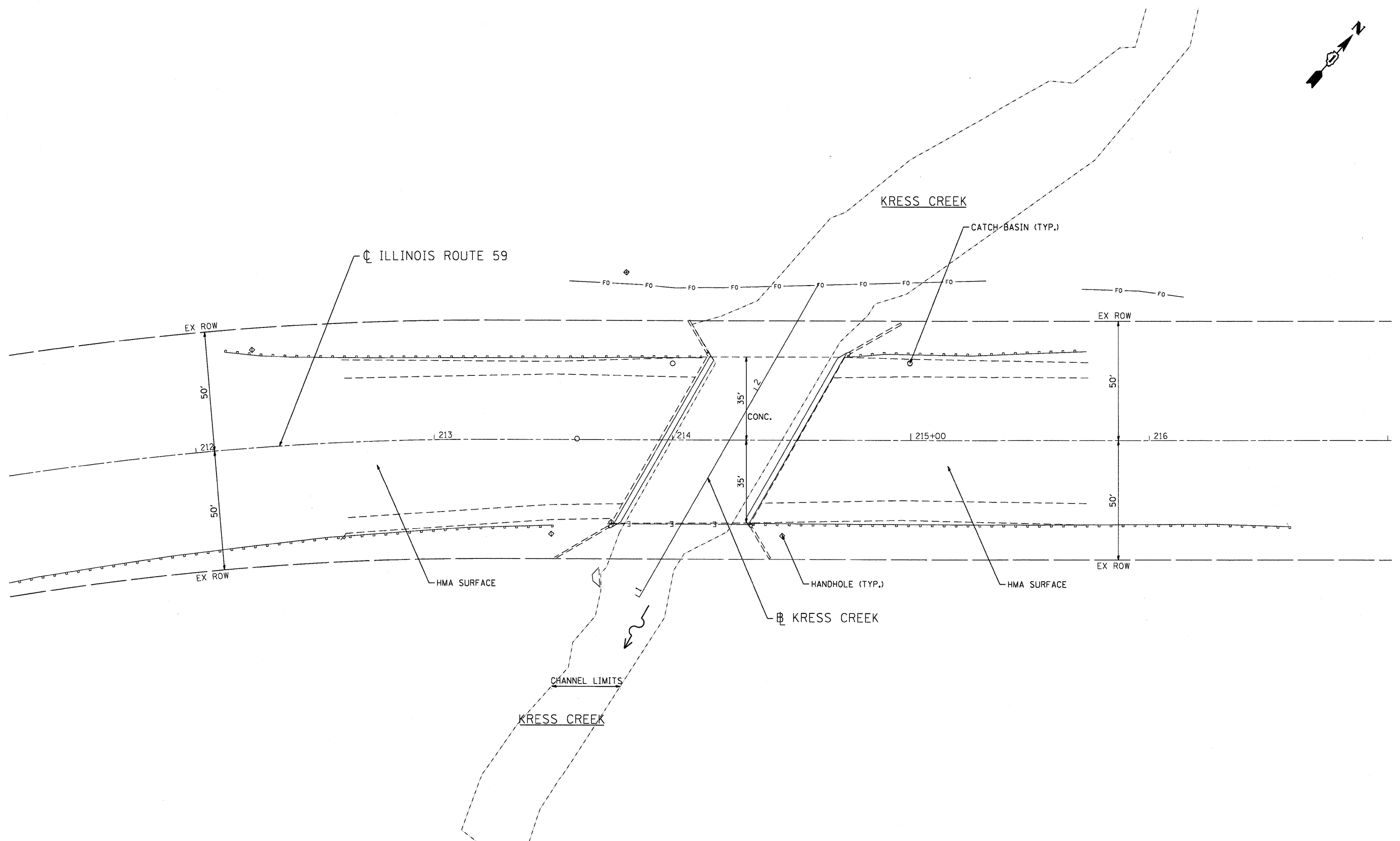
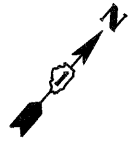
USER NAME = SPernal	DESIGNED - C. HARTKE	REVISED -
PLOT SCALE = N/A	DRAWN - S. PERNAL	REVISED -
PLOT DATE = 7/20/2011	CHECKED - T. HAMILTON	REVISED -
	DATE - 7/20/11	REVISED -

STATE OF ILLINOIS
 DEPARTMENT OF TRANSPORTATION

LOCATION MAPS
 SCOUR COUNTERMEASURES

SCALE: N/A SHEET NO. 1 OF 1 SHEETS STA. TO STA.

F.A. RTE.	SECTION	COUNTY	TOTAL SHEETS	SHEET NO.
VAR.	2010-077-1	VAR.	21	4
FED. ROAD DIST. NO.		ILLINOIS FED. AID PROJECT		
		CONTRACT NO. 60L65		



COMPANY NAME: HRGreen.com
 PROJECT CONTACT: S. PERNAL
 CLIENT: ILLINOIS DEPARTMENT OF TRANSPORTATION
 FILE NAME: 60L65-03-60L65-s1r-01.dgn
 PLOT DRIVER: perf.ctb
 PEN TABLE: standard-frans.tbl



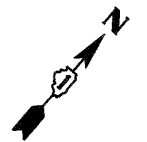
USER NAME = SPernal	DESIGNED - C. HARTKE	REVISED -
PLOT SCALE = 1"=20'	DRAWN - S. PERNAL	REVISED -
PLOT DATE = 7/19/2011	CHECKED - T. HAMILTON	REVISED -
	DATE - 7/19/11	REVISED -

STATE OF ILLINOIS
DEPARTMENT OF TRANSPORTATION

SITE PLAN ILLINOIS ROUTE 59 OVER KRESS CREEK	
SCALE: 1"=20'	SHEET NO. 1 OF 2 SHEETS
STA. 212+00 TO STA. 216+00	

F.A. RTE.	SECTION	COUNTY	TOTAL SHEETS	SHEET NO.
VAR.	2010-077-1	VAR.	21	5
SN. 022-0077		CONTRACT NO. 60L65		
FED. ROAD DIST. NO. ILLINOIS FED. AID PROJECT				

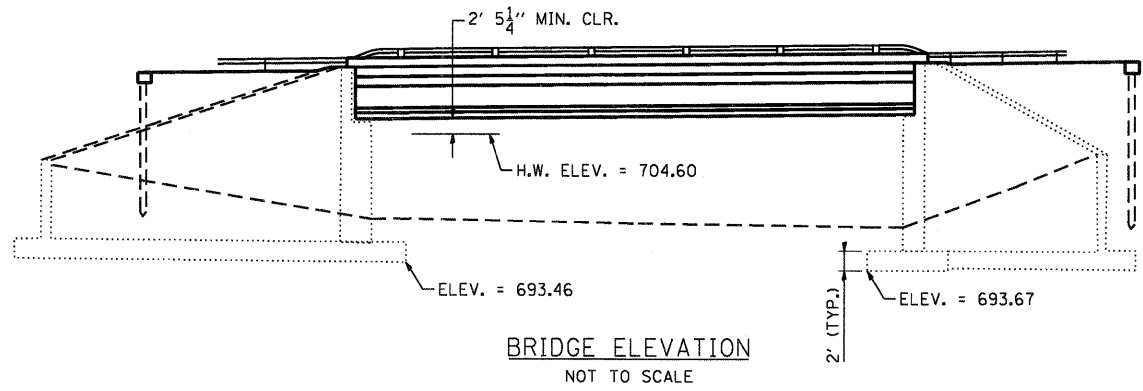
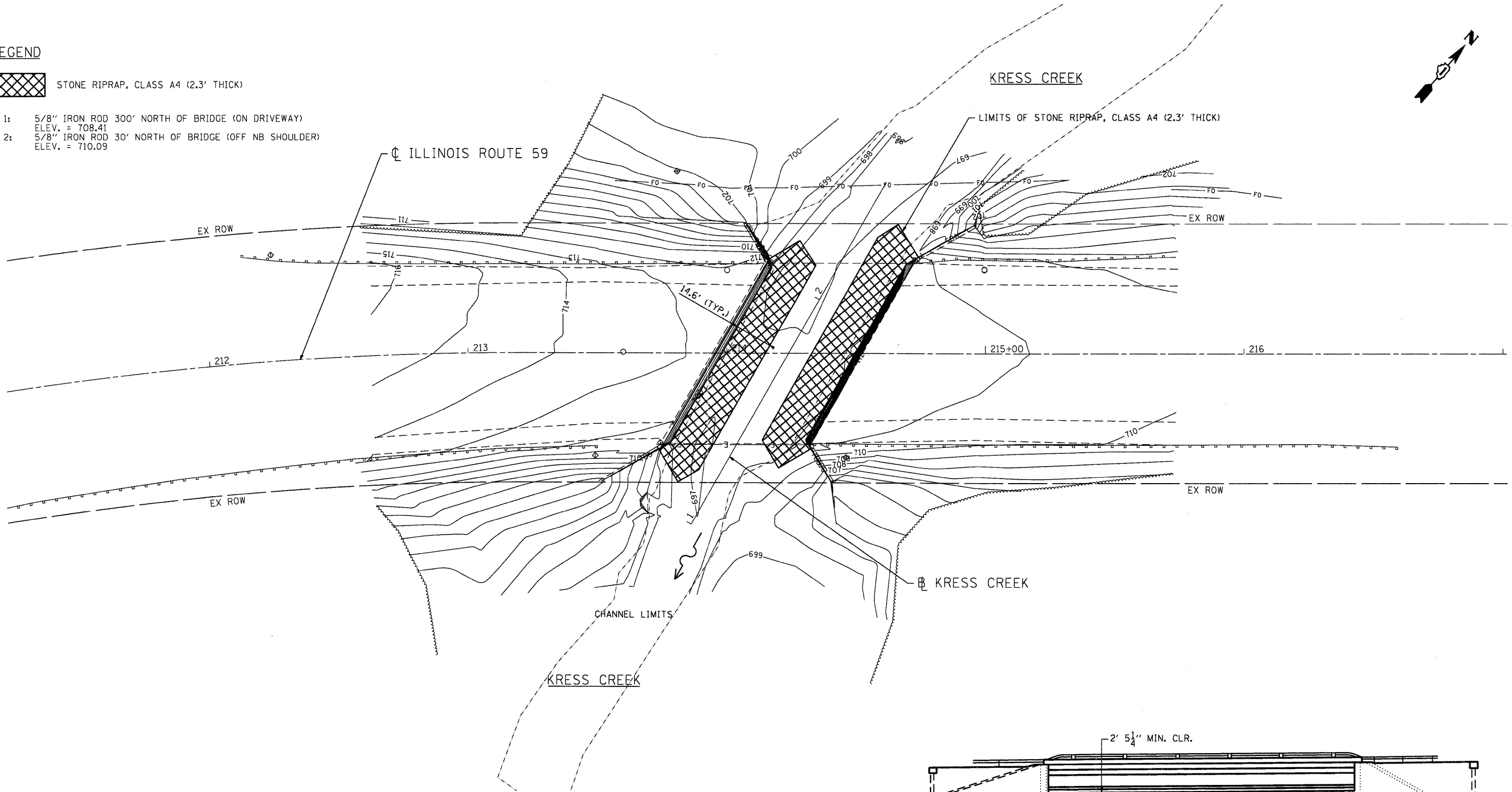
06/01/06 03:00:00
 06/01/06 03:00:00
 06/01/06 03:00:00



LEGEND

 STONE RIPRAP, CLASS A4 (2.3' THICK)

BM 1: 5/8" IRON ROD 300' NORTH OF BRIDGE (ON DRIVEWAY)
ELEV. = 708.41
BM 2: 5/8" IRON ROD 30' NORTH OF BRIDGE (OFF NB SHOULDER)
ELEV. = 710.09



ACCESS TO THIS SITE IS LIMITED. THE CONTRACTOR SHALL ONLY ACCESS THIS SITE BY RAISING AND/OR LOWERING ALL EQUIPMENT AND MATERIAL OVER THE SIDES OF THE BRIDGE. THE CONTRACTOR WILL NOT BE ALLOWED OTHER ACCESS WITHOUT WRITTEN PERMISSION FROM THE ENGINEER. THIS WORK WILL NOT BE PAID FOR SEPARATELY, BUT SHALL BE CONSIDERED AS INCLUDED IN THE CONTRACT UNIT PRICES FOR THE CONSTRUCTION ITEMS INVOLVED AND NO ADDITIONAL COMPENSATION WILL BE ALLOWED.

COMPANY NAME: HRGreen
 PROJECT CONTACT: S. PERNAL
 CLIENT: HRGreen
 DATE PLOTTED: 7/19/2011 3:09:36 PM
 FILE NAME: 022-0037-01.dgn
 PLOT DATE: 7/19/2011
 PEN TABLE: standard-props.tbl



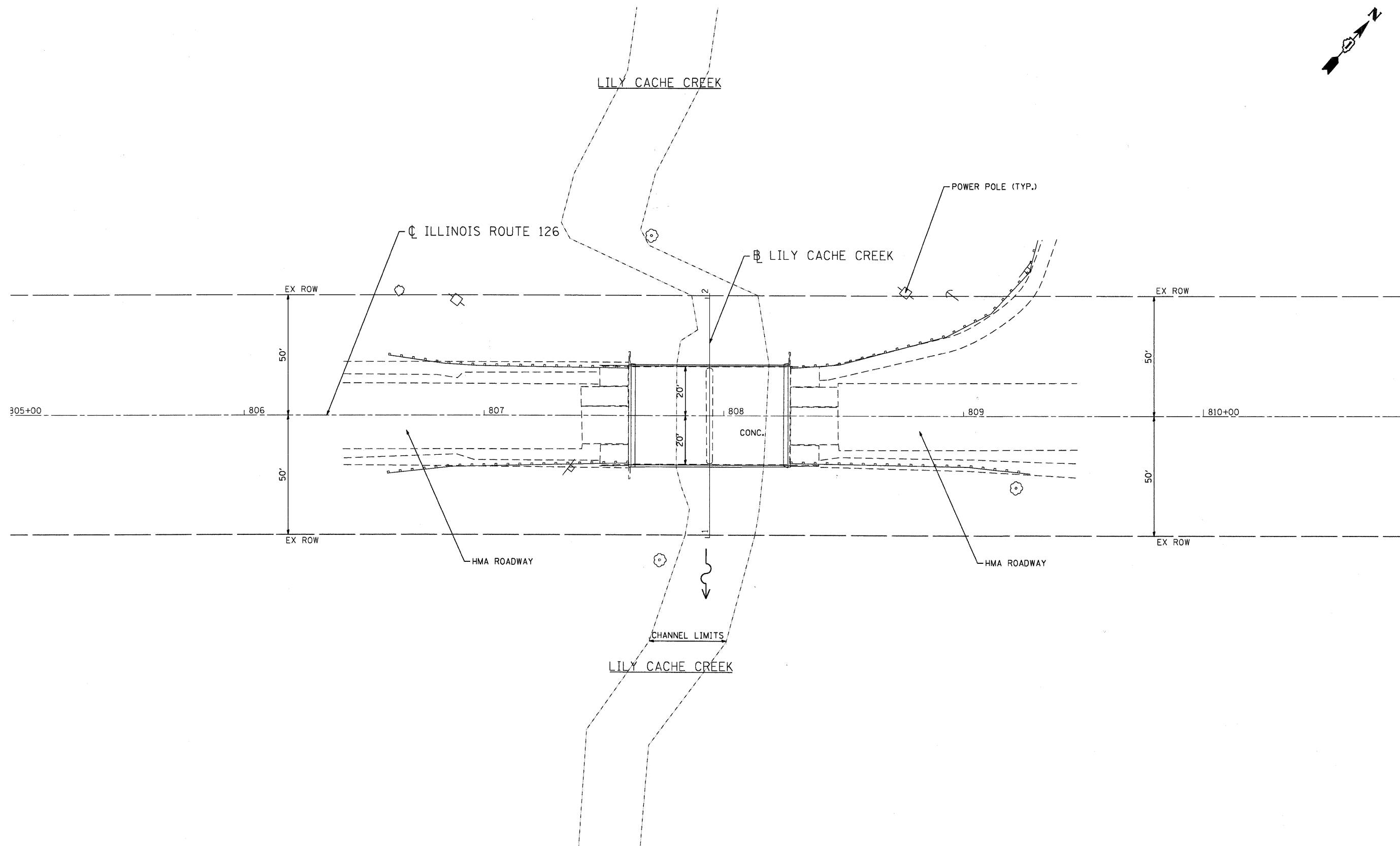
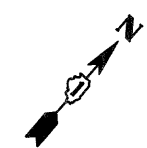
USER NAME = SPernal	DESIGNED - C. HARTKE	REVISED -
PLOT SCALE = 1"=20'	DRAWN - S. PERNAL	REVISED -
PLOT DATE = 7/19/2011	CHECKED - T. HAMILTON	REVISED -
	DATE - 7/19/11	REVISED -

**STATE OF ILLINOIS
DEPARTMENT OF TRANSPORTATION**

**EROSION AND SEDIMENT CONTROL PLAN
ILLINOIS ROUTE 59 OVER KRESS CREEK**

SCALE: 1"=20' SHEET NO. 2 OF 2 SHEETS STA. 212+00 TO STA. 216+00

F.A. RTE.	SECTION	COUNTY	TOTAL SHEETS	SHEET NO.
VAR.	2010-077-1	VAR.	21	6
SW 022-0037		CONTRACT NO. 60L65		
FED. ROAD DIST. NO.		ILLINOIS FED. AID PROJECT		



COMPANY NAME: #COMPANY_NAME/
 PROJECT CONTACT: #PROJECT_CONTACT/
 CLIENT: #CLIENT/
 DATE PLOTTED: 7/19/2011 3:09:38 PM
 FILE NAME: 8610036600-60L65-s11e-02.dgn
 PLOT DATE: 7/19/2011
 PEN TABLE: Standard-Trans.tbl

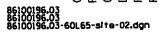


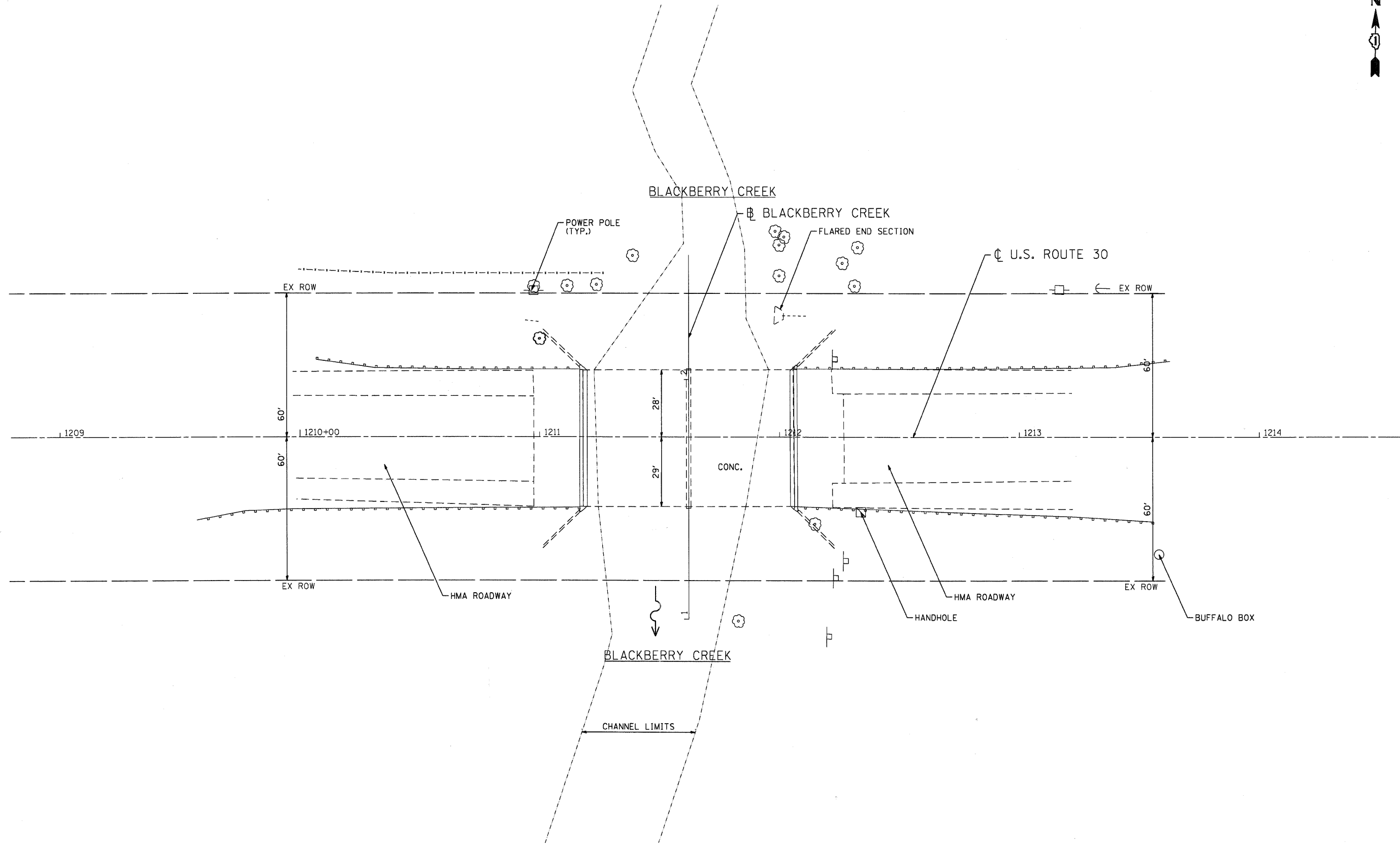
USER NAME = SPernal	DESIGNED - C. HARTKE	REVISED -
PLOT SCALE = 1"=20'	DRAWN - S. PERNAL	REVISED -
PLOT DATE = 7/19/2011	CHECKED - T. HAMILTON	REVISED -
	DATE - 7/19/11	REVISED -

STATE OF ILLINOIS
DEPARTMENT OF TRANSPORTATION

SITE PLAN ILLINOIS ROUTE 126 OVER LILY CACHE CREEK			
SCALE: 1"=20'	SHEET NO. 1 OF 2 SHEETS	STA. 806+00	TO STA. 810+00

F.A. RTE.	SECTION	COUNTY	TOTAL SHEETS	SHEET NO.
VAR.	2010-077-1	VAR.	21	7
S.D. 098-0262		CONTRACT NO. 60L65		
FED. ROAD DIST. NO.		ILLINOIS FED. AID PROJECT		





COMPANY NAME: HRGreen
 PROJECT CONTACT: S. PERNAL
 CLIENT: ILLINOIS DEPARTMENT OF TRANSPORTATION
 DATE PLOTTED: 7/19/11 3:09:43 PM
 PLOT DRIVER: s:\projects\60L65\site-03.dgn
 PEN TABLE: standard-trans.tbl



USER NAME = SPernal	DESIGNED - C. HARTKE	REVISED -
PLOT SCALE = 1"=20'	DRAWN - S. PERNAL	REVISED -
PLOT DATE = 7/19/2011	CHECKED - T. HAMILTON	REVISED -
	DATE - 7/19/11	REVISED -

STATE OF ILLINOIS
DEPARTMENT OF TRANSPORTATION

SITE PLAN U.S. ROUTE 30 OVER BLACKBERRY CREEK	
SCALE: 1"=20'	SHEET NO. 1 OF 2 SHEETS
STA. 1210+00	TO STA. 1213+00

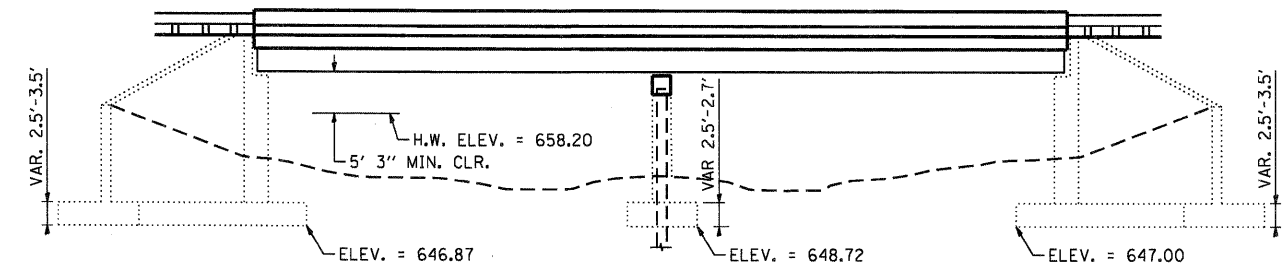
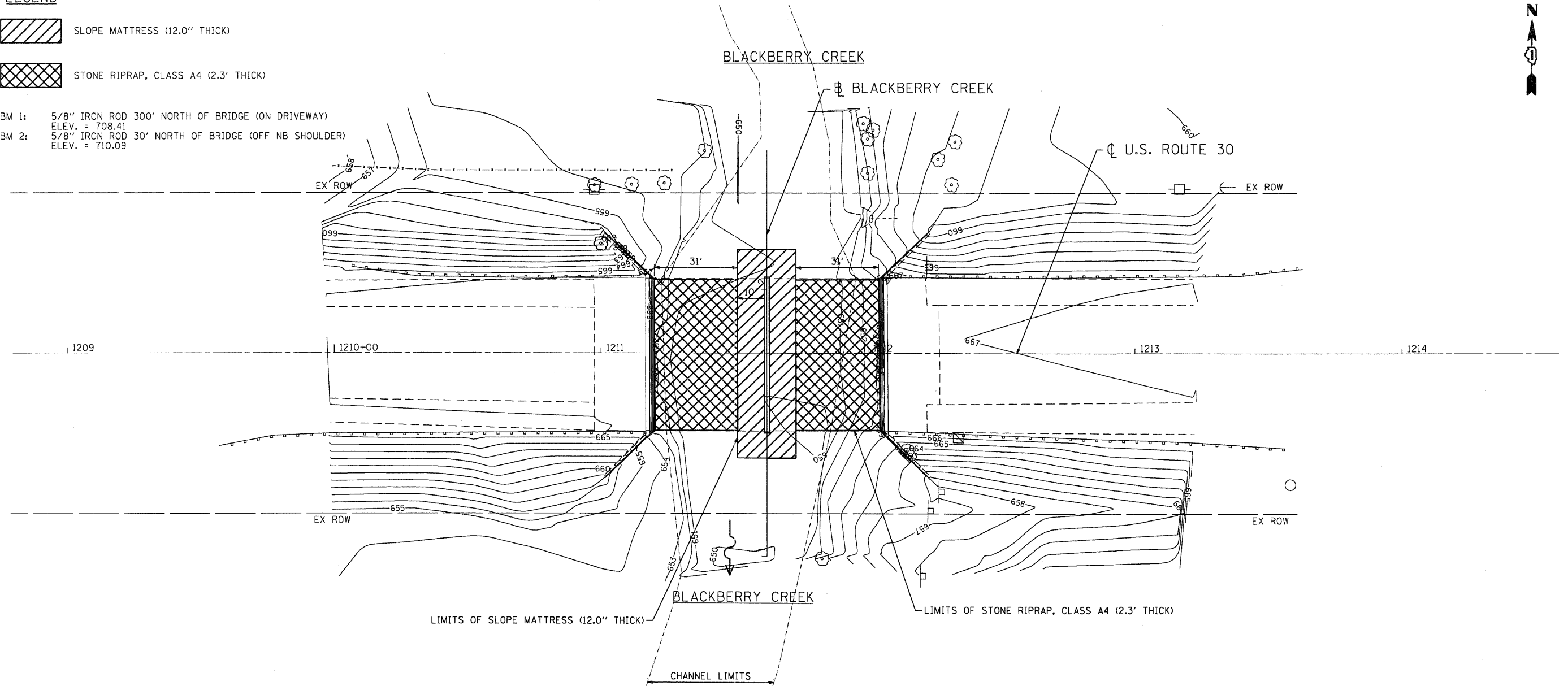
F.A. RTE.	SECTION	COUNTY	TOTAL SHEETS	SHEET NO.
VAR.	2010-077-1	VAR.	21	9
SP. 047-0029		CONTRACT NO. 60L65		
FED. ROAD DIST. NO.		ILLINOIS FED. AID PROJECT		

LEGEND

 SLOPE MATTRESS (12.0" THICK)

 STONE RIPRAP, CLASS A4 (2.3' THICK)

BM 1: 5/8" IRON ROD 300' NORTH OF BRIDGE (ON DRIVEWAY)
ELEV. = 708.41
BM 2: 5/8" IRON ROD 30' NORTH OF BRIDGE (OFF NB SHOULDER)
ELEV. = 710.09



ACCESS TO THIS SITE IS LIMITED. THE CONTRACTOR SHALL ONLY ACCESS THIS SITE BY RAISING AND/OR LOWERING ALL EQUIPMENT AND MATERIAL OVER THE SIDES OF THE BRIDGE. THE CONTRACTOR WILL NOT BE ALLOWED OTHER ACCESS WITHOUT WRITTEN PERMISSION FROM THE ENGINEER. THIS WORK WILL NOT BE PAID FOR SEPARATELY, BUT SHALL BE CONSIDERED AS INCLUDED IN THE CONTRACT UNIT PRICES FOR THE CONSTRUCTION ITEMS INVOLVED AND NO ADDITIONAL COMPENSATION WILL BE ALLOWED.

COMPANY NAME: HRGreen
 PROJECT CONTACT: S. PERNAL
 CLIENT: ILLINOIS DEPARTMENT OF TRANSPORTATION
 DATE PLOTTED: 7/19/2011 3:08:46 PM
 PLOT NUMBER: 60665-er-es-03.dgn
 PEN TABLE: standard-trans.tbl



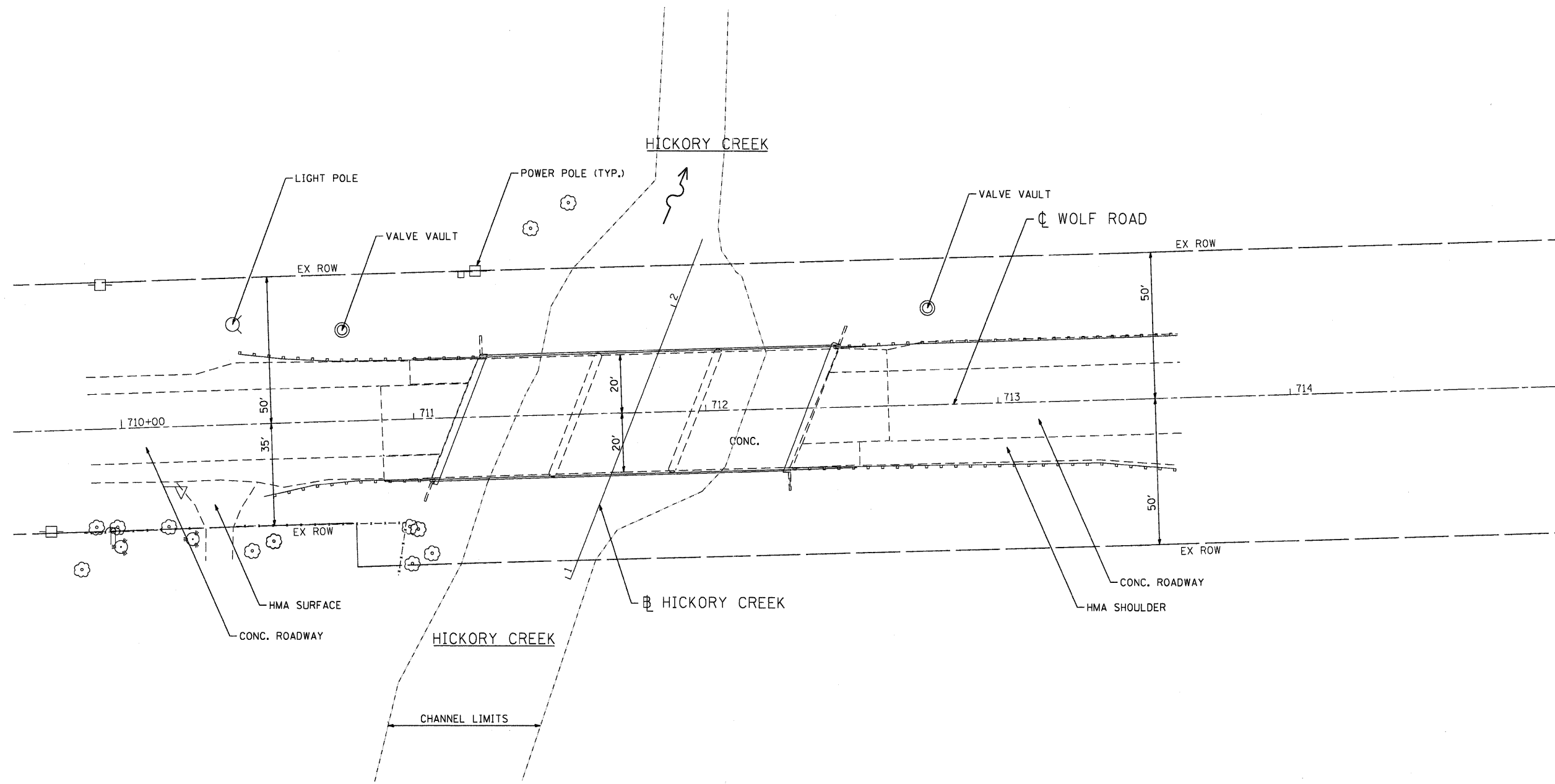
USER NAME = SPernal	DESIGNED - C. HARTKE	REVISED -
PLOT SCALE = 1"=20'	DRAWN - S. PERNAL	REVISED -
PLOT DATE = 7/19/2011	CHECKED - T. HAMILTON	REVISED -
	DATE - 7/19/11	REVISED -

STATE OF ILLINOIS
DEPARTMENT OF TRANSPORTATION

EROSION AND SEDIMENT CONTROL PLAN
U.S. ROUTE 30 OVER BLACKBERRY CREEK
SCALE: 1"=20' SHEET NO. 2 OF 2 SHEETS STA. 1210+00 TO STA. 1213+00

F.A. RTE.	SECTION	COUNTY	TOTAL SHEETS	SHEET NO.
VAR.	2010-077-1	VAR.	21	10
S.D. 04F-0029		CONTRACT NO. 60L65		
FED. ROAD DIST. NO. ILLINOIS FED. AID PROJECT				

60665-er-es-03.dgn



COMPANY NAME: HRGreen
 PROJECT CONTACT: SPernal
 CLIENT: ILLINOIS DEPARTMENT OF TRANSPORTATION
 FILE NAME: 60L65-03-0271-04.dgn
 PLOT DATE: 7/19/11
 PLOT SCALE: 1"=20'
 PLOT DRIVER: pnf/ah
 PEN TABLE: standard-trans.tbl



USER NAME = SPernal	DESIGNED - C. HARTKE	REVISED -
PLOT SCALE = 1"=20'	DRAWN - S. PERNAL	REVISED -
PLOT DATE = 7/19/11	CHECKED - T. HAMILTON	REVISED -
	DATE - 7/19/11	REVISED -

STATE OF ILLINOIS
DEPARTMENT OF TRANSPORTATION

SITE PLAN
WOLF ROAD OVER HICKORY CREEK

SCALE: 1"=20' SHEET NO. 1 OF 2 SHEETS STA. 710+00 TO STA. 714+00

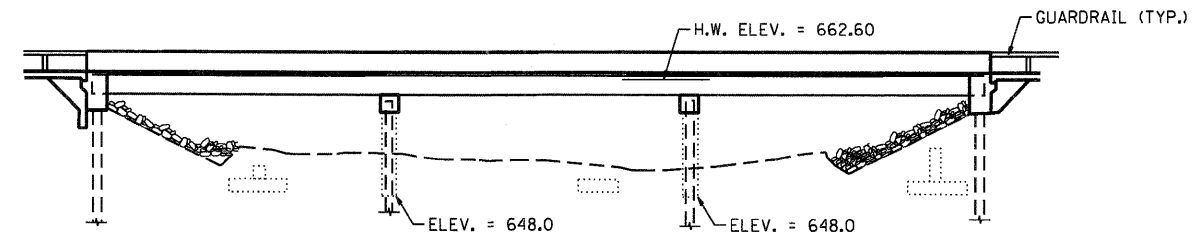
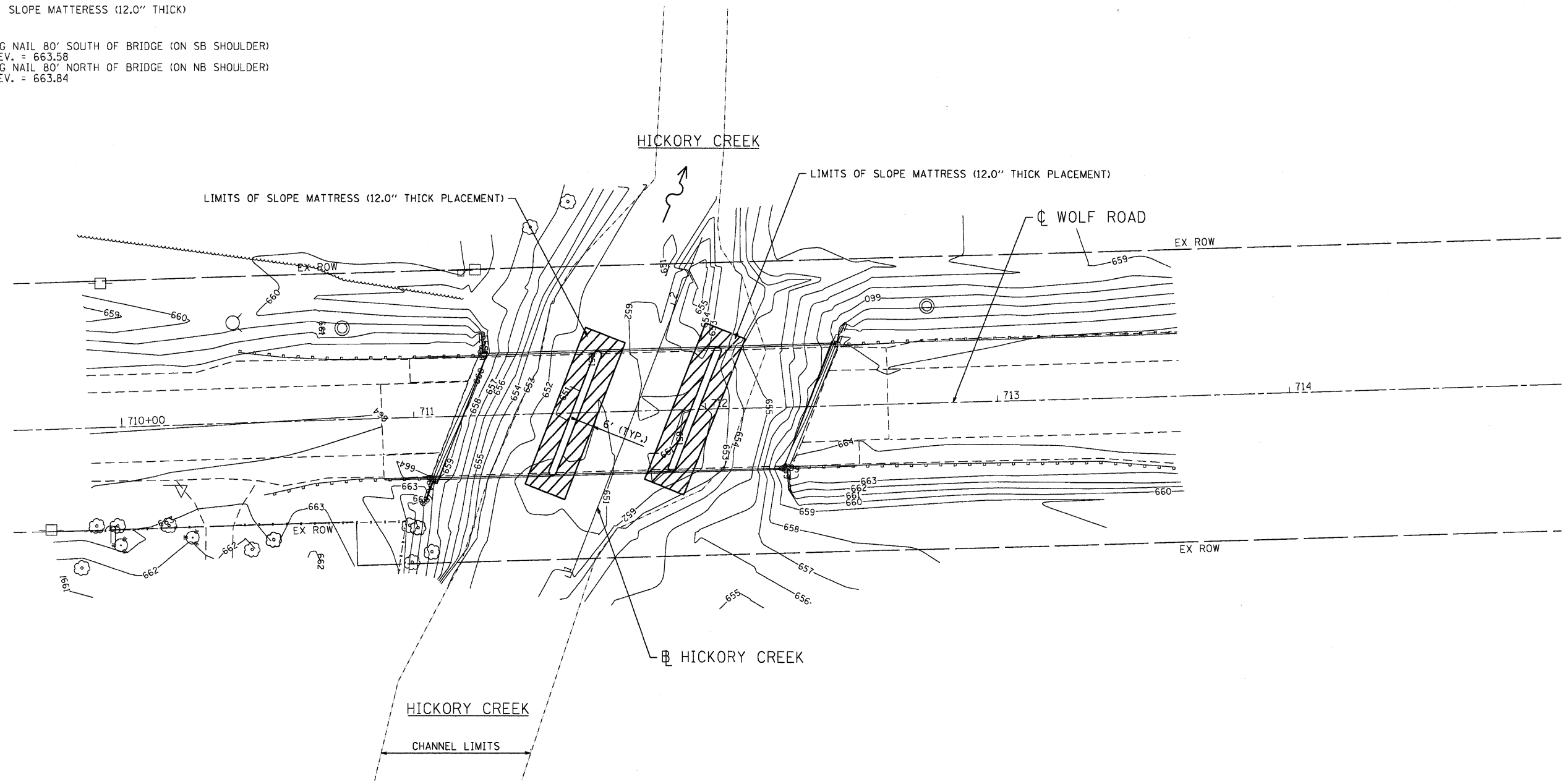
F.A. RTE.	SECTION	COUNTY	TOTAL SHEETS	SHEET NO.
VAR.	2010-077-1	VAR.	21	11
SM. 099-0271		CONTRACT NO. 60L65		
FED. ROAD DIST. NO. ILLINOIS FED. AID PROJECT				



LEGEND

 SLOPE MATTERESS (12.0" THICK)

BM 1: MAG NAIL 80' SOUTH OF BRIDGE (ON SB SHOULDER)
ELEV. = 663.58
BM 2: MAG NAIL 80' NORTH OF BRIDGE (ON NB SHOULDER)
ELEV. = 663.84



BRIDGE ELEVATION
NOT TO SCALE

ACCESS TO THIS SITE IS LIMITED. THE CONTRACTOR SHALL ONLY ACCESS THIS SITE BY RAISING AND/OR LOWERING ALL EQUIPMENT AND MATERIAL OVER THE SIDES OF THE BRIDGE. THE CONTRACTOR WILL NOT BE ALLOWED OTHER ACCESS WITHOUT WRITTEN PERMISSION FROM THE ENGINEER. THIS WORK WILL NOT BE PAID FOR SEPARATELY, BUT SHALL BE CONSIDERED AS INCLUDED IN THE CONTRACT UNIT PRICES FOR THE CONSTRUCTION ITEMS INVOLVED AND NO ADDITIONAL COMPENSATION WILL BE ALLOWED.

COMPANY NAME: #COMPANY.NAME/ HRGreen.com
 PROJECT CONTACT: #PROJECT.CONTACT/ S. PERNAL
 CLIENT: #CLIENT/ S. PERNAL
 DATE PLOTTED: 7/19/11 4:08:49 PM
 PLOT SCALE: 1"=20'
 PLOT DRIVER: pc4.plt
 PEN TABLE: standard-trans.tbl



USER NAME = SPernal	DESIGNED - C. HARTKE	REVISED -
PLOT SCALE = 1"=20'	DRAWN - S. PERNAL	REVISED -
PLOT DATE = 7/19/2011	CHECKED - T. HAMILTON	REVISED -
	DATE - 7/19/11	REVISED -

**STATE OF ILLINOIS
DEPARTMENT OF TRANSPORTATION**

**EROSION AND SEDIMENT CONTROL PLAN
WOLF ROAD OVER HICKORY CREEK**

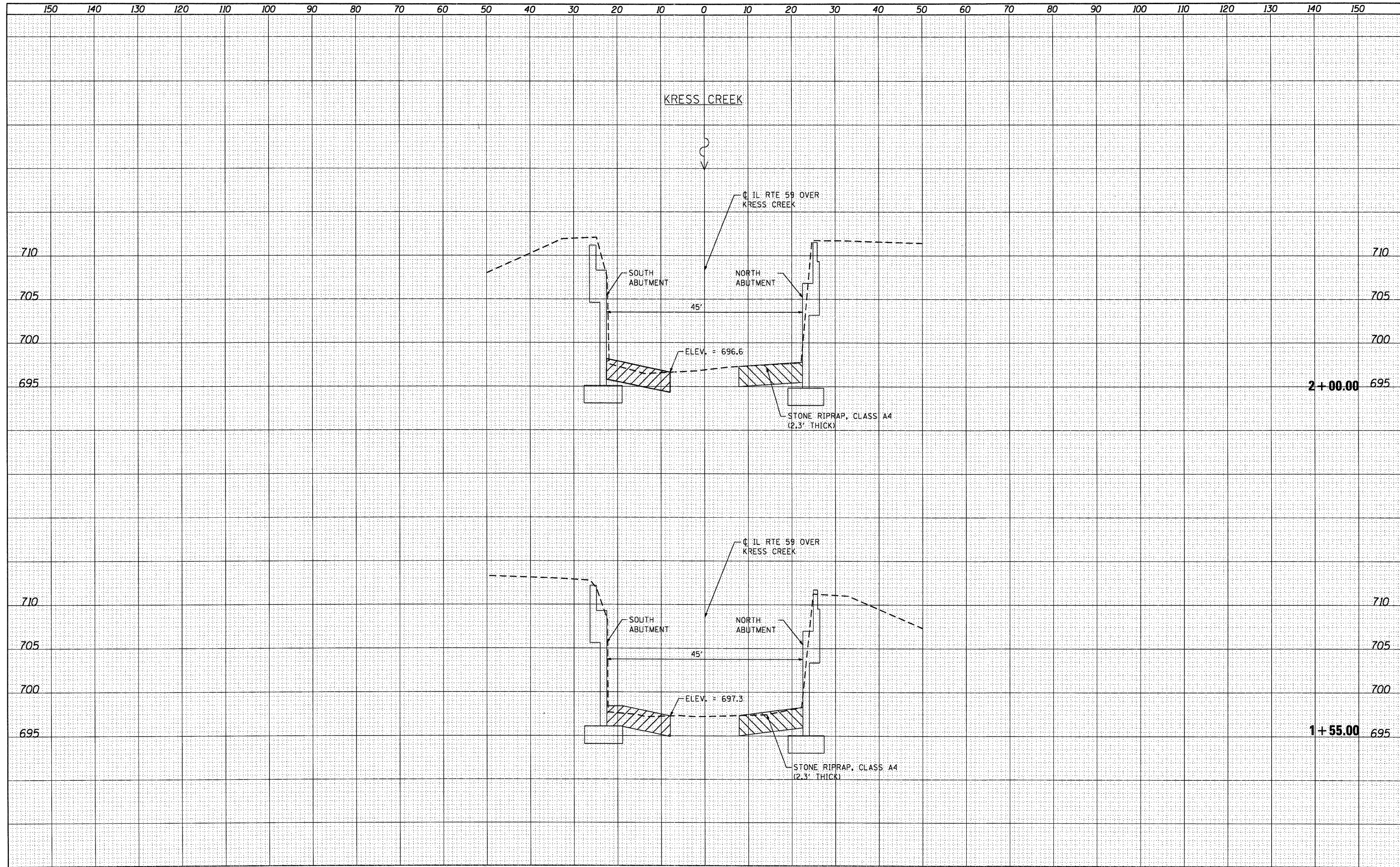
SCALE: 1"=20' SHEET NO. 2 OF 2 SHEETS STA. 710+00 TO STA. 714+00

F.A. RTE.	SECTION	COUNTY	TOTAL SHEETS	SHEET NO.
VAR.	2010-077-1	VAR.	21	12
S.N. 099-0271			CONTRACT NO. 60L65	
FED. ROAD DIST. NO. ILLINOIS FED. AID PROJECT				

86100196.03-60.65-eros-04.dgn

DATE	
BY	
SURVEY	
PLOTTED	
TEMPLATE	
AREAS	
CHECKED	
FINAL SURVEY	
NOTE BOOK	
NO.	

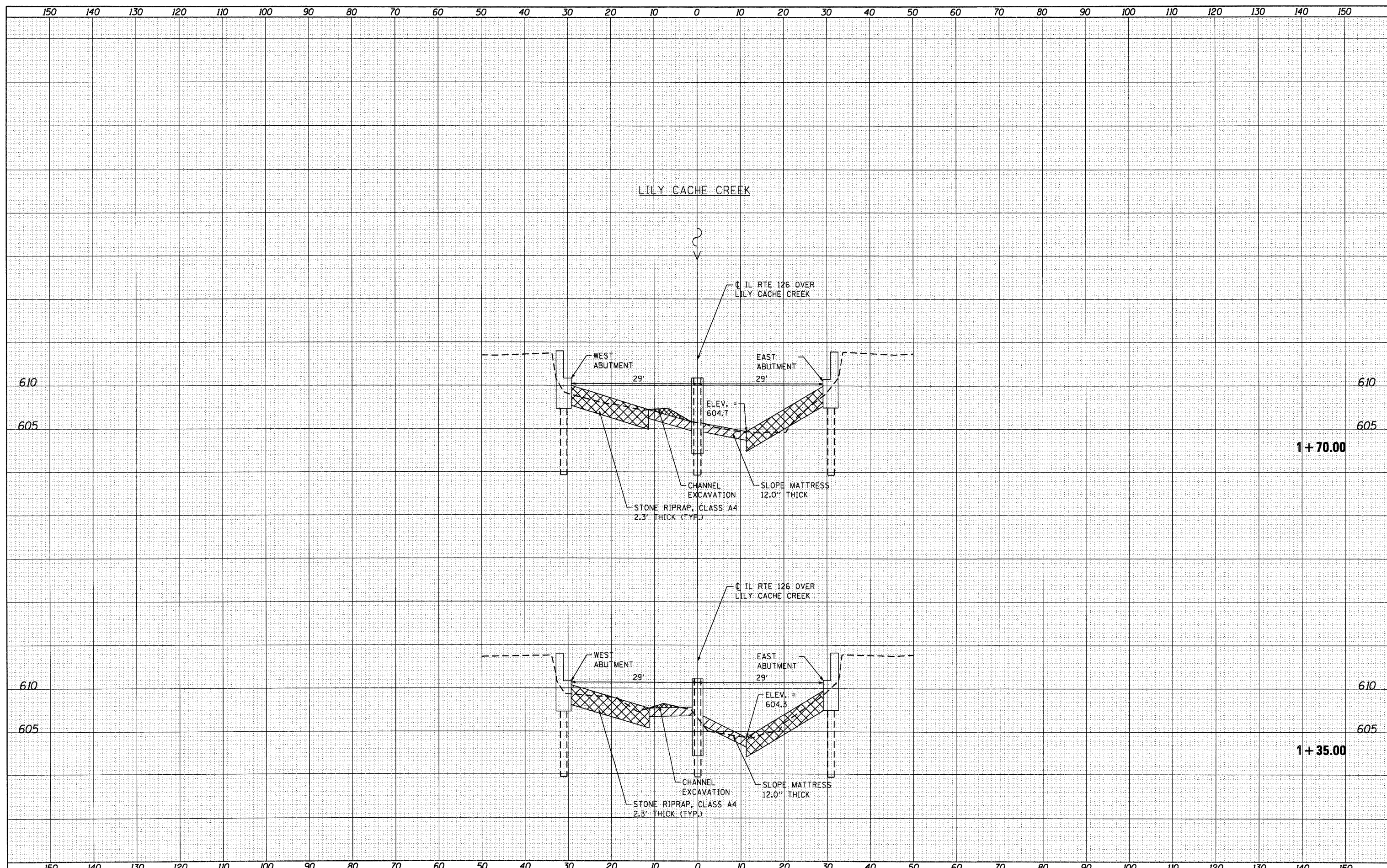
DATE	
BY	
SURVEY	
PLOTTED	
TEMPLATE	
AREAS	
CHECKED	
ORIGINAL SURVEY	
NOTE BOOK	
NO.	



HRGreen.com Illinois Professional Design Firm # 184-001322	USER NAME = SPernal PLOT SCALE = 1:10H, 1:5V PLOT DATE = 7/19/2011	DESIGNED C. HARTKE DRAWN S. PERNAL CHECKED T. HAMILTON DATE 7/19/11	REVISED REVISED REVISED REVISED	STATE OF ILLINOIS DEPARTMENT OF TRANSPORTATION	CROSS SECTIONS ILLINOIS ROUTE 59 OVER KRESS CREEK	SCALE: 1:10H, 1:5V SHEET NO. 1 OF 4 SHEETS STA. 1+55.00 TO STA. 2+00.00	F.A. RTE. SECTION COUNTY TOTAL SHEETS SHEET NO. VAR. 2010-077-1 VAR. 21 13 S.D. 022-0037 CONTRACT NO. 60L65 ILLINOIS FED. AID PROJECT
--	--	--	--	---	--	---	--

DATE	
BY	
SURVEYED	
PLOTTED	
TEMPLATE	
AREAS	
CHECKED	
NO.	

DATE	
BY	
SURVEYED	
PLOTTED	
TEMPLATE	
AREAS	
CHECKED	
NO.	



USER NAME =	SPernal	DESIGNED	C. HARTKE	REVISED	
		DRAWN	S. PERNAL	REVISED	
PLOT SCALE =	1:10H, 1:5V	CHECKED	T. HAMILTON	REVISED	
PLOT DATE =	7/19/2011	DATE	7/19/11	REVISED	

**STATE OF ILLINOIS
DEPARTMENT OF TRANSPORTATION**

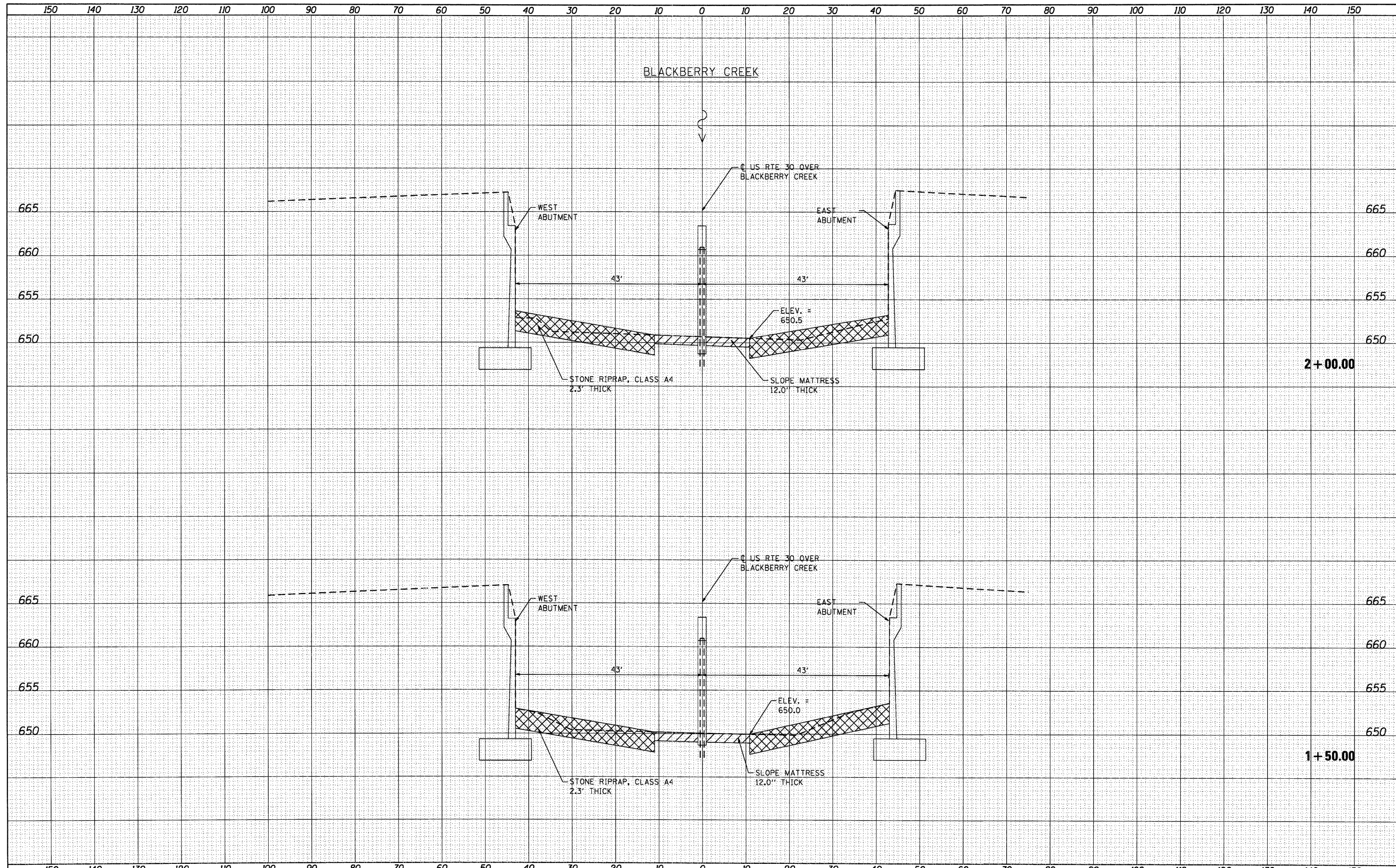
**CROSS SECTIONS
ILLINOIS ROUTE 126 OVER LILY CACHE CREEK**

SCALE: 1:10H, 1:5V SHEET NO. 2 OF 4 SHEETS STA. 1+35.00 TO STA. 1+70.00

F.A. RTE.	SECTION	COUNTY	TOTAL SHEETS	SHEET NO.
VAR.	2010-077-1	VAR.	21	14
S.N. 099-0262		CONTRACT NO.		60L65
ILLINOIS FED. AID PROJECT				

DATE	
BY	
REVISIONS	
NO.	
AREAS CHECKED	
NOTE BOOK	
TEMPLATE	
PLOTTED	
SURVEY	
FINAL	

DATE	
BY	
REVISIONS	
NO.	
AREAS CHECKED	
NOTE BOOK	
TEMPLATE	
PLOTTED	
SURVEY	
ORIGINAL	



HRGreen.com
 Illinois Professional Design Firm
 #146-001922

USER NAME = SPernal	DESIGNED C. HARTKE	REVISED
	DRAWN S. PERNAL	REVISED
PLOT SCALE = 1:10H, 1:5V	CHECKED T. HAMILTON	REVISED
PLOT DATE = 7/19/2011	DATE 7/19/11	REVISED

**STATE OF ILLINOIS
 DEPARTMENT OF TRANSPORTATION**

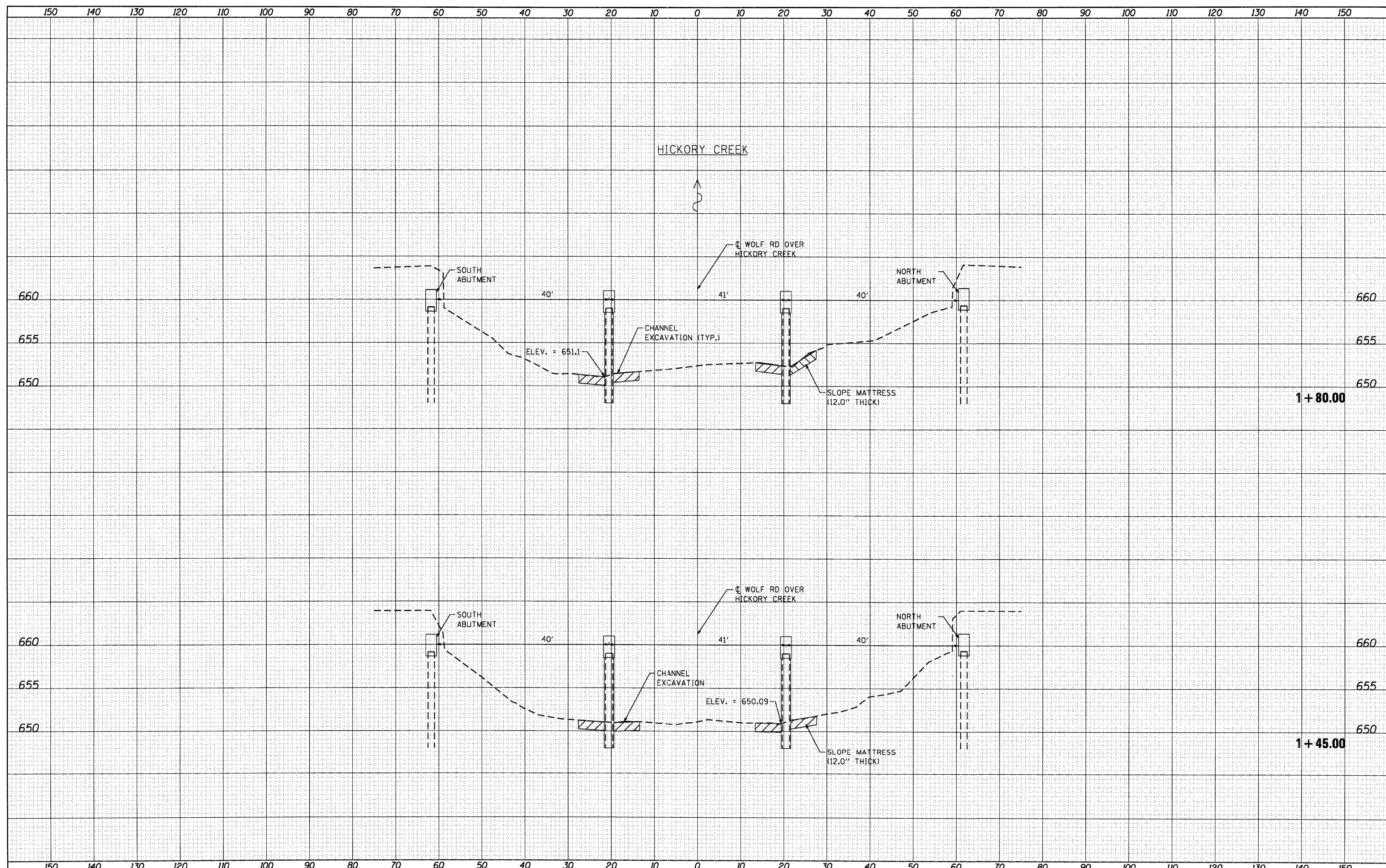
**CROSS SECTIONS
 U.S. ROUTE 30 OVER BLACKBERRY CREEK**

SCALE: 1:10H, 1:5V SHEET NO. 3 OF 4 SHEETS STA. 1+50.00 TO STA. 2+00.00

F.A. RTE.	SECTION	COUNTY	TOTAL SHEETS	SHEET NO.
VAR.	2010-077-1	VAR.	21	15
	SN. 047-0029	CONTRACT NO.	60L65	
ILLINOIS FED. AID PROJECT				

DATE	
BY	
REVISIONS	
NO.	
DATE	
BY	
REVISIONS	
NO.	
DATE	
BY	
REVISIONS	
NO.	
DATE	
BY	
REVISIONS	
NO.	
DATE	
BY	
REVISIONS	
NO.	
DATE	
BY	
REVISIONS	
NO.	

DATE	
BY	
REVISIONS	
NO.	
DATE	
BY	
REVISIONS	
NO.	
DATE	
BY	
REVISIONS	
NO.	
DATE	
BY	
REVISIONS	
NO.	
DATE	
BY	
REVISIONS	
NO.	



HRGreen
 HRGreen.com
 Illinois Professional Design Firm
 #184-001322

USER NAME	= SPernal
PLOT SCALE	= 1:10H, 1:5V
PLOT DATE	= 7/19/2011

DESIGNED	C. HARTKE
DRAWN	S. PERNAL
CHECKED	T. HAMILTON
DATE	7/19/11

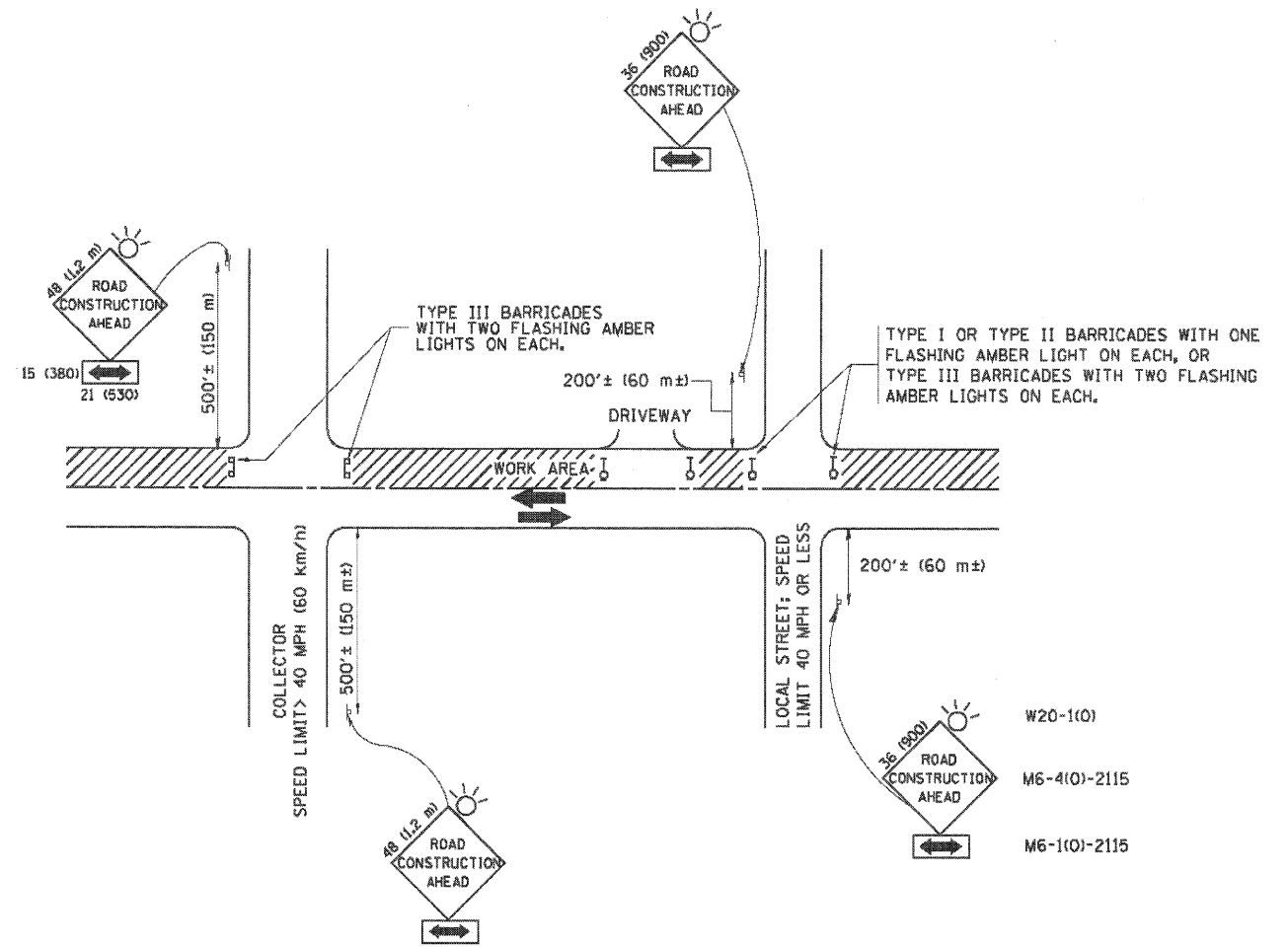
REVISED	
REVISED	
REVISED	
REVISED	

**STATE OF ILLINOIS
 DEPARTMENT OF TRANSPORTATION**

**CROSS SECTIONS
 WOLF ROAD OVER HICKORY CREEK**

SCALE: 1:10H, 1:5V SHEET NO. 4 OF 4 SHEETS STA. 1+45.00 TO STA. 1+80.00

F.A. RTE.	SECTION	COUNTY	TOTAL SHEETS	SHEET NO.
VAR.	2010-077-1	VAR.	21	16
SN. 099-0271			CONTRACT NO.	60L65
ILLINOIS FED. AID PROJECT				



TRAFFIC CONTROL AND PROTECTION FOR SIDE ROADS, INTERSECTIONS, AND DRIVEWAYS

NOTES:

- A. FOR NO LANE RESTRICTION ON THE SIDE ROAD OR DRIVEWAYS
 - 1. SIDE ROAD WITH A SPEED LIMIT OF 40 MPH (60 km/h) OR LESS AS SHOWN ON THE DRAWING AND AS DIRECTED BY THE ENGINEER:
 - a) ONE ROAD CONSTRUCTION AHEAD SIGN 36 x 36 (900x900) WITH A FLASHER AND FLAG MOUNTED ON IT APPROXIMATELY 200' (60 m) IN ADVANCE OF THE MAIN ROUTE.
 - b) THE CLOSED PORTION OF THE MAIN ROUTE SHALL BE PROTECTED BY BLOCKING WITH TYPE I, TYPE II OR TYPE III BARRICADES, 1/3 OF THE CROSS SECTION OF THE CLOSED PORTION.
 - 2. SIDE ROAD WITH A SPEED LIMIT GREATER THAN 40 MPH (60 km/h) AS SHOWN ON THE DRAWING AND AS DIRECTED BY THE ENGINEER:
 - a) ONE ROAD CONSTRUCTION AHEAD SIGN 48 x 48 (1.2 m x 1.2 m) WITH A FLASHER MOUNTED ON IT APPROXIMATELY 500' (150 m) IN ADVANCE OF THE MAIN ROUTE.
 - b) THE CLOSED PORTION OF THE MAIN ROUTE SHALL BE PROTECTED BY BLOCKING WITH TYPE III BARRICADES, 1/2 OF THE CROSS SECTION OF THE CLOSED PORTION.
- 3. WHEN THE SIDE ROAD LIES BETWEEN THE BEGINNING OF THE MAINLINE SIGNING AND THE WORK ZONE, A SINGLE HEADED ARROW (M6-1) SHALL BE USED IN LIEU OF THE DOUBLE HEADED ARROW (M6-4).
- B. FOR A LANE CLOSURE ON A SIDE ROAD OR DRIVEWAY:
 - USE APPLICABLE PORTIONS OF THE TYPICAL APPLICATION OF TRAFFIC CONTROL DEVICES (STD. 701501, STD. 701606 OR THE APPROPRIATE STANDARD). THE SPACING OF SIGNS AND BARRICADES SHALL BE ADJUSTED FOR FIELD CONDITIONS AS DIRECTED BY THE ENGINEER. THE DIRECTIONAL ARROW SHALL BE COVERED OR REMOVED WHEN NO LONGER CONSISTENT WITH THE SIDE ROAD LANE CLOSURE.
- C. ADVANCE WARNING SIGNS ARE TO BE OMITTED ON DRIVEWAY UNLESS OTHERWISE NOTED.
- D. THE TRAFFIC CONTROL AND PROTECTION FOR SIDE ROADS, INTERSECTIONS, AND DRIVEWAYS SHALL BE INCIDENTAL TO THE COST OF SPECIFIED TRAFFIC CONTROL STANDARDS OR ITEMS.

All dimensions are in millimeters (inches) unless otherwise shown.

COMPANY NAME: HRCGreen.com
 PROJECT CONTACT: #PROJECT CONTACT 71
 CLIENT: #CLIENT 71
 FILE NAME: 8610018.03-06-01.dgn
 PLOT DRIVER: defgh
 PEN TABLE: standard-trans.tbl



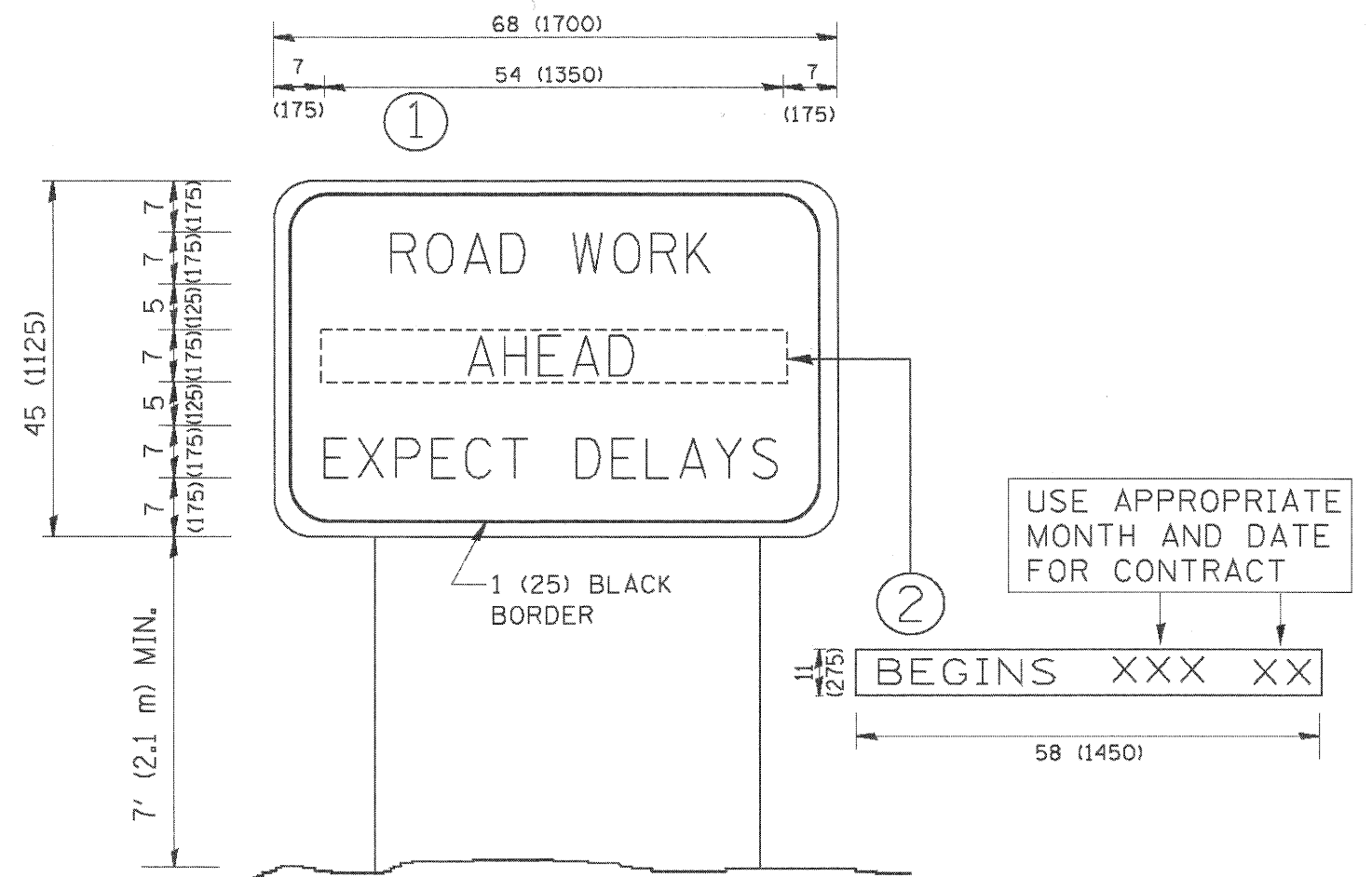
USER NAME = gsglienob	DESIGNED - LMA	REVISED - J. OBERLE 10-18-95
PLOT SCALE = 50:000 1/4 IN.	DRAWN -	REVISED - A. HOUSEH 03-06-96
PLOT DATE = 1/4/2008	CHECKED -	REVISED - A. HOUSEH 10-15-96
	DATE - 06-89	REVISED - T. RAMMACHER 01-06-00

STATE OF ILLINOIS
 DEPARTMENT OF TRANSPORTATION

TRAFFIC CONTROL AND PROTECTION FOR
 SIDE ROADS, INTERSECTIONS, AND DRIVEWAYS

SCALE: NONE SHEET NO. 1 OF 5 SHEETS STA. TO STA.

F.A. RTE.	SECTION	COUNTY	TOTAL SHEETS	SHEET NO.
VAR.	2010-077-1	VAR.	21	17
TC-10		CONTRACT NO. 60L65		
FED. ROAD DIST. NO. 1 (ILLINOIS) FED. AID PROJECT				



NOTES:

1. USE BLACK LETTERING ON ORANGE BACKGROUND.
2. ERECT SIGNS IN ADVANCE OF THE LOCATION FOR THE "ROAD CONSTRUCTION AHEAD" SIGN AT LOCATIONS AS DIRECTED BY THE ENGINEER.
3. ERECT SIGN ① WITH INSTALLED PANEL ② ONE WEEK PRIOR TO THE START OF CONSTRUCTION.
4. REMOVE PANEL ② SOON AFTER THE START OF CONSTRUCTION.
5. SEE SPECIAL PROVISION FOR "TEMPORARY INFORMATION SIGNING" FOR ADDITIONAL INFORMATION.
6. ONE SIGN ASSEMBLY EQUALS 25.70 SQ. FT. (2.3 SQ. M.)
7. SHALL BE PAID FOR AS TEMPORARY INFORMATION SIGNING.

ALL DIMENSIONS ARE IN INCHES (MILLIMETERS) UNLESS OTHERWISE SHOWN.

COMPANY NAME: HRGreen.com
 PROJECT CONTACT: #PROJECT CONTACT
 CLIENT: #CLIENT
 DATE PLOTTED: 7/15/2011 3:00:01 PM
 FILE NAME: 116-03-087-02.dgn
 PLOT NUMBER: 01/01
 PEN TABLE: standard-trans.tbl



USER NAME = gagliandot	DESIGNED -	REVISED - R. MIRS 09-15-97
	DRAWN -	REVISED - R. MIRS 12-11-97
PLOT SCALE = 50.000 1/1 IN.	CHECKED -	REVISED - T. RAMMACHER 02-02-99
PLOT DATE = 1/4/2008	DATE -	REVISED - C. JUCIUS 01-31-07

**STATE OF ILLINOIS
DEPARTMENT OF TRANSPORTATION**

**ARTERIAL ROAD
INFORMATION SIGN**

SCALE: NONE SHEET NO. 2 OF 5 SHEETS STA. TO STA.

F.A. RTE.	SECTION	COUNTY	TOTAL SHEETS	SHEET NO.
VAR.	2010-077-1	VAR.	21	18
TC-22		CONTRACT NO. 60L65		
FED. ROAD DIST. NO. 1 ILLINOIS FED. AID PROJECT				

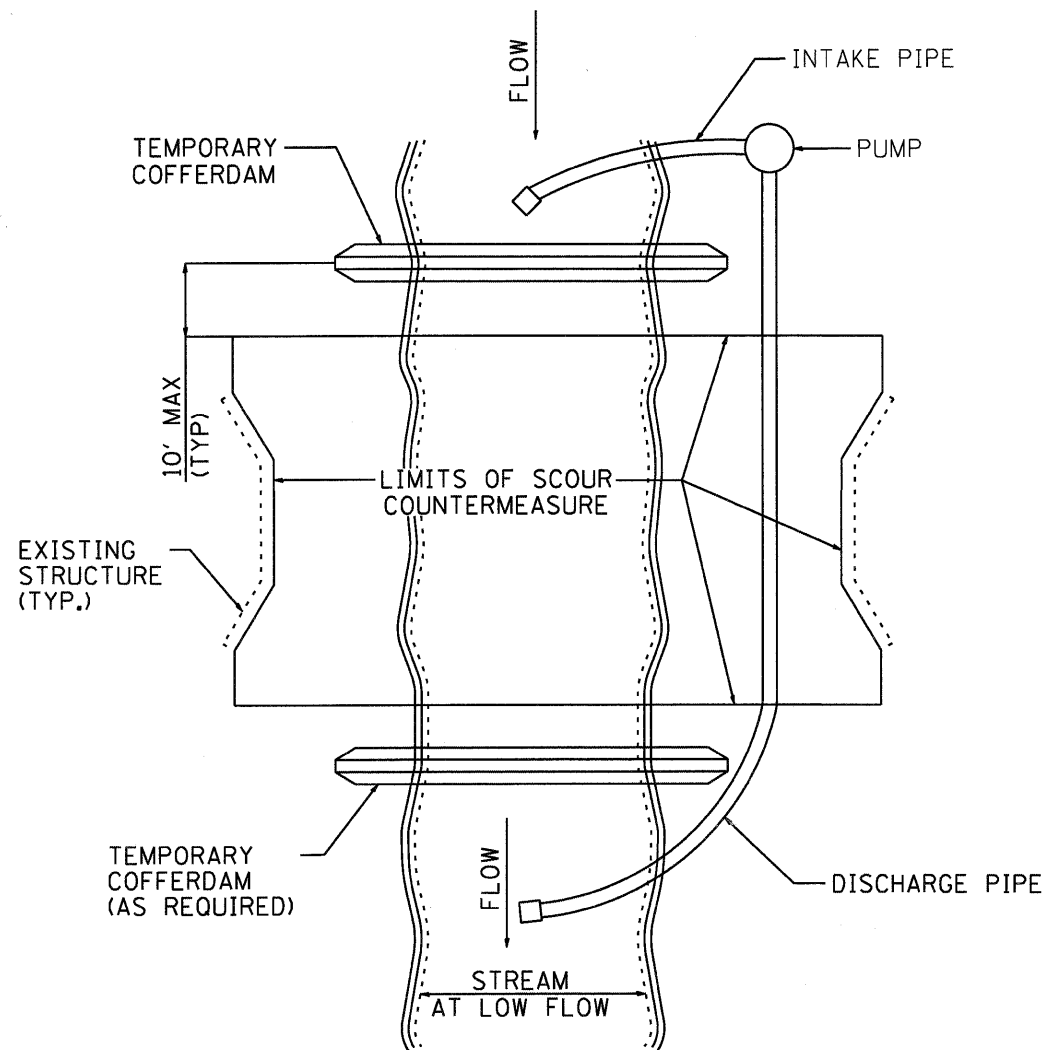


FIGURE D1. TEMPORARY COFFERDAM WITH PUMP BYPASS

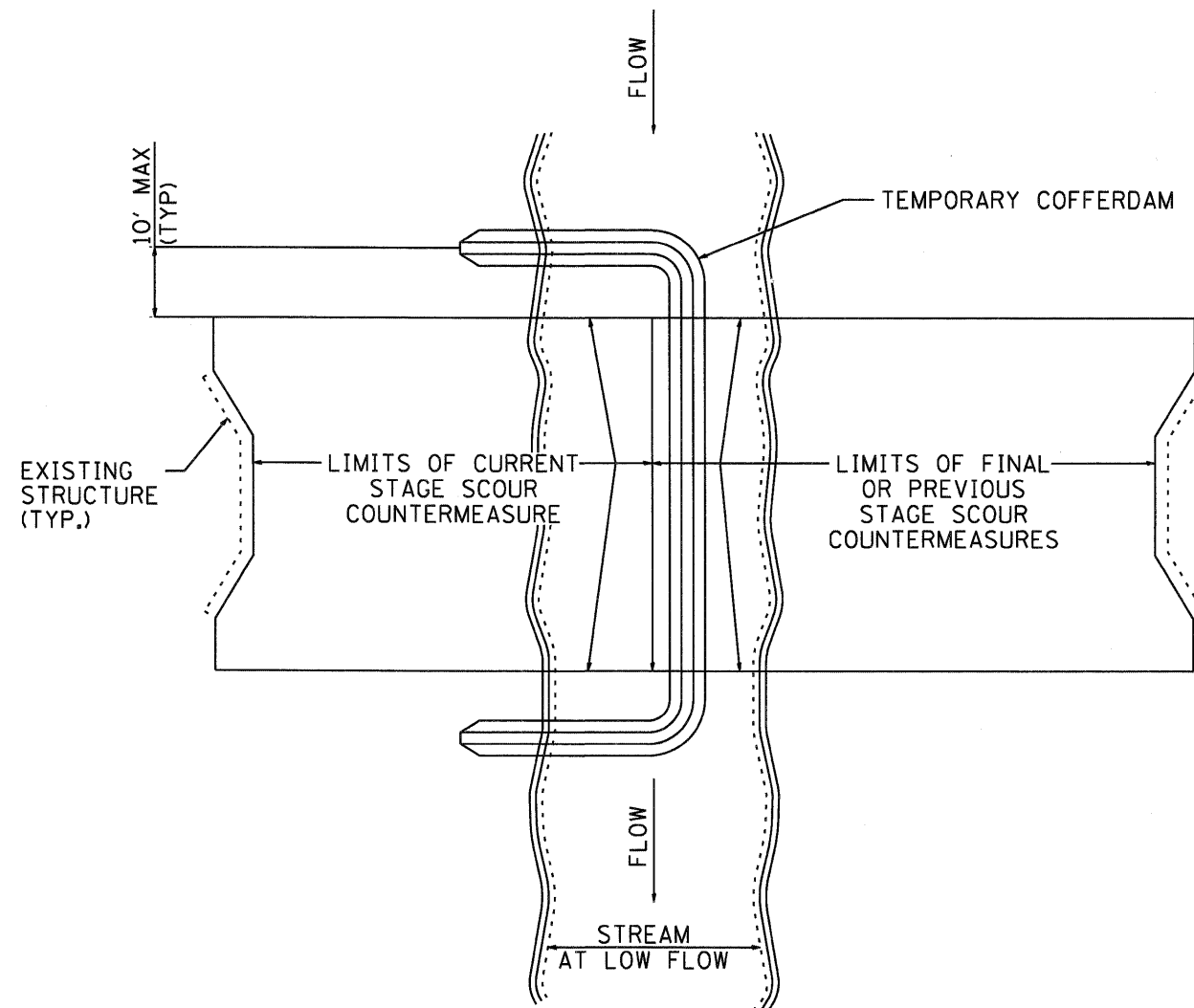


FIGURE D2. STAGED IN-STREAM COFFERDAM DIVISION

NOTE: DEWATERING SYSTEM DETAILS SHALL BE USED IN CONJUNCTION WITH THE PROJECT SPECIAL PROVISIONS.

COMPANY NAME: HRGreen
 PROJECT CONTACT: #PROJECT_CONTACT
 CLIENT: #CLIENT
 DATE PLOTTED: 8/6/2011 8:06:02 PM
 PLOT DRIVER: #PLOT_DRIVER
 PEN TABLE: #PEN_TABLE



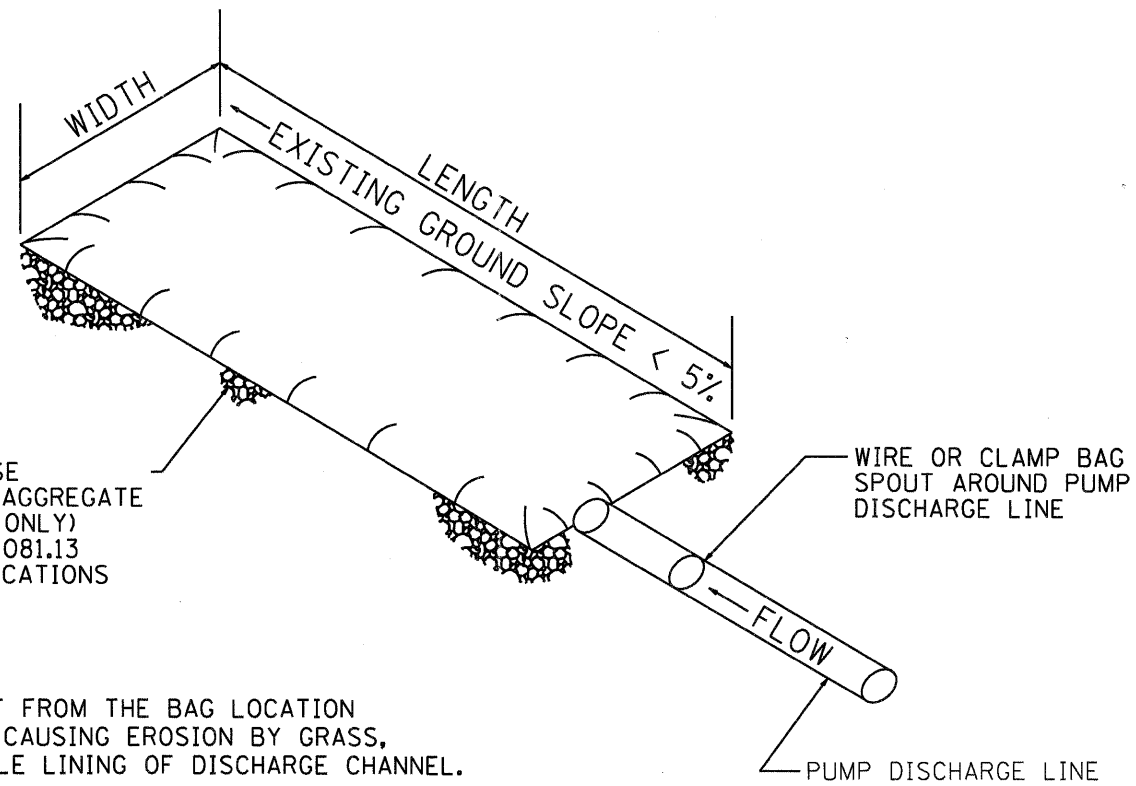
USER NAME = SPernal	DESIGNED -	REVISED -
PLOT SCALE = N/A	DRAWN -	REVISED -
PLOT DATE = 7/19/2011	CHECKED -	REVISED -
	DATE - 7/19/11	REVISED -

STATE OF ILLINOIS
 DEPARTMENT OF TRANSPORTATION

DEWATERING SYSTEM DETAILS
 SCOUR COUNTERMEASURES

SCALE: N/A SHEET NO. 3 OF 5 SHEETS STA. TO STA.

F.A. RTE.	SECTION	COUNTY	TOTAL SHEETS	SHEET NO.
VAR.	2010-077-1	VAR.	21	19
FED. ROAD DIST. NO. ILLINOIS FED. AID PROJECT			CONTRACT NO. 60L65	



PLACE FILTERBAG ON DENSE MATURE GRASS OR ON AN AGGREGATE BASE (COARSE AGGREGATE ONLY) CONFORMING TO SECTION 1081.13 OF THE STANDARD SPECIFICATIONS

ENSURE THAT RUNOFF FROM THE BAG LOCATION IS PREVENTED FROM CAUSING EROSION BY GRASS, STONE, OR GEOTEXTILE LINING OF DISCHARGE CHANNEL.

REMOVE SILT WHEN BAG IS HALF FULL OR MORE OFTEN IF RECOMMENDED BY THE MAUNFACUTURER. DISPOSE OF SILT BY TRANSPORTING THE FILLED BAG TO DISPOSAL AREA. SLIT THE BAG, BLEND SILT INTO EXISTING TOPOGRAPHY, SEED AND MULCH

MAINTAIN EXTRA FILTER BAGS ON SITE. REPLACE DAMAGED BAGS PROMPTLY.

TYPICAL FLOW RATE: 10 GPM x W x L

FIGURE S1. SEDIMENT FILTER BAG

NOTE: DEWATERING SYSTEM DETAILS SHALL BE USED IN CONJUNCTION WITH THE PROJECT SPECIAL PROVISIONS.

COMPANY NAME: HRGreen.com
 PROJECT CONTACT: SPernol
 CLIENT: HRGreen.com
 DATE PLOTTED: 7/19/2011 3:04:03 PM
 PLOT DRIVER: standard-trans.tbl
 PEN TABLE: standard-trans.tbl

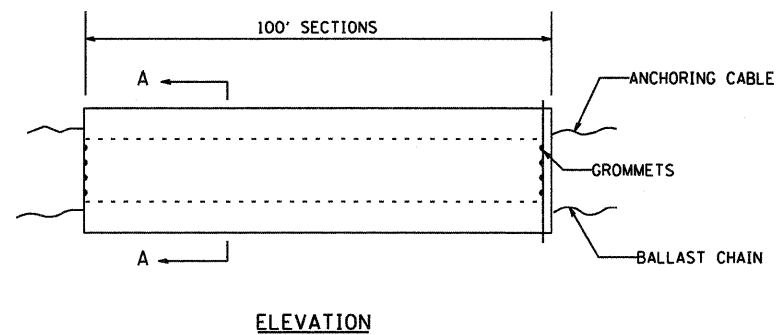


USER NAME = SPernol	DESIGNED -	REVISED -
PLOT SCALE = N/A	CHECKED -	REVISED -
PLOT DATE = 7/19/2011	DATE - 7/19/11	REVISED -

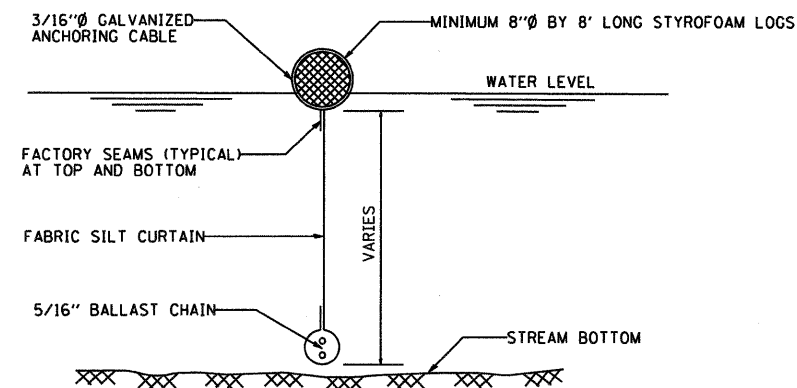
STATE OF ILLINOIS
 DEPARTMENT OF TRANSPORTATION

DEWATERING SYSTEM DETAILS SCOUR COUNTERMEASURES	
SCALE: N/A	SHEET NO. 4 OF 5 SHEETS
STA.	TO STA.

F.A. RTE.	SECTION	COUNTY	TOTAL SHEETS	SHEET NO.
VAR.	2010-077-1	VAR.	21	20
FED. ROAD DIST. NO.			CONTRACT NO. 60L65	
ILLINOIS FED. AID PROJECT				



ELEVATION



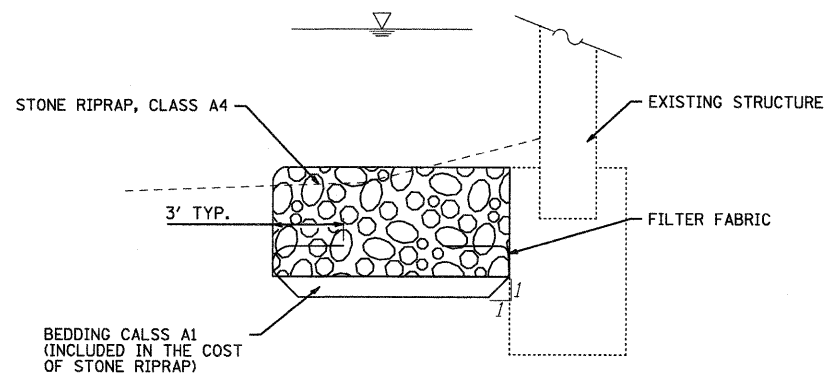
SECTION A-A

FLOTATION BOOM

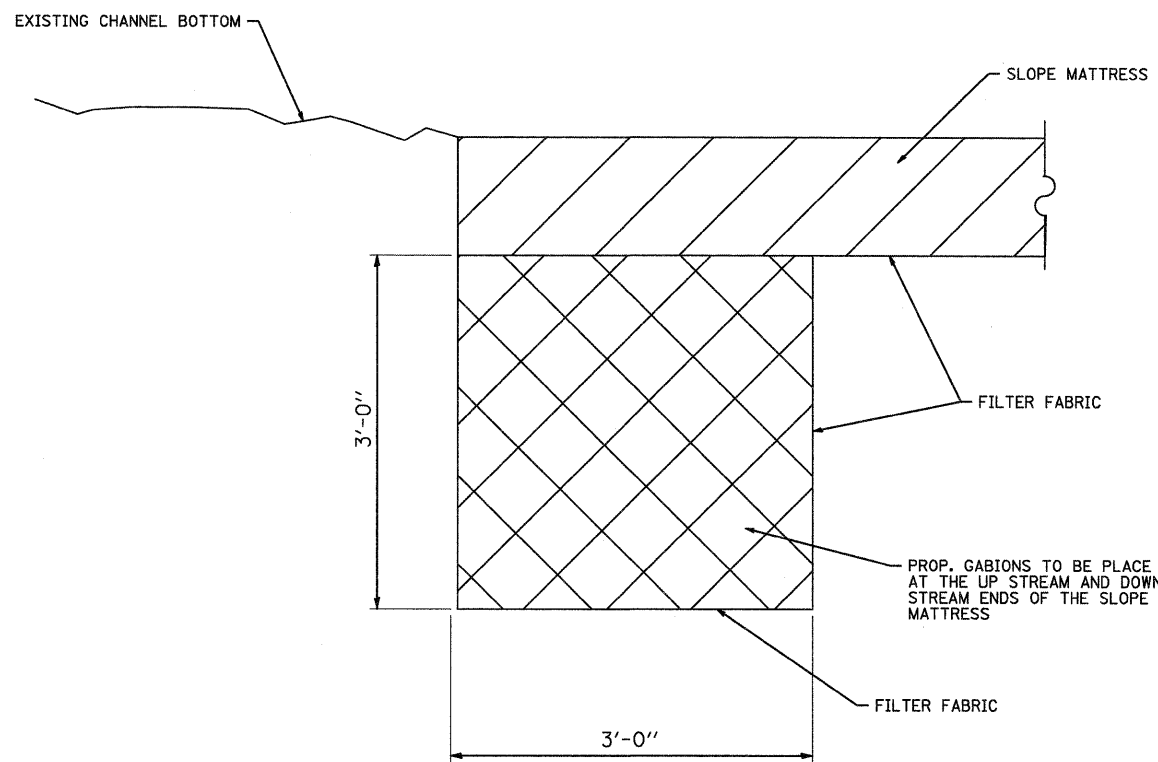
NOTES:

1. FLOTATION BOOM SHALL BE ANCHORED TO PREVENT DRIFT SHOREWARD OR DOWNSTREAM. ANCHORAGES SHALL BE INSTALLED ON BOTH SHORE AND STREAM SIDE.
2. SHORE ANCHORS SHALL CONSIST OF A POST WITH DEADMAN OR APPROVED EQUAL. STREAM ANCHORS SHALL BE SUFFICIENT SIZE TO STABILIZE THE BARRIER WITH NUMBER AND SPACING DEPENDENT ON WATERWAY VELOCITIES.
3. FABRIC SECTIONS SHALL BE CONNECTED END TO END WITH MINIMUM 5/8" DIAMETER POLYPROPYLENE ROPE
4. DESIGN OF BOOM AND ANCHORAGE SHALL BE IN ACCORDANCE WITH MANUFACTURER'S RECOMMENDATIONS. BOTTOM OF BOOM SHALL REACH BOTTOM OF WATERWAY USING ONE OR TWO VERTICAL SECTIONS AS REQUIRED.
5. MAINTENANCE SHALL BE PERFORMED AS NEEDED. CONTRACTOR SHALL REMOVE THE BOOM AT COMPLETION OF WORK IN A MANNER THAT WILL PREVENT SILTATION OF THE WATERWAY.

APPLICATION: FLOTATION BOOMS TO BE USED TO CONTROL EROSION, TURBIDITY AND DEBRIS WHEN WORKING IN WATERWAYS.



FILTER FABRIC/ RIPRAP DETAIL



MATTRESS ANCHORING DETAIL

COMPANY NAME: #/COMPANY/NAME/ HRGreen
 PROJECT CONTACT: #/PROJECT/CONTACT/ HRGreen
 CLIENT: #/CLIENT/ HRGreen
 DATE PLOTTED: 7/21/2011 4:41:52 PM
 FILE NAME: 06100196.03-081-05.dgn
 PLOT DRIVER: pcfplot
 PEN TABLE: STANDARD-TRANS.TBL



USER NAME = JGuerr1	DESIGNED -	REVISED -
PLOT SCALE = N/A	DRAWN -	REVISED -
PLOT DATE = 7/21/2011	CHECKED -	REVISED -
	DATE = 7/21/11	REVISED -

STATE OF ILLINOIS
 DEPARTMENT OF TRANSPORTATION

DETAILS
 SCOUR COUNTERMEASURES

SCALE: N/A SHEET NO. 5 OF 5 SHEETS STA. TO STA.

F.A. RTE.	SECTION	COUNTY	TOTAL SHEETS	SHEET NO.
VAR.	2010-077-I	VAR.	21	21
CONTRACT NO.			60L65	
FED. ROAD DIST. NO. ILLINOIS FED. AID PROJECT				