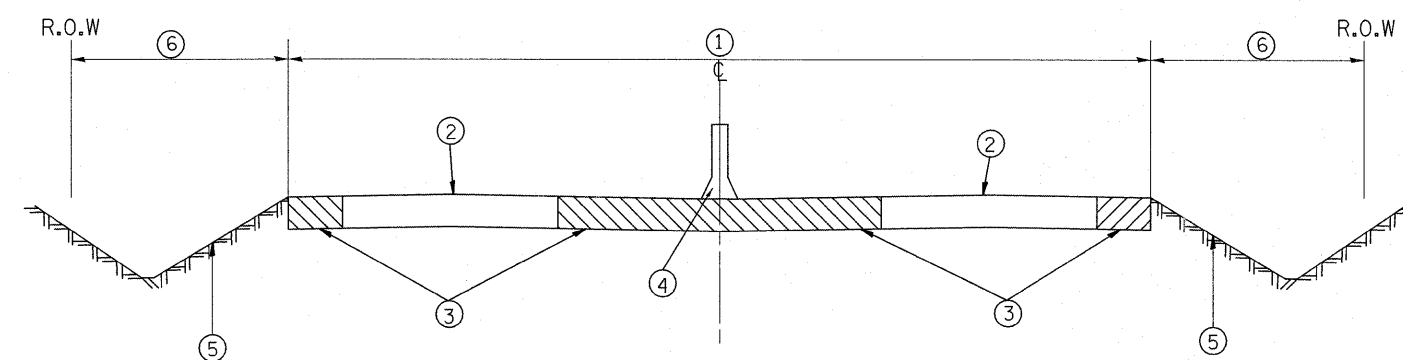
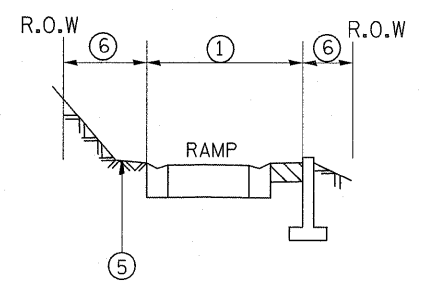


TYPICAL EXPRESSWAY CROSS-SECTION NO. 1



TYPICAL EXPRESSWAY CROSS-SECTION NO. 2



TYPICAL RAMP CROSS-SECTION

LEGEND

- ① AREA OF ROADWAY CLEANING AND RUBBISH REMOVAL
- ② TRAVELED ROADWAY
- ③ STABILIZED SHOULDER OR MEDIAN
- ④ CONCRETE BARRIER
- ⑤ NON STABILIZED SURFACE
- ⑥ LITTER PICKING

NOTE: - SLOPE WALLS UNDER BRIDGES ARE NOT INCLUDED IN AREAS TO BE CLEANED. DEBRIS SHALL BE REMOVED FROM ALL STABILIZED AREAS, UNDER AND 10 FEET BEHIND ALL GUARDRAIL, AND ALL AGGREGATE/ STONE SHOULDERS REGARDLESS OF WIDTH.

- ALL LOCATIONS OF GUARDRAIL SHALL BE CLEANED BY HAND LABORING UNDERNEATH AND 10 FEET BEHIND STABILIZED AND NON STABILIZED AREAS. THIS WORK SHALL BE CONSIDERED AS INCLUDED IN THE CONTRACT UNIT PRICE FOR ALL FULL CLEANING CYCLES.

FILE NAME =	USER NAME = mdyjs	DESIGNED -	REVISED -	STATE OF ILLINOIS DEPARTMENT OF TRANSPORTATION	TYPICAL I-55 EXPRESSWAY CROSS-SECTIONS		F.A.I. RTE.	SECTION	COUNTY	TOTAL SHEETS	SHEET NO.
ct:\pw_work\pwsdot\mdyjs\d0136184\SweepingContract2009.dgn	PLOT SCALE = 50.0000' / IN.	DRAWN -	REVISED -				55	2011-028-1	COOK & DuPAGE	8	4
PLOT DATE = 4/1/2011	DATE -	CHECKED -	REVISED -		SCALE: SHEET NO. OF SHEETS STA. TO STA.		CONTRACT NO. 60P29				
					ILLINOIS FED. AID PROJECT						