

F.A.I. RTE.	SECTION	COUNTY	TOTAL SHEETS	SHEET NO.
55	2011-028-I	COOK & DuPAGE	3	1
FED. ROAD DIST. NO.	ILLINOIS	CONTRACT NO. 60P29		

**STATE OF ILLINOIS
DEPARTMENT OF TRANSPORTATION
DIVISION OF HIGHWAYS**

PROPOSED HIGHWAY PLANS

**F.A.I. ROUTE 55: (INTERSTATE 55)
I-355 TO KEDZIE AVE.**

SECTION: 2011-028-I

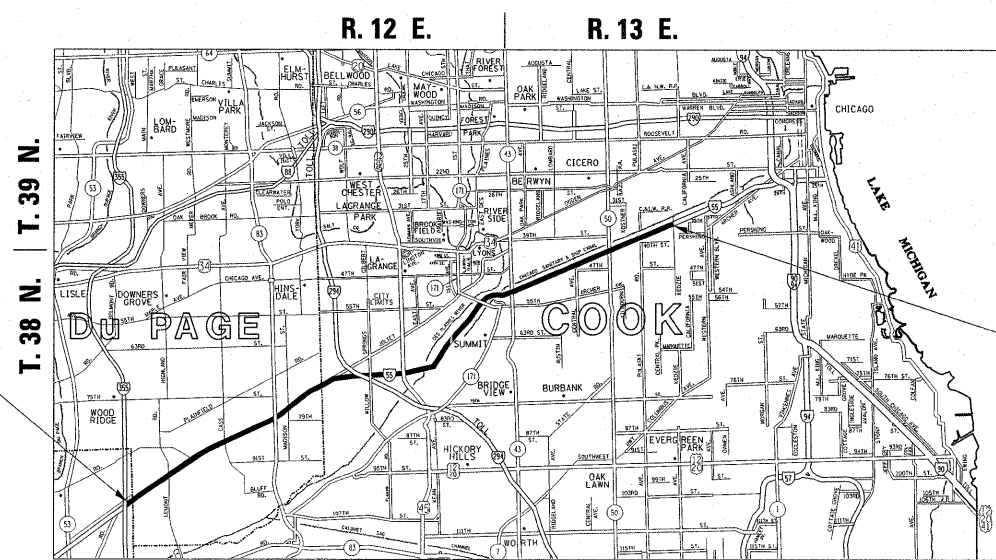
EXPRESSWAY CLEANING (SWEEPING)

~~PROJECT: CMI 055 7(261)269~~

COOK & DuPAGE COUNTIES

C-91-505-11

FOR INDEX OF SHEETS, SEE SHEET NO. 2



PROJECT BEGINS

PROJECT ENDS

LYONS, STICKNEY, LAKE, WEST & SOUTH TOWNSHIPS

GROSS LENGTH OF PROJECT = 102,960 FT = 19.5 MI

J.U.L.I.E.
JOINT UTILITY LOCATION INFORMATION FOR EXCAVATION
1-800-892-0123
OR 811

PROJECT ENGINEER: ROBERT BORO (847) 705-4237
PROJECT MANAGER: ISSAM RAYYAN

CONTRACT NO. 60P29

STATE OF ILLINOIS
DEPARTMENT OF TRANSPORTATION
DIVISION OF HIGHWAYS

SUBMITTED March 31 20 11

Diane O'Keefe
DEPUTY DIRECTOR OF HIGHWAYS, REGION ENGINEER

May 13 20 11
Scott E. Stitt, P.E.
ENGINEER OF DESIGN AND ENVIRONMENT

May 13 20 11
Christine M. Reed
DIRECTOR OF HIGHWAYS, CHIEF ENGINEER

**PRINTED BY THE AUTHORITY
OF THE STATE OF ILLINOIS**

INDEX OF SHEETS

1. TITLE SHEET
2. INDEX OF SHEETS
APPLICABLE STATE STANDARDS
3. SUMMARY OF QUANTITIES
SCHEDULE OF CLEANING STARTING DATES
4. EXPRESSWAY TYPICAL SECTIONS
5. LIMITS OF SIGN CLEANING
6. EXPRESSWAY CLEANING
7. DISTRICT ONE DETAILS: TRAFFIC CONTROL DEVICES FOR
HIGHWAY AND SIGN CLEANING OPERATIONS-DAY TIME ONLY
8. TRAFFIC CONTROL DETAILS FOR FREEWAY SHOULDER CLOSURES
AND PARTIAL RAMP CLOSURES

STATE STANDARDS

- 701101-02 OFF-ROAD OPERATIONS, MULTILANE, 15' TO 24" FORM PAVEMENT EDGE
- △ ~~701400-05 APPROACH TO LANE CLOSURE, FREEWAY/EXPRESSWAY~~
- ~~701401-06 LANE CLOSURE, FREEWAY/EXPRESSWAY~~
- △ ~~701411-07 LANE CLOSURE, MULTILANE AT ENTRANCE/EXIT RAMP FOR SPEEDS >45 MPH~~
- 701426-04 LANE CLOSURE, MULTILANE INTERMITTENT OR MOVING OPERATION FOR SPEEDS >45 MPH
- 701901-01 TRAFFIC CONTROL DEVICES

FILE NAME =	USER NAME = msdjje	DESIGNED -	REVISED -	STATE OF ILLINOIS DEPARTMENT OF TRANSPORTATION	INDEX OF SHEETS AND STATE STANDARDS	F.A.I. RTE.	SECTION	COUNTY	TOTAL SHEETS	SHEET NO.
c:\pw_work\pwidot\msdjje\0136184\SweepingContract2009.dgn	PLOT SCALE = 50.7684' / IN.	DRAWN -	REVISED -			55	2011-028-1	COOK & DU PAGE	8	2
PLOT DATE = 4/1/2011	DATE -	CHECKED -	REVISED -			CONTRACT NO. 60P29				
						ILLINOIS FED. AID PROJECT				

△ Rev. 6-6-11

SUMMARY OF QUANTITIES

100% STATE
URBAN
TOTAL

I-55 EXPRESSWAY CLEANING AND LITTER PICKING SCHEDULE OF STARTING DATES

CODE NO.	ITEM	UNIT	MAIN QUANTITY	DuPage County	Cook County
X0329915	FULL EXPRESSWAY CLEANING CYCLE	EACH	64	22.4	41.6
X0414200	SIGN CLEANING CYCLE	EACH	3	1.05	1.95
X0327299	LITTER PICKING CYCLE	EACH	64	22.4	41.6
X0327300	PRIORITY SWEEPING	MILE	805	202	523

1st FULL CLEANING CYCLE	-----	October 31, 2011
2nd FULL CLEANING CYCLE	-----	November 14, 2011
3rd FULL CLEANING CYCLE	-----	November 28, 2011
4th FULL CLEANING CYCLE	-----	December 12, 2011
5th FULL CLEANING CYCLE	-----	December 26, 2011
6th FULL CLEANING CYCLE	-----	January 9, 2012
7th FULL CLEANING CYCLE	-----	January 23, 2012
8th FULL CLEANING CYCLE	-----	February 6, 2012
9th FULL CLEANING CYCLE	-----	February 20, 2012
10th FULL CLEANING CYCLE	-----	March 5, 2012
11th FULL CLEANING CYCLE	-----	March 19, 2012
12th FULL CLEANING CYCLE	-----	April 2, 2012
13th FULL CLEANING CYCLE	-----	April 16, 2012
14th FULL CLEANING CYCLE	-----	April 30, 2012
15th FULL CLEANING CYCLE	-----	May 14, 2012
16th FULL CLEANING CYCLE	-----	May 28, 2012
17th FULL CLEANING CYCLE	-----	June 11, 2012
18th FULL CLEANING CYCLE	-----	June 25, 2012
19th FULL CLEANING CYCLE	-----	July 9, 2012
20th FULL CLEANING CYCLE	-----	July 23, 2012
21st FULL CLEANING CYCLE	-----	August 6, 2012
22nd FULL CLEANING CYCLE	-----	August 20, 2012
23rd FULL CLEANING CYCLE	-----	September 3, 2012
24th FULL CLEANING CYCLE	-----	September 17, 2012
25th FULL CLEANING CYCLE	-----	October 1, 2012
26th FULL CLEANING CYCLE	-----	October 15, 2012
27th FULL CLEANING CYCLE	-----	October 29, 2012
28th FULL CLEANING CYCLE	-----	November 12, 2012
29th FULL CLEANING CYCLE	-----	November 26, 2012
30th FULL CLEANING CYCLE	-----	December 10, 2012
31st FULL CLEANING CYCLE	-----	December 24, 2012
32nd FULL CLEANING CYCLE	-----	January 7, 2013

33rd FULL CLEANING CYCLE	-----	January 21, 2013
34th FULL CLEANING CYCLE	-----	February 4, 2013
35th FULL CLEANING CYCLE	-----	February 18, 2013
36th FULL CLEANING CYCLE	-----	March 4, 2013
37th FULL CLEANING CYCLE	-----	March 18, 2013
38th FULL CLEANING CYCLE	-----	April 1, 2013
39th FULL CLEANING CYCLE	-----	April 15, 2013
40th FULL CLEANING CYCLE	-----	April 29, 2013
41st FULL CLEANING CYCLE	-----	May 13, 2013
42nd FULL CLEANING CYCLE	-----	May 27, 2013
43rd FULL CLEANING CYCLE	-----	June 10, 2013
44th FULL CLEANING CYCLE	-----	June 24, 2013
45th FULL CLEANING CYCLE	-----	July 8, 2013
46th FULL CLEANING CYCLE	-----	July 22, 2013
47th FULL CLEANING CYCLE	-----	August 5, 2013
48th FULL CLEANING CYCLE	-----	August 19, 2013
49th FULL CLEANING CYCLE	-----	September 2, 2013
50th FULL CLEANING CYCLE	-----	September 16, 2013
51st FULL CLEANING CYCLE	-----	September 30, 2013
52nd FULL CLEANING CYCLE	-----	October 14, 2013
53rd FULL CLEANING CYCLE	-----	October 28, 2013
54th FULL CLEANING CYCLE	-----	November 11, 2013
55th FULL CLEANING CYCLE	-----	November 25, 2013
56th FULL CLEANING CYCLE	-----	December 9, 2013
57th FULL CLEANING CYCLE	-----	December 23, 2013
58th FULL CLEANING CYCLE	-----	January 6, 2014
59th FULL CLEANING CYCLE	-----	January 20, 2014
60th FULL CLEANING CYCLE	-----	February 3, 2014
61st FULL CLEANING CYCLE	-----	February 17, 2014
62nd FULL CLEANING CYCLE	-----	March 3, 2014
63rd FULL CLEANING CYCLE	-----	March 17, 2014
64th FULL CLEANING CYCLE	-----	March 31, 2014

(RECOMMENDED TO BE COMPLETED ON OR BEFORE April 7, 2014)

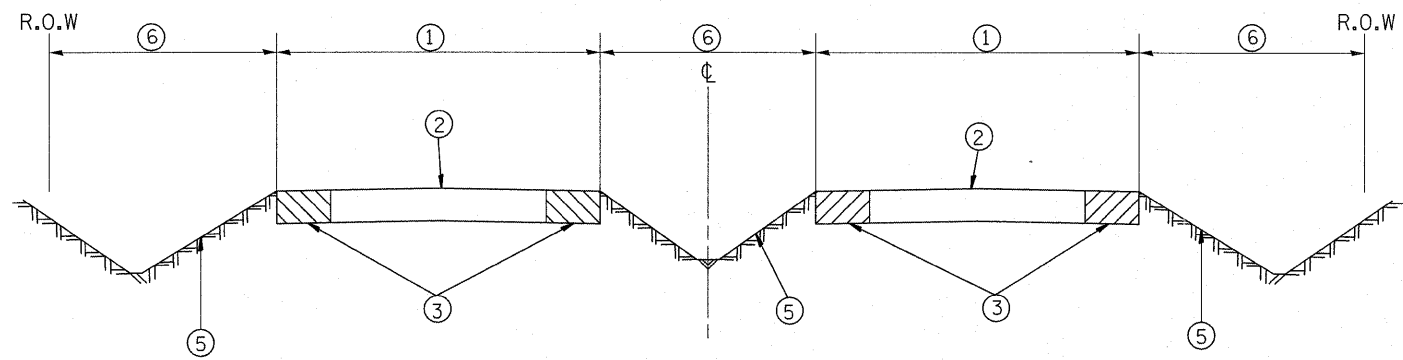
NOTES:

- SCHEDULE MAY VARY AS DIRECTED BY THE ENGINEER.
- THE CONTRACTOR MAY NOT START CLEANING CYCLES BEFORE THE DATES SCHEDULED IN THE PLANS WITHOUT WRITTEN AUTHORIZATION FROM THE ENGINEER.
- NO WORK WILL BE ALLOWED DURING ANY LEGAL HOLIDAY PERIOD.
- ALL SCHEDULES OF ANTICIPATED STARTING DATES SHOWN ARE TENTATIVE AS DETERMINE BY THE DEPARTMENT'S OPERATIONAL NEEDS.

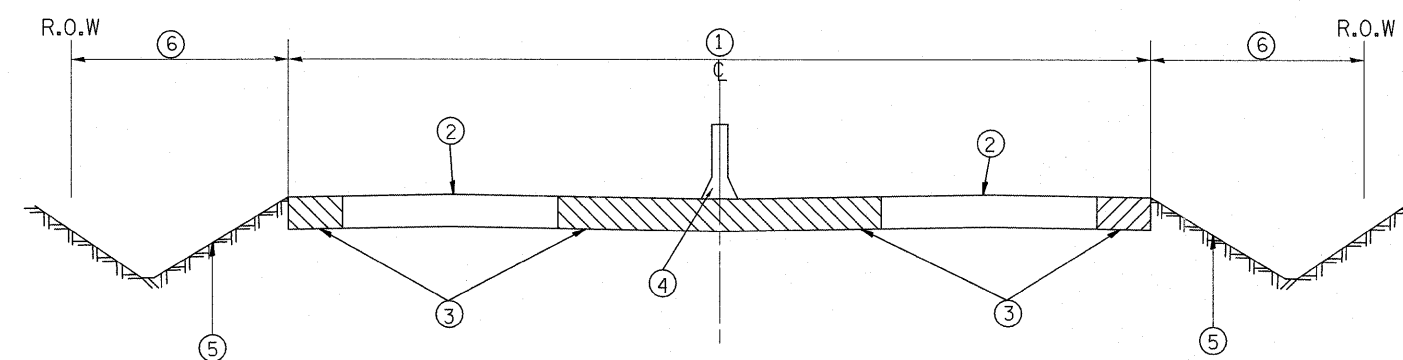
SIGN CLEANING CYCLES SCHEDULE OF STARTING DATES AND COMPLETION DATES

SIGN CLEANING CYCLE	----	March 1, 2012 TO BE COMPLETED BY March 31, 2012
SIGN CLEANING CYCLE	----	March 1, 2013 TO BE COMPLETED BY March 31, 2013
SIGN CLEANING CYCLE	----	March 1, 2014 TO BE COMPLETED BY March 31, 2014

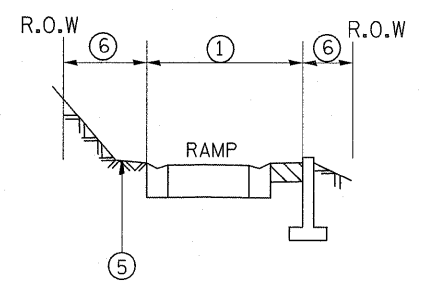
Rev



TYPICAL EXPRESSWAY CROSS-SECTION NO. 1



TYPICAL EXPRESSWAY CROSS-SECTION NO. 2



TYPICAL RAMP CROSS-SECTION

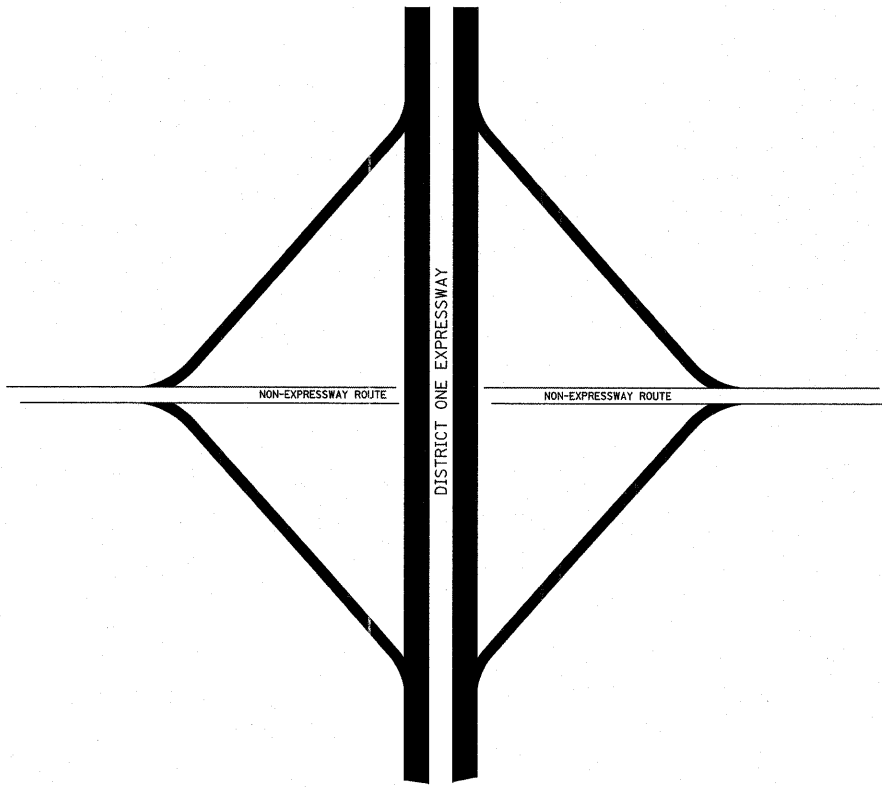
LEGEND


- ① AREA OF ROADWAY CLEANING AND RUBBISH REMOVAL
- ② TRAVELED ROADWAY
- ③ STABILIZED SHOULDER OR MEDIAN
- ④ CONCRETE BARRIER
- ⑤ NON STABILIZED SURFACE
- ⑥ LITTER PICKING

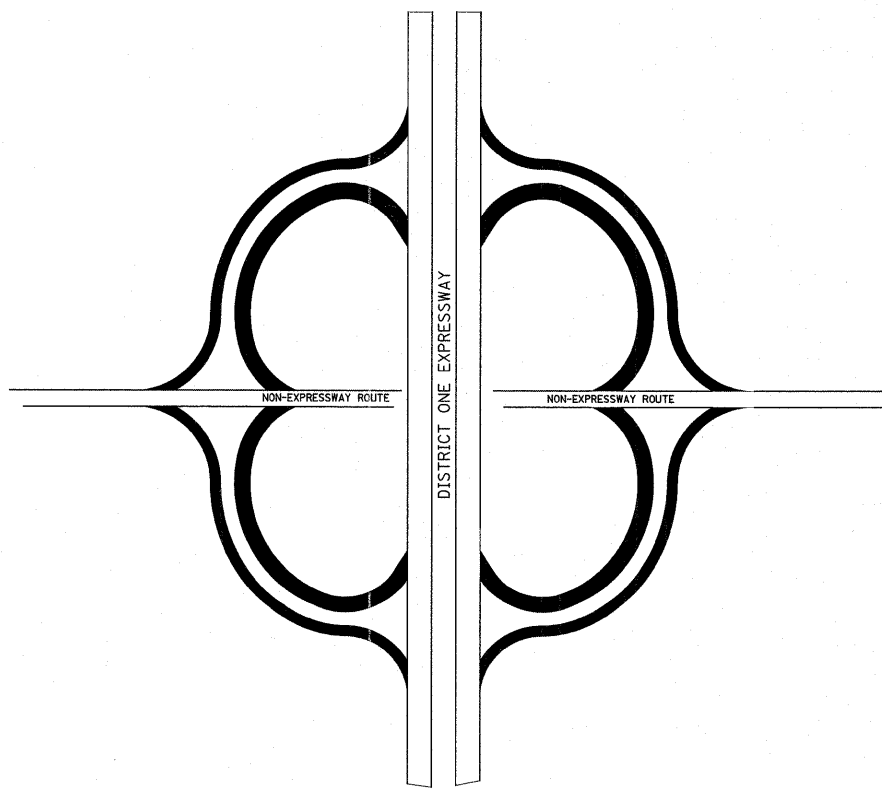
NOTE: - SLOPE WALLS UNDER BRIDGES ARE NOT INCLUDED IN AREAS TO BE CLEANED. DEBRIS SHALL BE REMOVED FROM ALL STABILIZED AREAS, UNDER AND 10 FEET BEHIND ALL GUARDRAIL, AND ALL AGGREGATE/ STONE SHOULDERS REGARDLESS OF WIDTH.

- ALL LOCATIONS OF GUARDRAIL SHALL BE CLEANED BY HAND LABORING UNDERNEATH AND 10 FEET BEHIND STABILIZED AND NON STABILIZED AREAS. THIS WORK SHALL BE CONSIDERED AS INCLUDED IN THE CONTRACT UNIT PRICE FOR ALL FULL CLEANING CYCLES.

FILE NAME =	USER NAME = mdyjs	DESIGNED -	REVISED -	STATE OF ILLINOIS DEPARTMENT OF TRANSPORTATION	TYPICAL I-55 EXPRESSWAY CROSS-SECTIONS		F.A.I. RTE.	SECTION	COUNTY	TOTAL SHEETS	SHEET NO.
ct:\pw\work\pwsdot\mdyjs\d0136184\SweepingContract2009.dgn	PLOT SCALE = 50.0000' / IN.	DRAWN -	REVISED -				55	2011-028-1	COOK & DuPAGE	8	4
PLOT DATE = 4/1/2011	DATE -	CHECKED -	REVISED -		SCALE: SHEET NO. OF SHEETS STA. TO STA.		CONTRACT NO. 60P29				
					ILLINOIS FED. AID PROJECT						



 LIMITS OF SIGN CLEANING



FILE NAME =	USER NAME = mdyja	DESIGNED -	REVISED -	STATE OF ILLINOIS DEPARTMENT OF TRANSPORTATION	LIMITS OF SIGN CLEANING			F.A.I. RTE.	SECTION	COUNTY	TOTAL SHEETS	SHEET NO.			
c:\pw_work\pwidot\mdyja\d0136184\SweepingContract2009.dgn		DRAWN -	REVISED -		SCALE:	SHEET NO.	OF	SHEETS	STA.	TO STA.	55	2011-028-I	COOK & DuPAGE	8	5
		PLOT SCALE = 50.0000' / IN.	CHECKED -		REVISED -	CONTRACT NO. 60P29									
		PLOT DATE = 4/1/2011	DATE -		REVISED -	ILLINOIS FED. AID PROJECT									

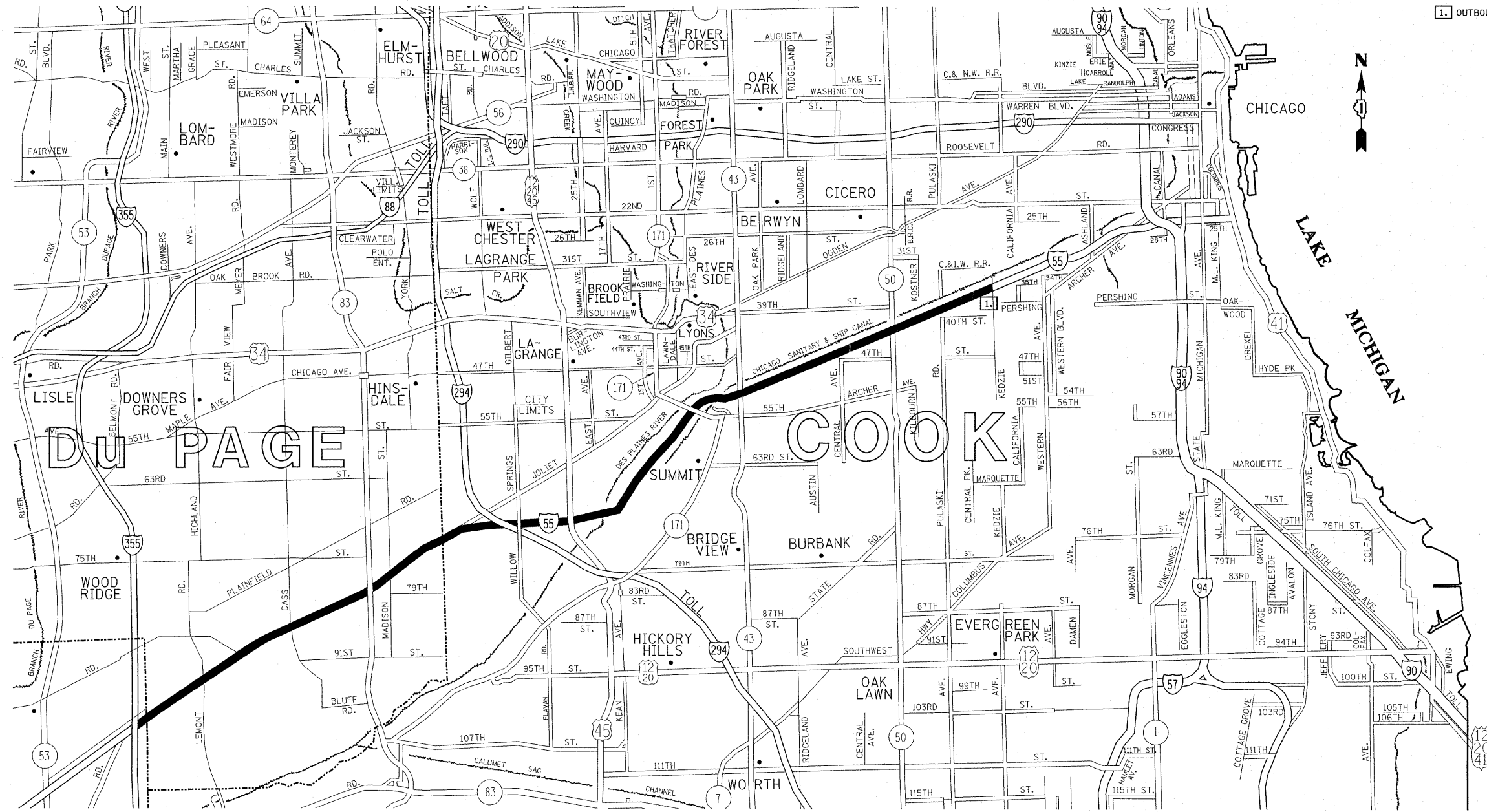
DAY CLEANING ONLY

Stevenson Expressway

Interstate 55 (Stevenson Expressway) from Kedzie Ave. to I-355 and all accident investigation sites.

ACCIDENT INVESTIGATION SITES:

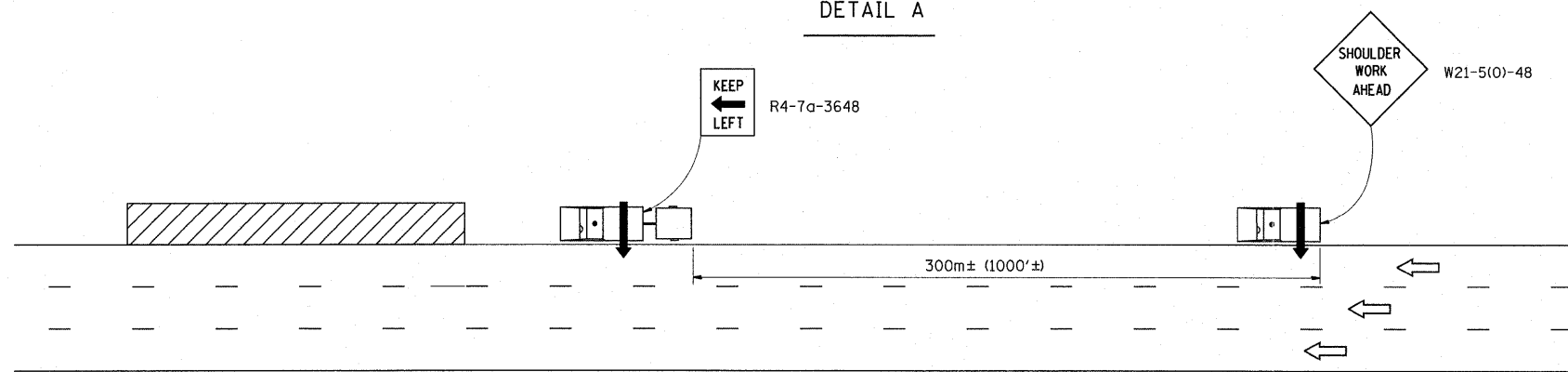
- 1. OUTBOUND INTERSTATE 55 AT KEDZIE AVENUE



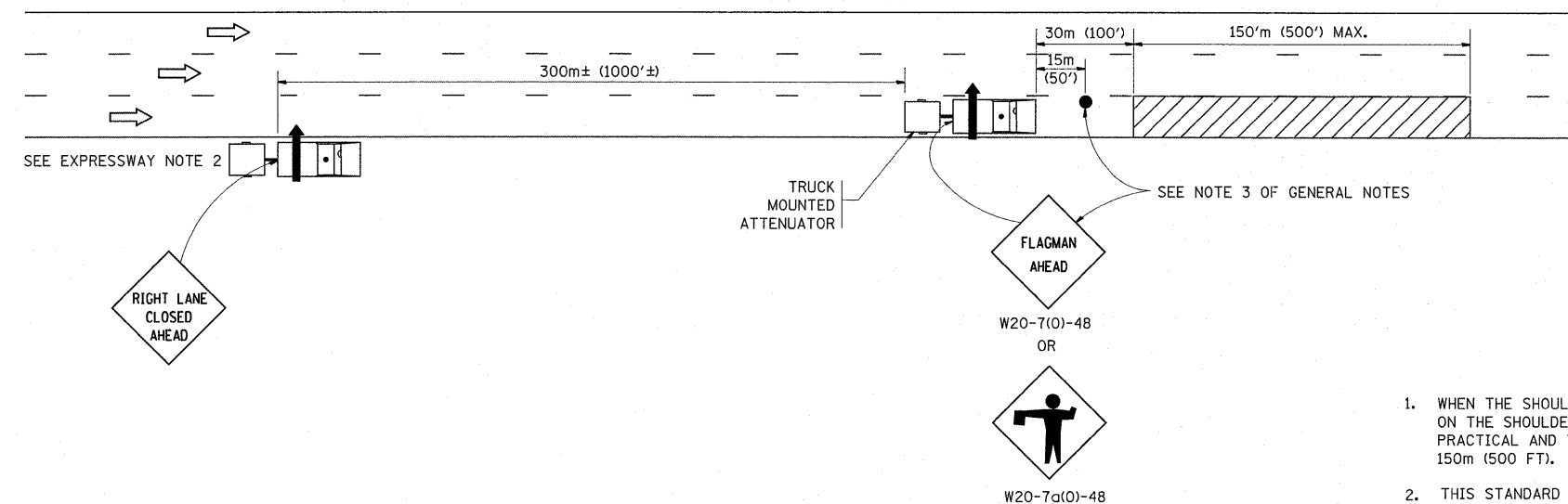
- DISTRICT NO. 1
- STATE HIGHWAYS & EXPRESSWAYS WITHIN STATE JURISDICTION (EXCEPT TOLLWAYS)
 - STATE HIGHWAYS & EXPRESSWAYS TO BE CLEANED
 - FUTURE HIGHWAYS
 - VARIOUS AGENCIES HIGHWAYS

FILE NAME =	USER NAME = mdyjs	DESIGNED -	REVISED -	STATE OF ILLINOIS DEPARTMENT OF TRANSPORTATION	I-55 EXPRESSWAY CLEANING LOCATION MAP	F.A.I. RTE.	SECTION	COUNTY	TOTAL SHEETS	SHEET NO.	
c:\pwork\pwsdot\mdyjs\d0136184\SweepingContract2009.dgn		DRAWN -	REVISED -			55	2011-028-1	COOK & DuPAGE	8	6	
PLOT SCALE = 50.0000' / IN.		CHECKED -	REVISED -			CONTRACT NO. 60P29					
PLOT DATE = 4/1/2011		DATE -	REVISED -			ILLINOIS FED. AID PROJECT					
SCALE:						SHEET NO. OF SHEETS STA. TO STA.					

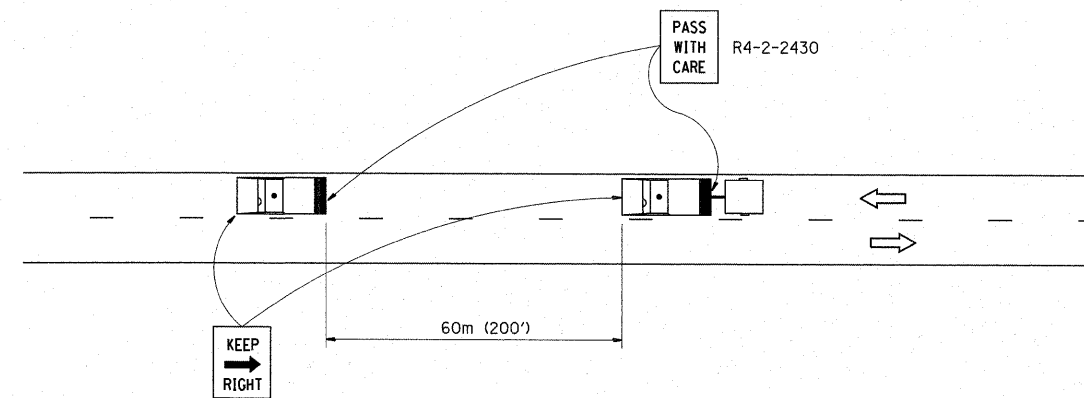
DETAIL A



DETAIL B



DETAIL C



GENERAL NOTES

1. WHEN THE SHOULDER DOES NOT EXIST, OR IS NARROW, FOLLOWING VEHICLES SHOWN ON THE SHOULDER SHALL RIDE AS CLOSE TO THE EDGE OF THE TRAVELLED WAY AS PRACTICAL AND THE SPACING TO THE NEXT VEHICLE REDUCED TO APPROXIMATELY 150m (500 FT).
2. THIS STANDARD IS ALSO APPLICABLE WHEN WORK IS BEING PERFORMED IN THE LEFT LANE(S) OR ON THE MEDIAN SHOULDER. UNDER THESE CONDITIONS, "KEEP RIGHT" SIGNS SHALL BE SUBSTITUTED FOR "KEEP LEFT" SIGNS AND ARROW BOARD INDICATIONS SHALL BE DIRECTED TO THE RIGHT.
3. WHEN FLAGGERS ARE SPECIFIED, FLAGGER SIGNS SHALL BE PLACED AS SHOWN.
4. WHEN USING DETAIL B, OR WHERE WORKERS ARE IN THE LEAD VEHICLE, OTHER THAN IN THE CAB, THE FOLLOWING VEHICLE SHALL BE POSITIONED BEHIND THE LEAD VEHICLE AND THE SPACING REDUCED TO APPROXIMATELY 150m (500 FT).
5. LONGITUDINAL DISTANCES MAY BE ADJUSTED TO FIT FIELD CONDITIONS. THE LATERAL PLACEMENT OF THE FLAGGER MAY BE VARIED FROM THAT SHOWN.
6. WATER TRUCKS USED TO CONTROL DUST PROPAGATION ARE ALLOWED TO OPERATE BY THEMSELVES. THEY SHALL AVOID SUDDEN STOPS.
7. ALL VEHICLES SHALL HAVE HEADLIGHTS AND EMERGENCY FLASHERS OPERATING AND SHALL DISPLAY AN AMBER COLORED OSCILLATING, ROTATING OR FLASHING LIGHT(S). AT LEAST ONE AMBER LIGHT IS TO BE VISIBLE FROM ANY DIRECTION.
8. ALL SWEEPERS, SIGN CLEANING TRUCKS, WATER TRUCKS AND FOLLOW VEHICLES SHALL HAVE ARROW BOARDS, AND APPROPRIATE SIGNS.

SYMBOLS

- ARROW BOARD (HAZARD MODE ONLY)
- ARROW BOARD
- FLAGGER WITH TRAFFIC CONTROL SIGNS
- WORK AREA
- TRUCK WITH FLASHING AMBER LIGHT
- TRUCK WITH FLASHING AMBER LIGHT AND TRUCK MOUNTED ATTENUATOR

EXPRESSWAY NOTES

1. A FOLLOW VEHICLE(S) WITH ARROW BOARD IS REQUIRED AT ALL TIMES.
2. TRUCK MOUNTED ATTENUATORS ARE REQUIRED ON ALL CLEANING OPERATIONS.
3. WHEN WITHIN THE INNER CITY LIMITS OR ON SHOULDERS THAT ARE TOO NARROW FOR THE FOLLOW VEHICLE, THE SECOND FOLLOW VEHICLE SHALL HAVE A TRUCK MOUNTED ATTENUATOR.
4. WHEN WORKING ON RAMP, THE SECOND FOLLOW VEHICLE SHALL REMAIN ON THE MAINLINE SHOULDER IN ADVANCE OF THE RAMP. THE FOLLOW VEHICLE SHALL HAVE A "RAMP WORK AHEAD" SIGN.
5. SIGN CLEANING SHALL HAVE THE SAME TRAFFIC CONTROL AND PROTECTION REQUIREMENTS AS OUTLINED FOR SWEEPING OPERATIONS.

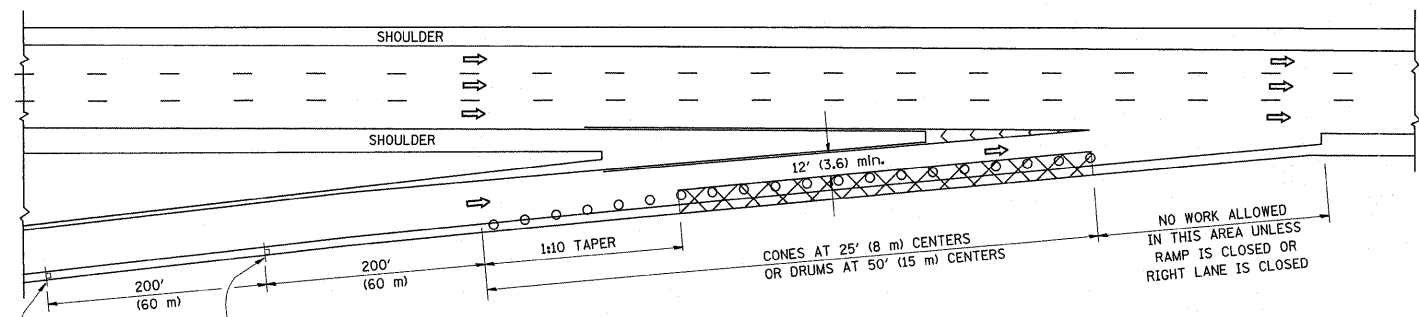
ARTERIAL NOTES

1. DETAIL C SHALL APPLY
2. TRUCK MOUNTED ATTENUATORS ARE REQUIRED ON ALL CLEANING OPERATIONS.

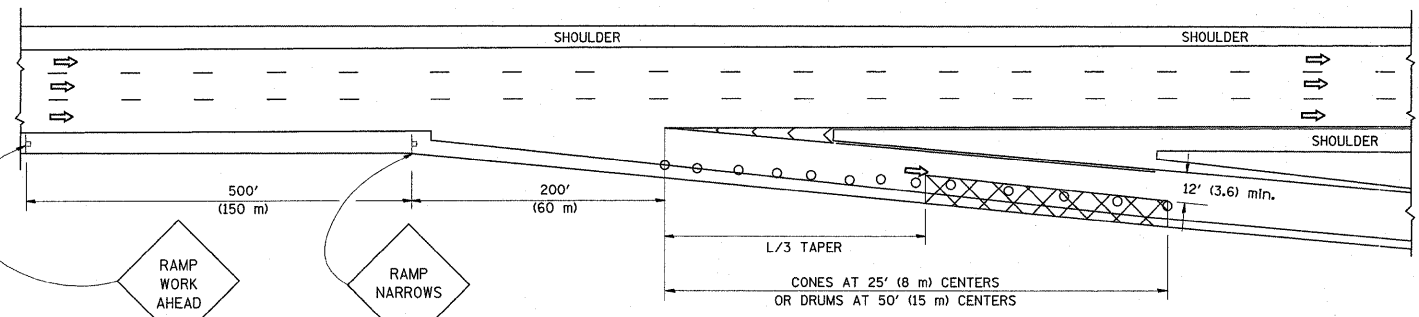
FILE NAME =	USER NAME = mdyja	DESIGNED -	REVISED -	STATE OF ILLINOIS DEPARTMENT OF TRANSPORTATION	DISTRICT ONE DETAILS: TYPICAL APPLICATION OF TRAFFIC CONTROL DEVICES HIGHWAY OPERATIONS-DAY TIME ONLY			F.A.I. RTE.	SECTION	COUNTY	TOTAL SHEETS	SHEET NO.
ct\pw_work\pw\dot\mdyja\d0136184\SweepingContract2009.dgn	PLOT SCALE = 50:0000' / IN.	DRAWN -	REVISED -					55	2011-028-I	COOK & DU PAGE	8	7
	PLOT DATE = 4/1/2011	CHECKED -	REVISED -		SCALE: SHEET NO. OF SHEETS STA. TO STA.			ILLINOIS FED. AID PROJECT				
		DATE -	REVISED -		CONTRACT NO. 60P29							

PARTIAL RAMP CLOSURE DETAILS

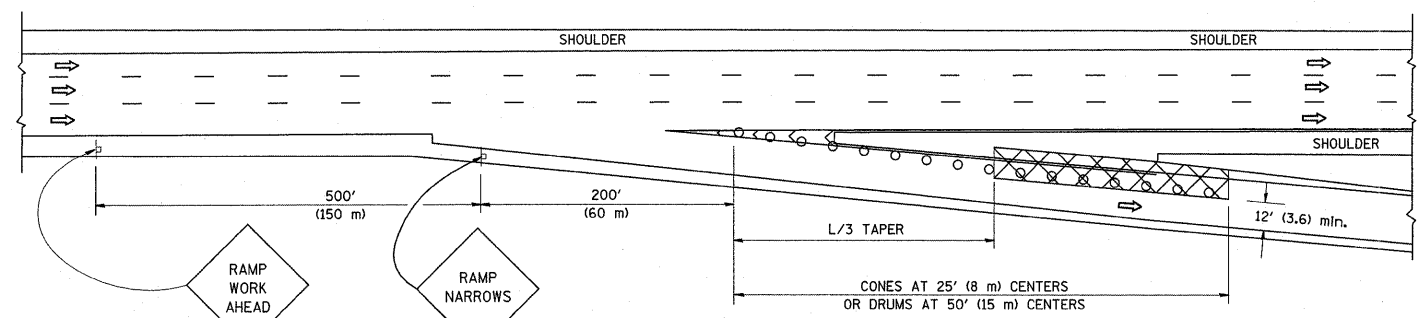
SHOULDER CLOSURE DETAILS



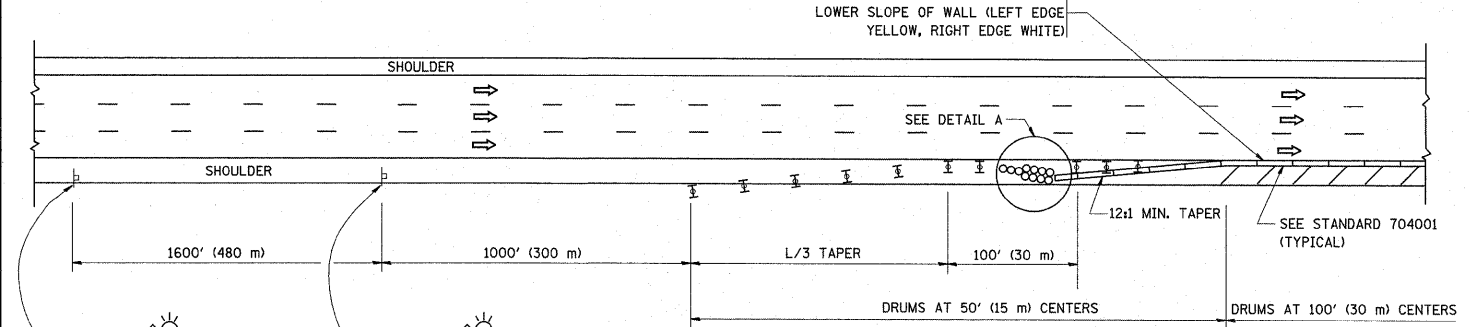
TYPICAL ENTRANCE RAMP



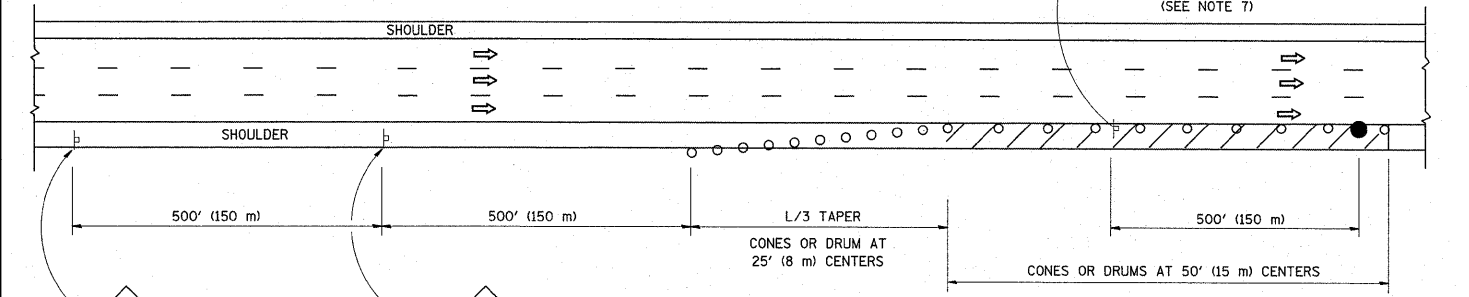
TYPICAL EXIT RAMP



TYPICAL EXIT RAMP



PERMANENT SHOULDER CLOSURE



DAYTIME SHOULDER CLOSURE

SYMBOLS

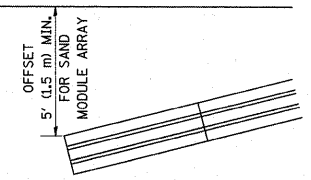
- ACTIVE WORK AREA
- SIGN ON PORTABLE OR PERMANENT SUPPORT
- FLAGGER WITH CONTROL SIGN
- TYPE II BARRICADE, DRUM OR VERTICAL BARRICADE WITH STEADY BURN MONO-DIRECTIONAL LIGHT
- CONE, DRUM OR BARRICADE

GENERAL NOTES

1. THE "L" DISTANCE EQUALS:

SPEED LIMIT	FORMULAS
45 mph (80 km/h) OR GREATER:	METRIC ENGLISH $L = 0.65(W)(S)$ $L = (W)(S)$
W = WIDTH OF OFFSET IN FEET (METERS)	
S = NORMAL POSTED SPEED MPH (KM/H)	
2. PLASTIC DRUMS WITH HIGH PERFORMANCE REFLECTIVE SHEETING AND STEADY BURNING LIGHTS ARE REQUIRED FOR ALL NIGHTTIME CLOSURES.
3. ALL SIGNS SHALL BE POST MOUNTED IF THE CLOSURE TIME EXCEEDS FOUR DAYS.
4. FLASHING LIGHTS SHALL BE USED DURING THE HOURS OF DARKNESS AND SHALL BE INSTALLED ABOVE THE FIRST TWO SETS OF SIGNS.
5. THE IMPACT ATTENUATOR, TEMPORARY IS NOT REQUIRED WHEN THE TEMPORARY CONCRETE BARRIER WALL IS PROTECTED BY OR IS TIED INTO THE EXISTING GUARDRAIL. IF OFFSET IS LESS THAN 5 FEET USE NARROW USE TYPE DEVICE TO MEET NCHRP350.
6. AUTHORIZATION FROM THE DISTRICT'S BUREAU OF TRAFFIC IS REQUIRED FOR ALL FREEWAY CLOSURES.
7. THE FLAGGER AND FLAGGER SIGN ARE REQUIRED AT THE ABOVE WORK SITES WHEN:
 - a. FOUR OR MORE WORK VEHICLES ENTER THE TRAFFIC LANES IN A ONE HOUR PERIOD.
 - b. THE WORK ACTIVITY REQUIRES FREQUENT ENCROACHMENT INTO THE LANE OPEN TO TRAFFIC. THE FLAGGER SHALL BE STATIONED APPROXIMATELY 100' (30 m) TO 200' (60 m) IN ADVANCE OF THE WORKERS.

ARRAY DESIGN PER MANUFACTURER TO BE NCHRP 350 COMPLIANT.



DETAIL "A" IMPACT ATTENUATOR, TEMPORARY (SEE NOTE 5)

ALL DIMENSIONS ARE IN INCHES (MILLIMETERS) UNLESS OTHERWISE SHOWN.

FILE NAME =	USER NAME = midyjm	DESIGNED -	REVISED - 04-03	STATE OF ILLINOIS DEPARTMENT OF TRANSPORTATION	TRAFFIC CONTROL DETAILS FOR FREEWAY SHOULDER CLOSURES AND PARTIAL RAMP CLOSURES	F.A.I. RTE. 55	SECTION 2011-028-1	COUNTY COOK & DuPAGE	TOTAL SHEETS 8	SHEET NO. 8
PLLOT SCALE = 50,0000' / IN.	DRAWN - D.W.S.	CHECKED -	REVISED - J.A.F. 12-06		SCALE: NONE	SHEET NO. 1 OF 1 SHEETS	STA.	TO STA.	TC-17	CONTRACT NO. 60P29
PLLOT DATE = 4/1/2011	DATE - 11-96	CHECKED -	REVISED - S.P.B. 01-07		FED. ROAD DIST. NO. 1 [ILLINOIS] FED. AID PROJECT					
	DATE - 11-96	CHECKED -	REVISED - S.P.B. 12-09							