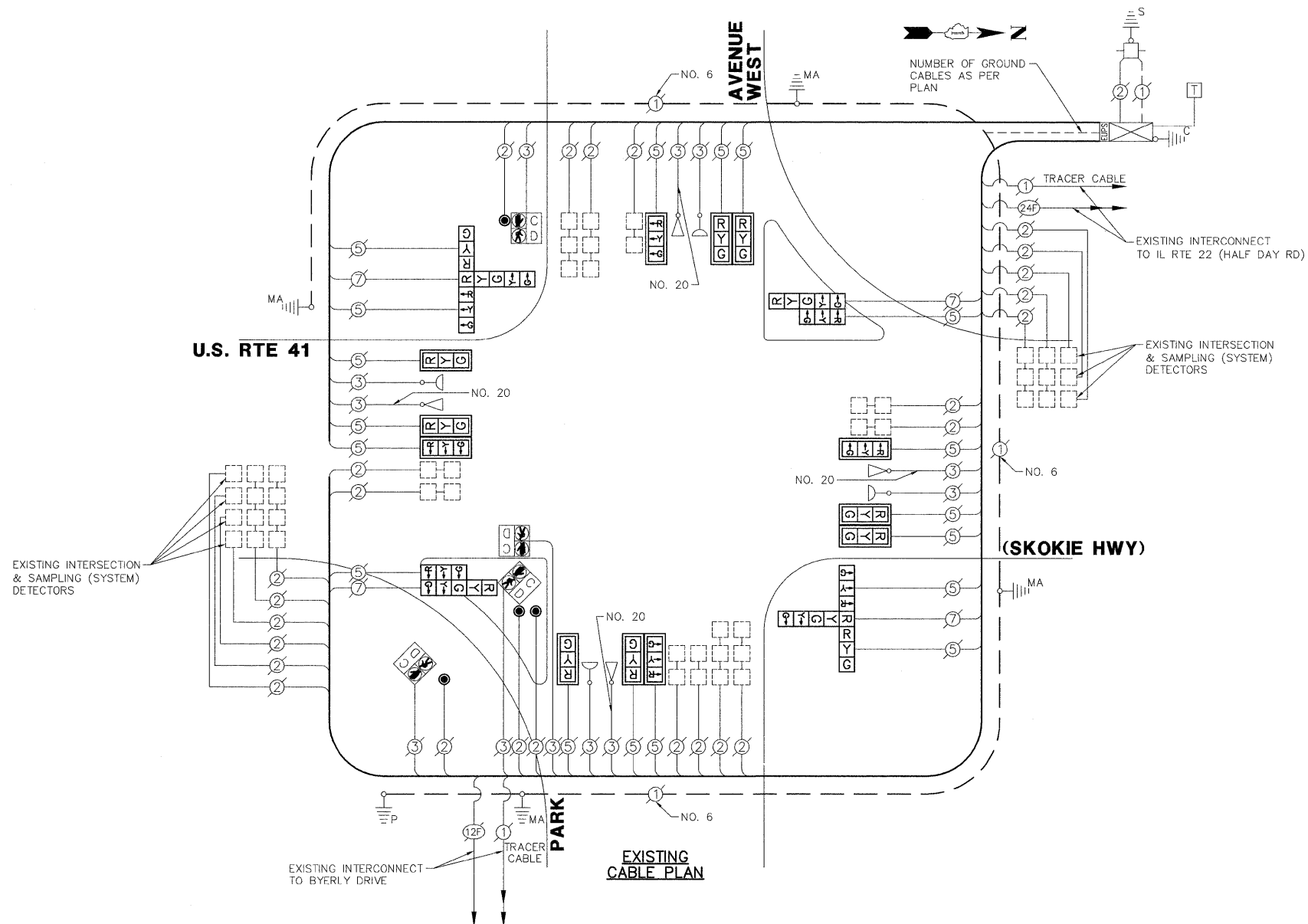
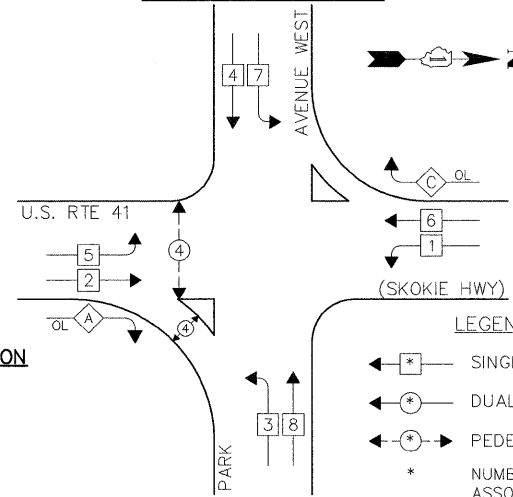


SCHEDULE OF QUANTITIES
U.S. RTE 41 (SKOKIE HIGHWAY) AT PARK AVENUE WEST

NO.	QUANT.	UNIT	DESCRIPTION
1.	190	SQ FT	PORTLAND CEMENT CONCRETE SIDEWALK 5 INCH
2.	48	SQ FT	DETECTABLE WARNINGS
3.	150	SQ FT	SIDEWALK REMOVAL
4.	300	FOOT	THERMOPLASTIC PAVEMENT MARKING - LINE 6"
5.	150	SQ FT	THERMOPLASTIC PAVEMENT MARKING REMOVAL
6.	1	EACH	MAINTENANCE OF EXISTING TRAFFIC SIGNAL INSTALLATION
7.	4	EACH	PEDESTRIAN PUSH-BUTTON
8.	1	EACH	REMOVE EXISTING TRAFFIC SIGNAL EQUIPMENT
9.	12	EACH	RETROREFLECTIVE TRAFFIC SIGNAL BACKPLATE
10.	2	EACH	SIGNAL HEAD, LED, 2-FACE, 1-3 SECTION, 1-5 SECTION, BRACKET MOUNTED, RETROFIT
11.	12	EACH	SIGNAL HEAD, LED, 1-FACE, 3-SECTION, MAST ARM MOUNTED, RETROFIT
12.	2	EACH	SIGNAL HEAD, LED, 3-FACE, 2-3-SECTION, 1-5 SECTION, BRACKET MOUNTED, RETROFIT



EXISTING CONTROLLER SEQUENCE



RIGHT TURN OVERLAP PHASE DESIGNATION

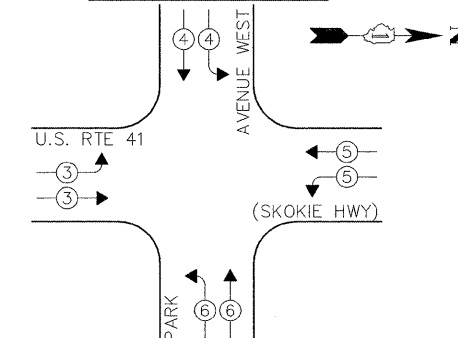
OVERLAP LETTER	PERMISSIVE PHASE	PROTECTED PHASE
A	= 2	+ 3
C	= 6	+ 7

EXISTING PHASE DESIGNATION DIAGRAM

- LEGEND:**
- ◀ * → SINGLE ENTRY PHASE
 - ◀ * → DUAL ENTRY PHASE
 - ◀ * → PEDESTRIAN PHASE
 - * NUMBER REFERS TO ASSOCIATED PHASE
 - ◀ * OL → OVERLAP

EXISTING EMERGENCY VEHICLE PREEMPTORS				
EMERGENCY VEHICLE PREEMPTOR	3	4	5	6
MOVEMENT	→	←	↔	↔

EXISTING EMERGENCY VEHICLE PREEMPTION SEQUENCE



I.D.O.T. TRAFFIC SIGNAL INSTALLATION ELECTRICAL SERVICE REQUIREMENTS					TOTAL WATTAGE
TYPE	NO. LAMPS	INCAND.	L.E.D.	% OPERATION	
SIGNAL (RED)	22	135	17	0.50	187.0
SIGNAL (YELLOW)	22	135	25	0.25	137.5
SIGNAL (GREEN)	22	135	15	0.25	82.5
ARROW	8	135	12	0.10	9.6
PED. SIGNAL	4	90	25	1.00	100.0
CONTROLLER	1	-	100	1.00	100.0
LUMINAIRE	-	-	250	0.50	-
L.E.D. ST. NAME SIGN	-	-	64	0.50	-
VIDEO SYSTEM	-	-	150	1.00	-
BATTERY BACKUP	1	-	25	1.00	25.0
ILLUMINATED SIGN	-	-	25	0.05	-
TOTAL =					641.6

ENERGY COSTS - BILLED TO: CITY OF HIGHLAND PARK
(ADDRESS) 1707 ST. JOHNS AVENUE
(ADDRESS) HIGHLAND PARK IL, 60035
ENERGY SUPPLY - CONTACT: JEAN WILL
PHONE: (847) 816-5455
COMPANY: COMED

THE TRAFFIC SIGNAL CONTROL EQUIPMENT FOR THIS PROJECT SHALL BE "ECONOLITE" TO MATCH THE EXISTING ADJACENT SYSTEM.

FILE NAME = 4085.874-TR1.dwg	USER NAME = ZACH WALLSTEN	DESIGNED - JRD	REVISED -
		DRAWN - JRM	REVISED -
	PLOT SCALE = 1" = .0833'	CHECKED - KLB	REVISED -
	PLOT DATE = 6/30/2011	DATE - 6/30/2011	REVISED -

**STATE OF ILLINOIS
DEPARTMENT OF TRANSPORTATION**

**SCHEDULE OF QUANTITIES, CABLE PLAN, PHASE DESIGNATION
DIAGRAM, & EMERGENCY VEHICLE PREEMPTION SEQUENCE
U.S. RTE 41 (SKOKIE HWY) AT PARK AVENUE WEST**

SCALE: N.A. SHEET NO. OF SHEETS STA. TO STA.

F.A.P. RTE. 346	SECTION 2011-042-TS	COUNTY LAKE	TOTAL SHEETS 62	SHEET NO. 14
CONTRACT # 60P49			GHA #4085.874	
ILLINOIS FED. AID PROJECT				