

Benchmark : Benchmark #1 - Cut "□" in S.E. corner of conc. base of stone monument north of 119 St. between Kean Ave. ramps. Elev. 656.39

Existing Structure: S.N. 016-0921 built as Route SA-213 Sec. 213-0102-150 in 1933. The structure is a one span, cast in place, reinforced concrete T-beam bridge. 30'-6" bk.-bk. abutments and 57'-2" o-o deck, on closed abutments. The contractor shall remove the existing structure. Road to be closed and traffic detoured.

Salvage: None

WATERWAY INFORMATION

Drainage Area = 10.8 mi² Exist. Low Grade Elev. = 635.10 ft. Sta. 20+00
 Prop. Low Grade Elev. = 635.10 ft. Sta. 20+50

Flood	Freq. Yr.	Q C.F.S.	Opening Sq. Ft.		Nat. H.W.E.	Head - Ft.		Headwater El.	
			Exist.	Prop.		Exist.	Prop.	Exist.	Prop.
Design	10	669	133	173	625.50	0.00	0.00	625.50	625.50
Base	50	1400	179	263	627.40	0.00	0.00	627.40	627.40
Overtopping	100	1830	194	300	628.10	1.60	0.00	629.70	628.10
Max. Calc.	>500	2500	215	373	629.40	3.00	0.00	632.40	629.40

LOADING HS20-44
 Allow 50 psf for future wearing surface

DESIGN SPECIFICATIONS
 2002 AASHTO

DESIGN STRESSES
 FIELD UNITS

f'c = 3,500 psi
 fy = 60,000 psi (Reinforcement)

PRECAST PRESTRESSED UNITS

f'c = 6000 psi
 f'ci = 5000 psi
 f's = 270,000 psi (1/2" low lax. strands)
 f'si = 201,960 psi (1/2" low lax. strands)

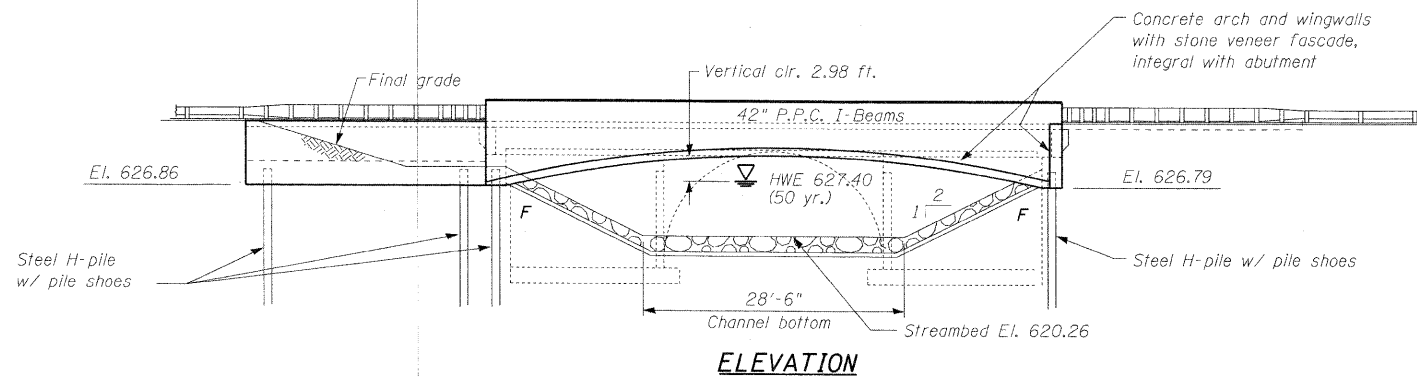
NAME PLATE

See Std. 515001

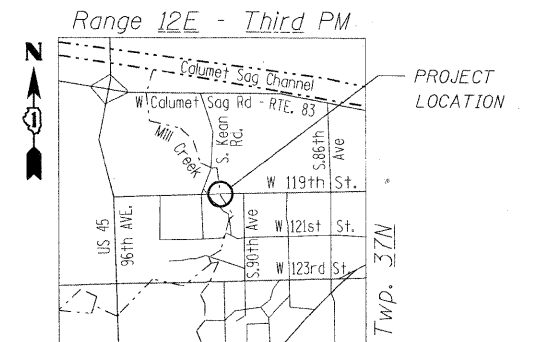
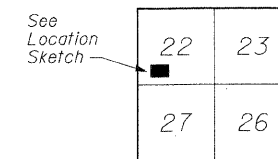
NOTE:
 Existing Name Plates shall be cleaned and relocated next to new Name Plate.
 See General Note 7 on Sheet 2 of 24.

SEISMIC DATA

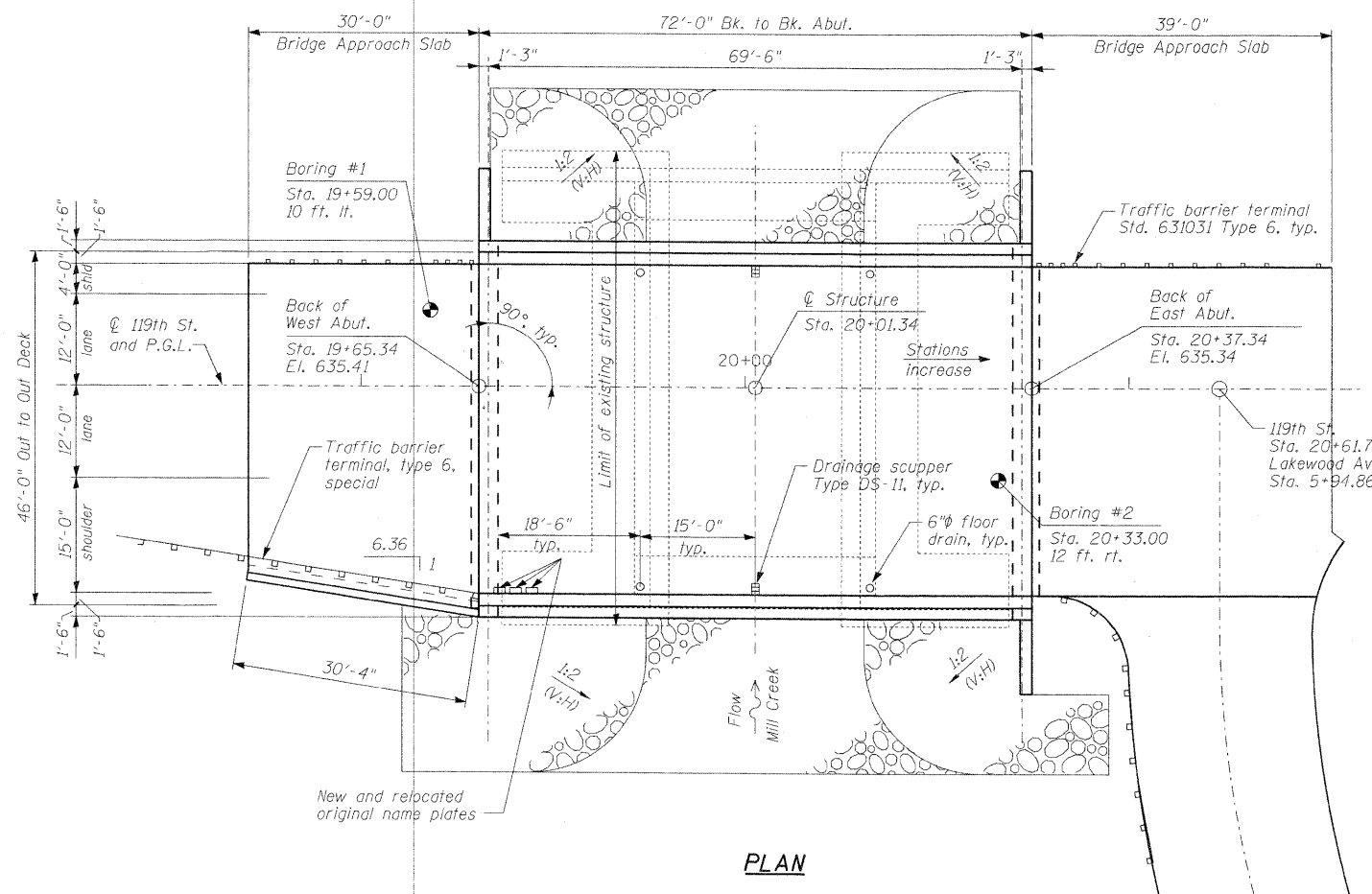
SPC = A
 A = 0.04g
 S = 1.0



ELEVATION



LOCATION SKETCH

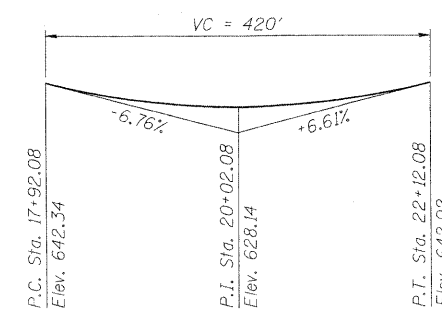


PLAN

APPROVED
 FOR STRUCTURAL ADEQUACY ONLY
 [Signature]
 ENGINEER OF BRIDGES AND STRUCTURES



[Signature]
 WILLIAM H. EPP, S.E.
 IL. LIC. NO. 081-005150
 EXP. 11/30/2017
 DATE 07/05/11



PROFILE GRADE
 Along Center Roadway

GENERAL PLAN AND ELEVATION
119th ST OVER MILL CREEK
 OR RT. 213
 SECTION 0102B-1
 COOK COUNTY
 STA. 20+01.34
 STRUCTURE NO. 016-2831

LOXCO, INC.
 CONSULTING ENGINEERS
 1560 WALL ST, SUITE 222
 NAPERVILLE, ILLINOIS 60563 PH: (630) 577-9100

DESIGNED - MJM	REVISED -
CHECKED - WHE	REVISED -
DRAWN - SLV	REVISED -
CHECKED - MJM	REVISED -

STATE OF ILLINOIS
DEPARTMENT OF TRANSPORTATION

OR RTE.	SECTION	COUNTY	TOTAL SHEETS	SHEET NO.
213	0102B-1	COOK	54	15
D-91-052-02			CONTRACT NO. 62390	
[ILLINOIS] FED. AID PROJECT				