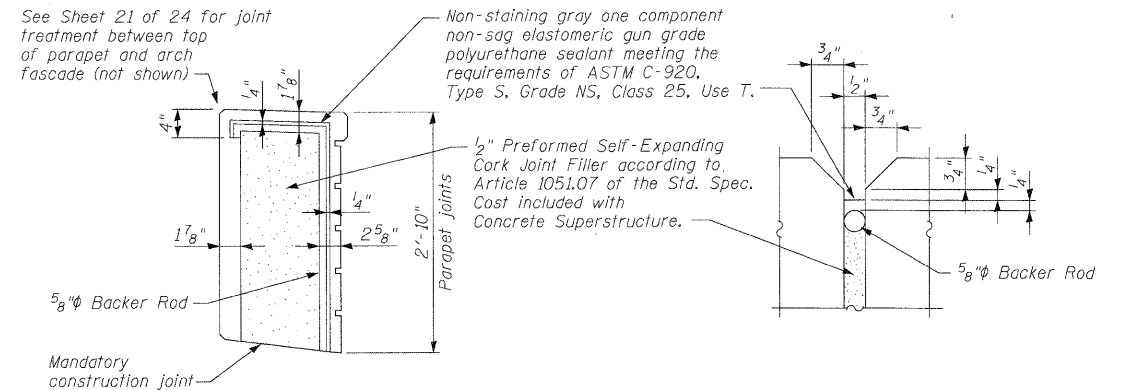
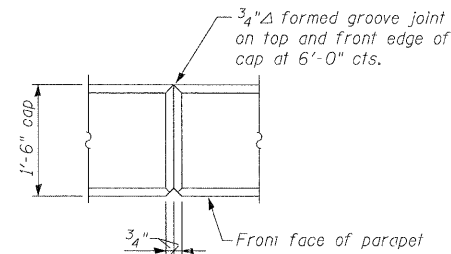


INSIDE ELEVATION OF PARAPET

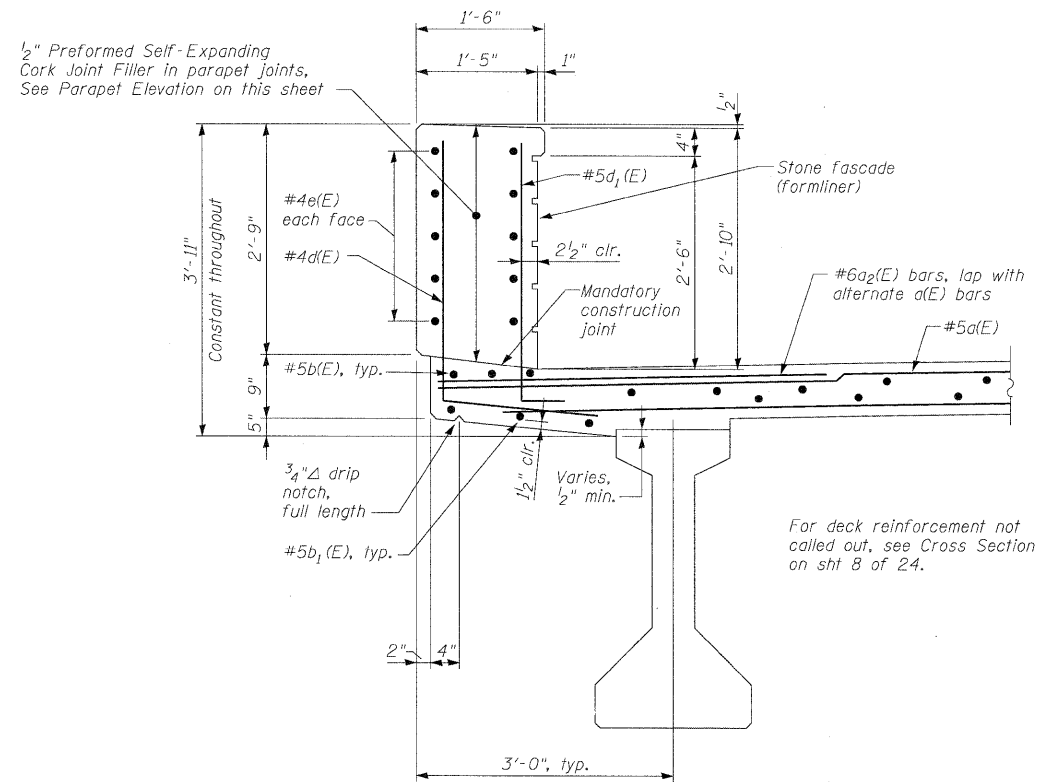
Typical each side of bridge



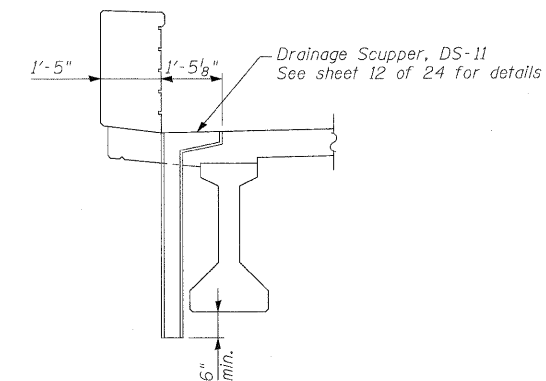
PARAPET JOINT DETAIL



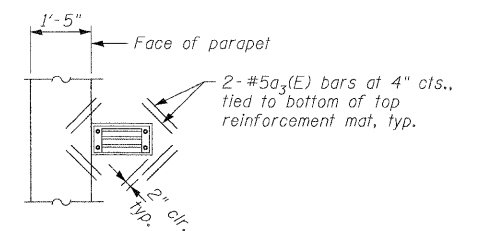
CAP JOINT DETAIL



SECTION THROUGH PARAPET



DRAINAGE SCUPPER AT PARAPET



DRAINAGE SCUPPER PLAN

NOTES:

Space reinforcement to miss floor drains. Cut longitudinal reinforcement to clear drainage scuppers.
Formliner Textured Surface and Concrete Surface Color Treatment shall be in accordance with the Special Provisions.