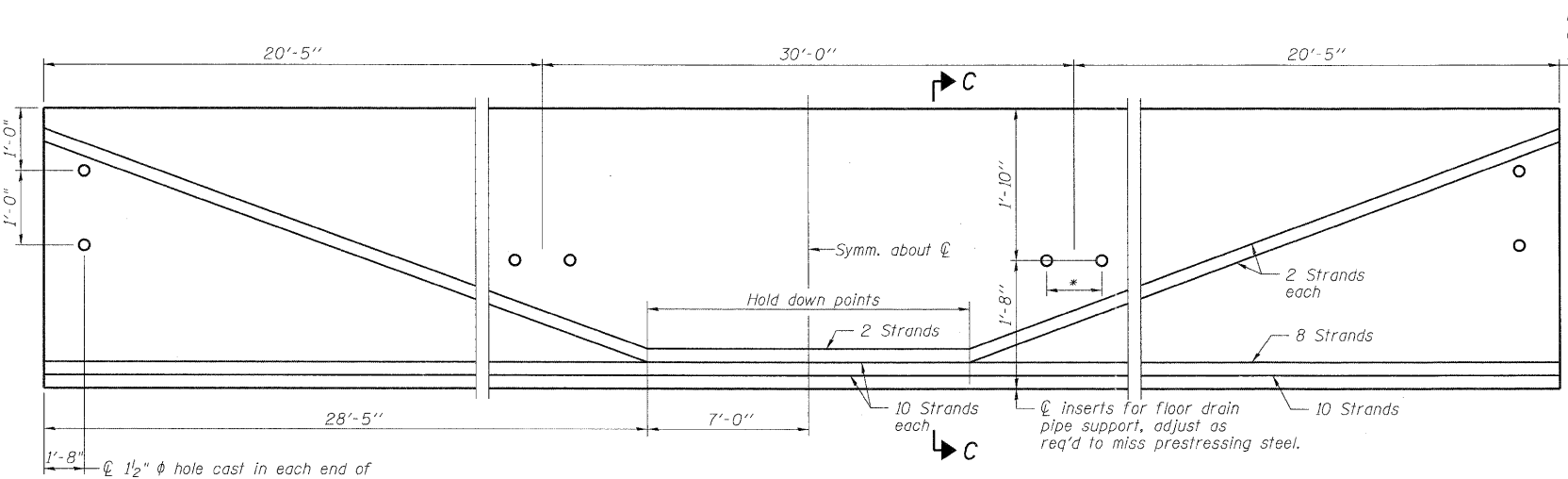
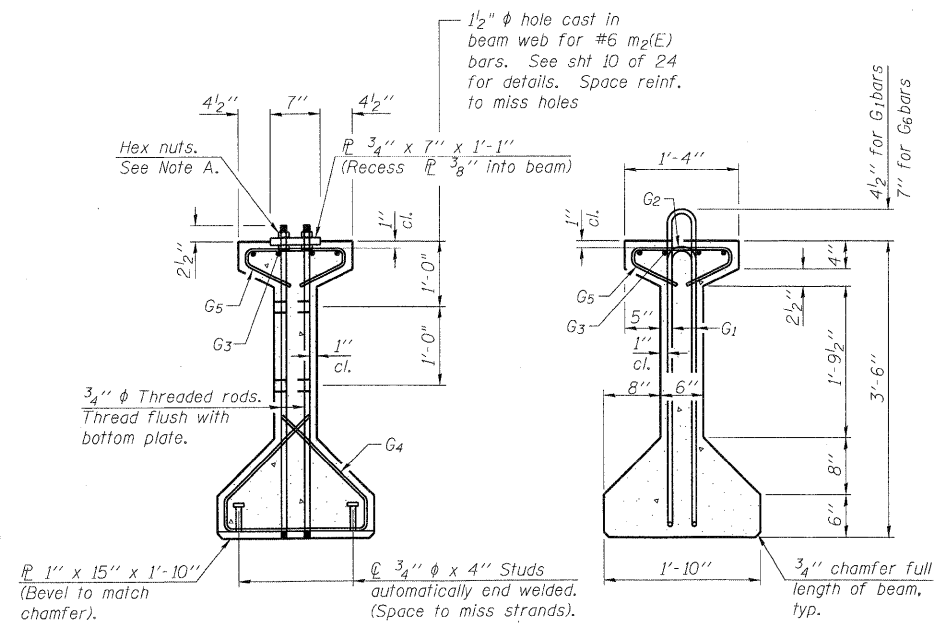


ELEVATION OF BEAM
(Showing reinforcement & dimensions)

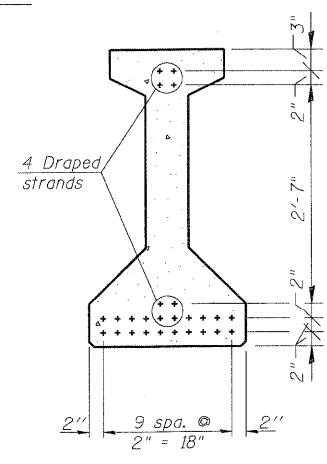
*3 spaces at 3" = 9".
**4-3/4" ϕ threaded dowel rods at 3" cts., Each Face.

Note A:
Hex nuts (top and bottom) with lock washers (top). Only tighten sufficiently to compress lock washers.



ELEVATION OF BEAM
(Showing prestressing steel)

*See sht 11 of 24 for insert spacing.



*****BAR LIST**
ONE BEAM ONLY

Bar	No.	Size	Length	Shape
G ₁	25	#4	8'-5"	\bar{N} L
G ₂	10	#4	6'-8"	\bar{N}
G ₃	8	#6	36'-9"	\bar{N}
G ₄	38	#3	4'-11"	\bar{N}
G ₅	71	#3	2'-6"	\bar{N}
G ₆	28	#4	8'-10"	\bar{N} L

***For information only

Notes:
See sheet 17 of 24 for additional details and Bill of Material.
Required release strength, f'ci, shall be 5000 psi.