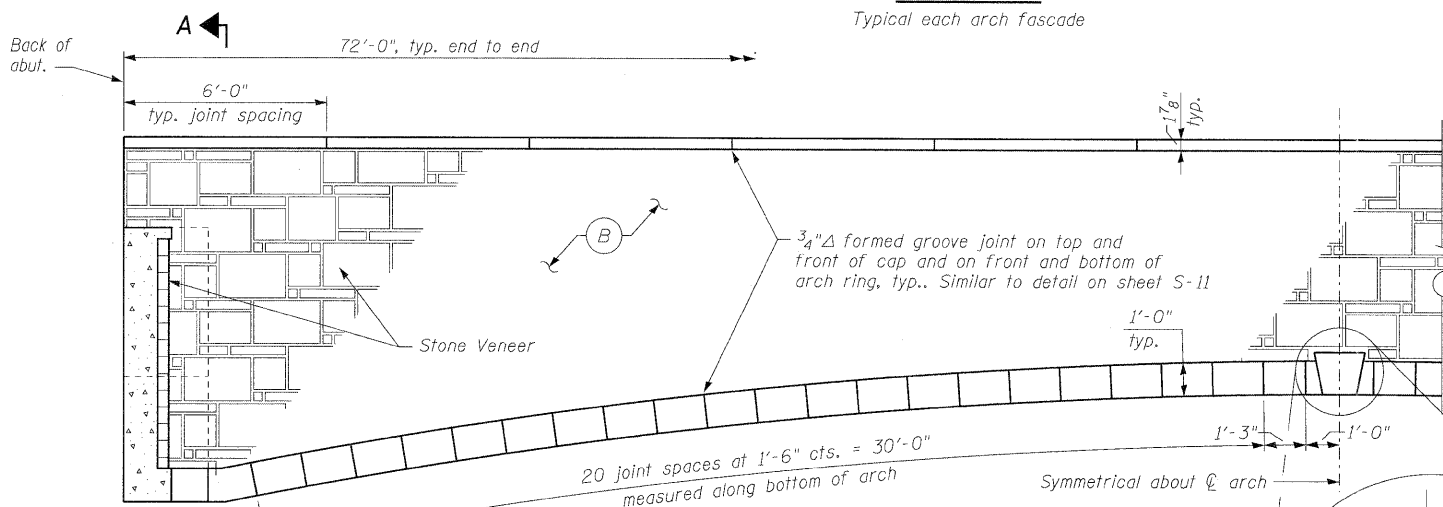


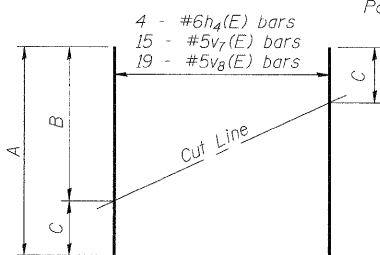
ELEVATION

Typical each arch fascade



OUTSIDE ELEVATION OF ARCH

Partial North fascade shown. South fascade is similar.



FIELD CUTTING DIAGRAM

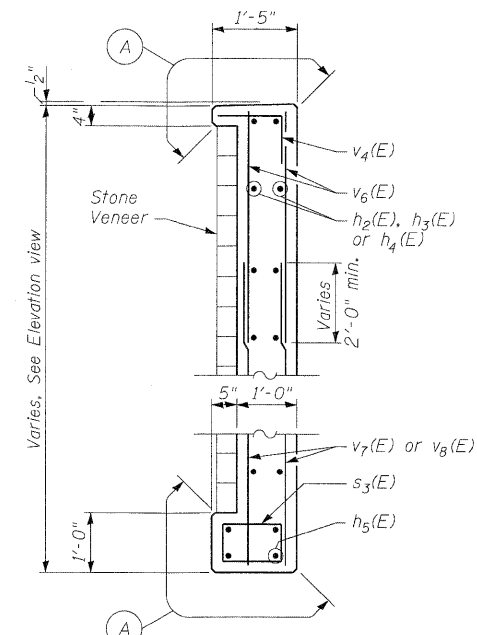
Order h4(E), v7(E), and v8(E) full length. Cut as shown and use remainder of bars in opposite face.

Dim.	h4(E)	v7(E)	v8(E)
A	27'-8"	13'-1"	9'-8"
B	22'-6"	7'-8"	5'-4"
C	5'-2"	5'-5"	4'-4"

NOTES:

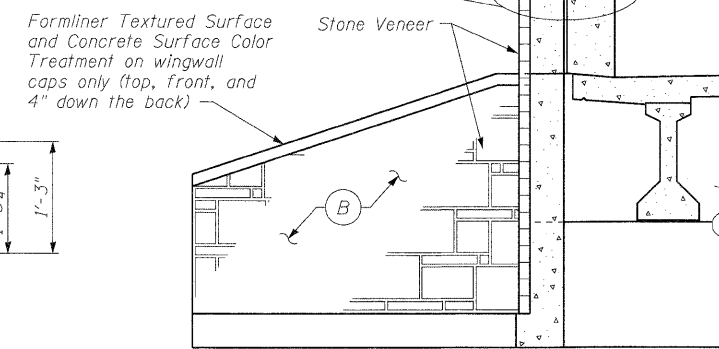
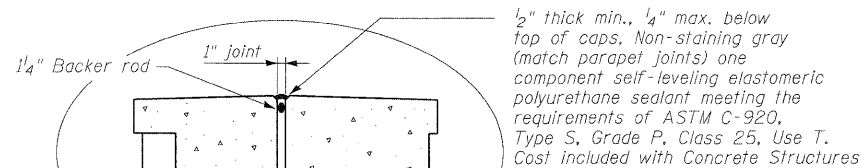
Reinforcement designated 4x2-#5, etc., indicates 4 lines of #5 bars with 2 bars per line.
See Sheet 19 of 24 for s3(E) and v4(E) bar details.
Minimum bar laps: #5 = 2'-7".
Stone Veneer, Formliner Textured Surface, and Concrete Surface Color Treatment shall be in accordance with the Special Provisions.

(B) Provide stainless steel masonry ties and dovetail anchor channel slots at 12" maximum centers horizontally on all surfaces that have stone veneer. (Cost included in Stone Veneer, typ.)



TYPICAL SECTION

(A) Limits of Formliner Textured Surface and Concrete Surface Color Treatment



SECTION A-A

Typical detail at three standard wingwalls

MINIMUM BAR LAP

#5 bar = 2'-7"

BILL OF MATERIAL

Bar	No.	Size	Length	Shape
h1(E)	48	#5	25'-4"	—
h2(E)	48	#6	12'-0"	—
h3(E)	24	#5	47'-0"	—
h4(E)	16	#6	27'-8"	—
h5(E)	24	#5	23'-10"	—
s3(E)	136	#4	4'-3"	□
v4(E)	216	#4	2'-2"	┌
v6(E)	268	#5	5'-3"	—
v7(E)	60	#5	13'-1"	—
v8(E)	76	#5	9'-8"	—
Item	Unit	Quantity		
Concrete Structures	Cu. Yd.	66.3		
Reinforcement Bars, Epoxy Coated	Pound	8320		
Stone Veneer	Sq. Ft.	1201		
Concrete Surface Color Treatment	Sq. Ft.	689		
Formliner Textured Surface	Sq. Ft.	689		