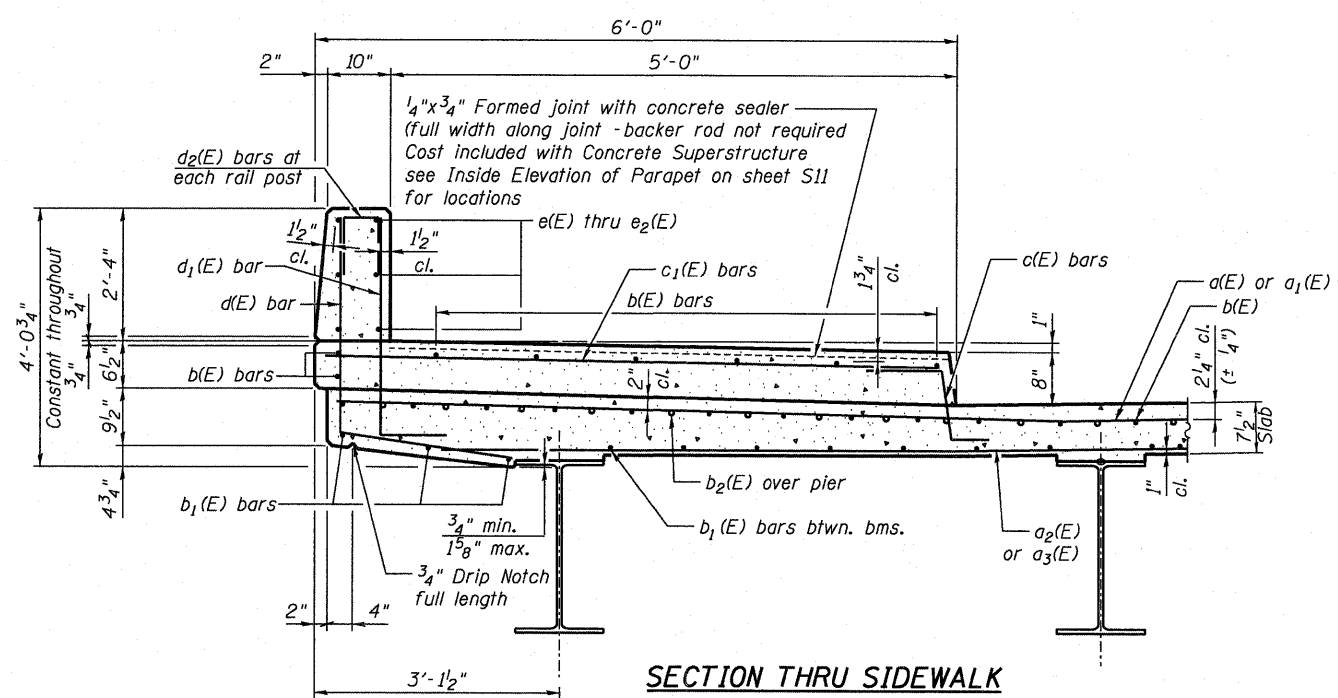
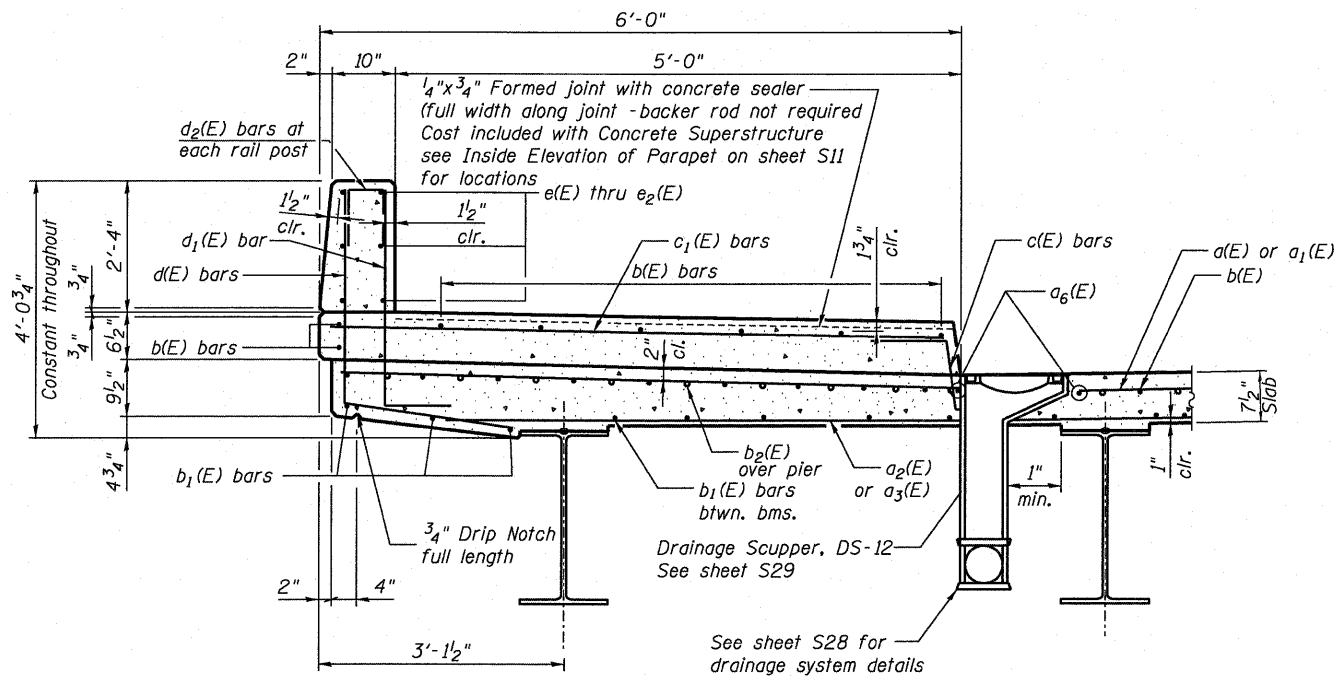


SECTION A-A



SECTION THRU SIDEWALK

- Notes:
1. For location of Sections A-A and B-B see sheet S9.
 2. For bar bending diagrams and Bill of Materials, see sheet S11.
 3. For Bridge Fence Railing details see sheet S20.



SECTION B-B

FILE NAME = ...\\0162121-810-DeckDetails.dgn	DESIGNED EV DRAWN JCP CHECKED PC DATE 07 01 2011	REVISED - REVISED - REVISED - REVISED -	<p>800 WEST FULTON STREET CHICAGO, ILLINOIS 60611-1209 TEL. 312.404.9100 FAX 312.588.1217 WEB www.sepstein.com</p>	<p>STATE OF ILLINOIS DEPARTMENT OF TRANSPORTATION</p>	<p>SUPERSTRUCTURE DETAILS 1 STRUCTURE NO. 016-2121</p> <p>SHEET NO. S10 OF S29 SHEETS</p>	F.A.P. RTE. 332	SECTION 0101.1 BR-3	COUNTY COOK	TOTAL SHEETS 60	SHEET NO. 25
ILLINOIS FED. AID PROJECT						CONTRACT NO. 62421				