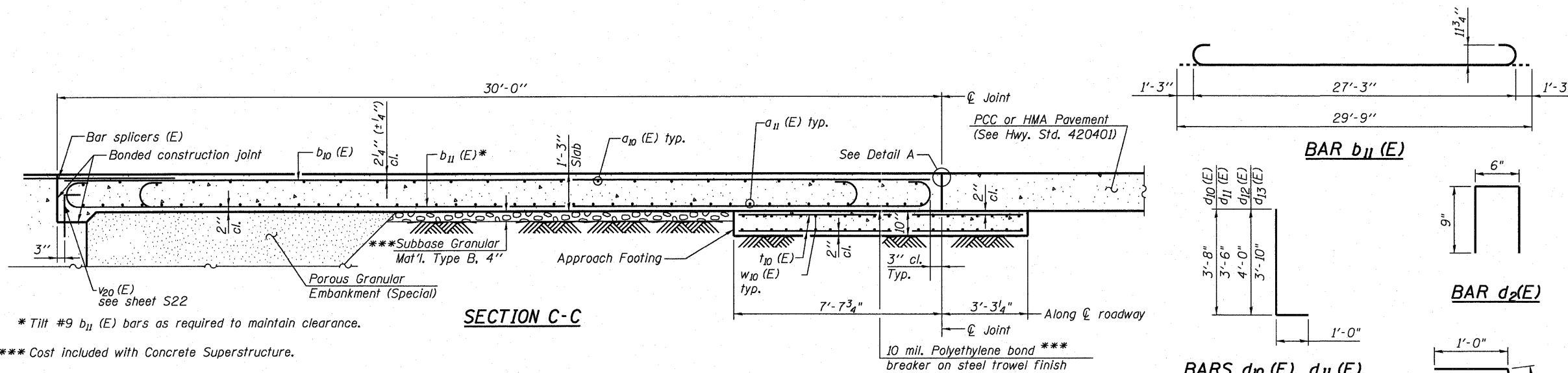


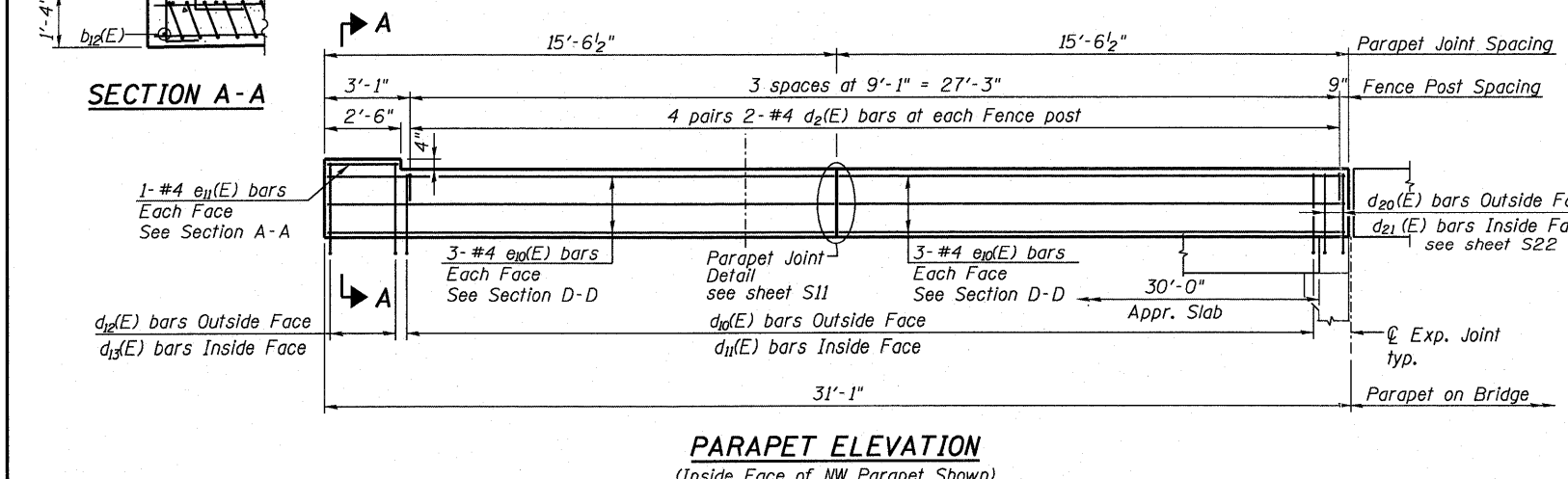
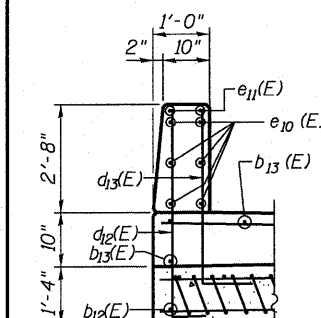
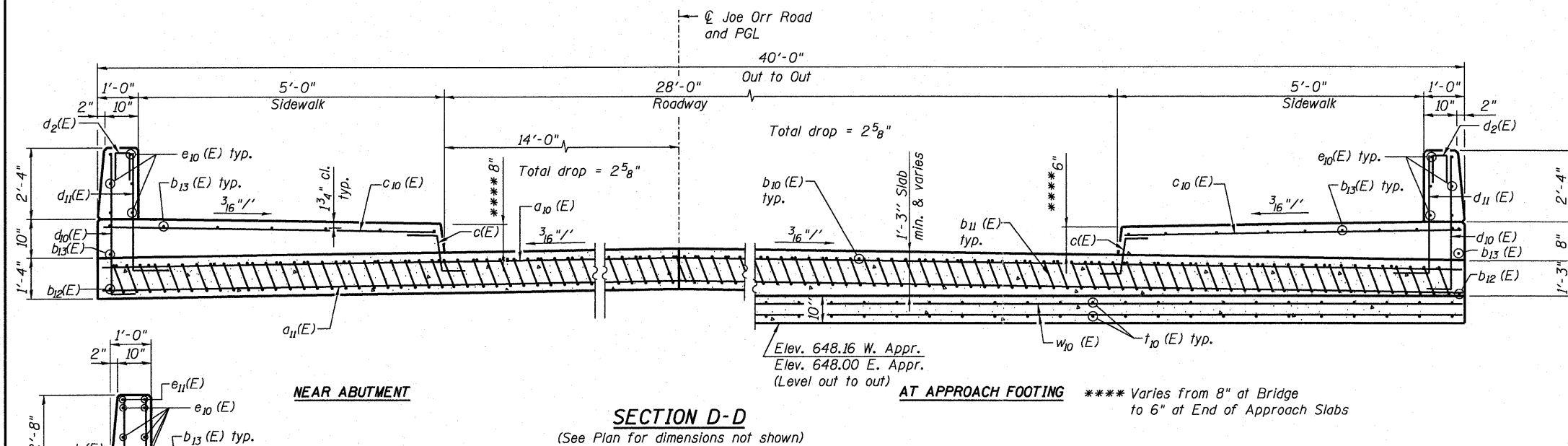
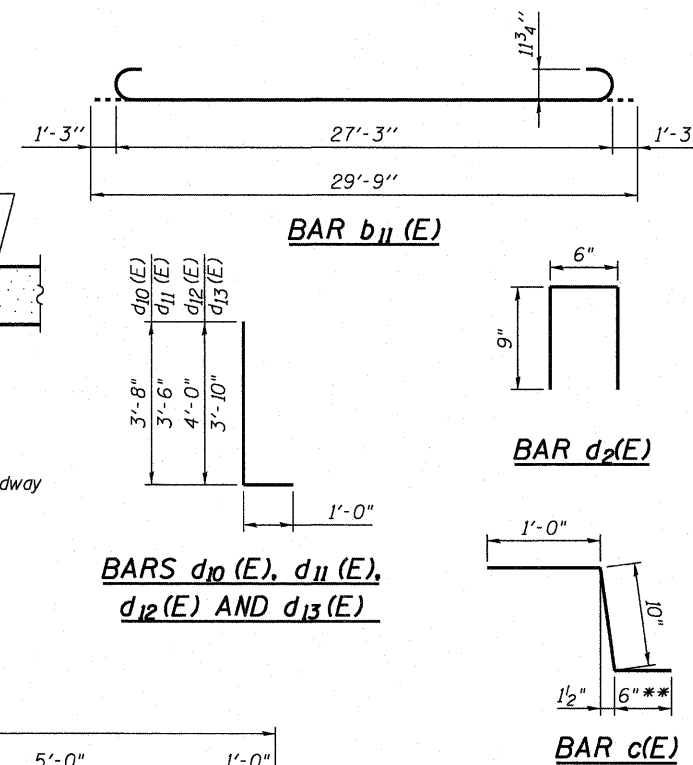
**TWO APPROACHES  
BILL OF MATERIAL**

| Bar                                 | No.     | Size | Length   | Shape |
|-------------------------------------|---------|------|----------|-------|
| a <sub>10</sub> (E)                 | 50      | #4   | 43' - 5" | —     |
| a <sub>11</sub> (E)                 | 92      | #5   | 43' - 5" | —     |
| b <sub>10</sub> (E)                 | 66      | #4   | 29' - 8" | —     |
| b <sub>11</sub> (E)                 | 194     | #9   | 29' - 9" | —     |
| b <sub>12</sub> (E)                 | 4       | #9   | 29' - 8" | —     |
| b <sub>13</sub> (E)                 | 32      | #5   | 29' - 8" | —     |
| c(E)                                | 124     | #5   | 2' - 4"  | —     |
| c <sub>10</sub> (E)                 | 124     | #5   | 6' - 3"  | —     |
| d <sub>2</sub> (E)                  | 32      | #4   | 2' - 0"  | Π     |
| d <sub>10</sub> (E)                 | 112     | #4   | 4' - 8"  | L     |
| d <sub>11</sub> (E)                 | 112     | #6   | 4' - 6"  | L     |
| d <sub>12</sub> (E)                 | 12      | #4   | 5' - 0"  | L     |
| d <sub>13</sub> (E)                 | 12      | #6   | 4' - 10" | L     |
| e <sub>10</sub> (E)                 | 48      | #4   | 15' - 3" | —     |
| e <sub>11</sub> (E)                 | 8       | #4   | 2' - 3"  | —     |
| t <sub>10</sub> (E)                 | 164     | #4   | 10' - 8" | —     |
| w <sub>10</sub> (E)                 | 80      | #5   | 43' - 5" | —     |
| Concrete Structures                 | Cu. Yd. |      | 27.0     |       |
| Concrete Superstructure             | Cu. Yd. |      | 142.5    |       |
| Bridge Deck Grooving                | Sq. Yd. |      | 174      |       |
| Protective Coat                     | Sq. Yd. |      | 305      |       |
| Reinforcement Bars,<br>Epoxy Coated | Pound   |      | 35,630   |       |

\*\*\* In lieu of bottom leg, c(E) bars may be cored and set according to Article 509.06 of Standard Specifications. Cored holes shall be roughened or scored per manufacturer's recommendations. Maximum depth of cored hole shall not exceed 6".



\* Tilt #9 b<sub>11</sub>(E) bars as required to maintain clearance.  
\*\*\* Cost included with Concrete Superstructure.



- Notes:
- For Detail A, see sheet S12.
  - Approach slab, sidewalk and parapet concrete shall be paid for as Concrete Superstructure.
  - Approach footing concrete shall be paid for as Concrete Structures.
  - Reinforcement shall be paid for as Reinforcement Bars, Epoxy Coated.
  - The approach footing maximum applied service bearing pressure (Q<sub>max</sub>) = 2.0 ksf.
  - Cost of excavation for approach footing included with Concrete Structures.
  - For Porous Granular Embankment (Special) and drainage treatment details, see sheet S24.
  - For Bridge Fence Railing, see sheet S20.
  - For bar splicer details, see sheet S27.
  - West Approach Slab details shown. East Approach Slab details similar.