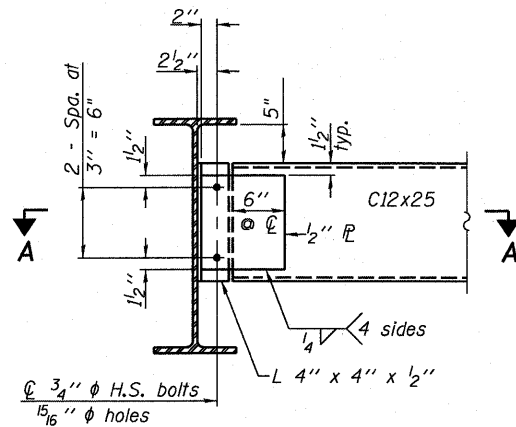


SECTION A-A

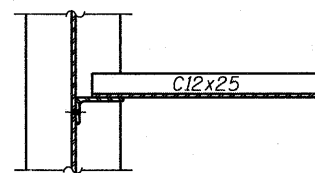


END DIAPHRAGM D1

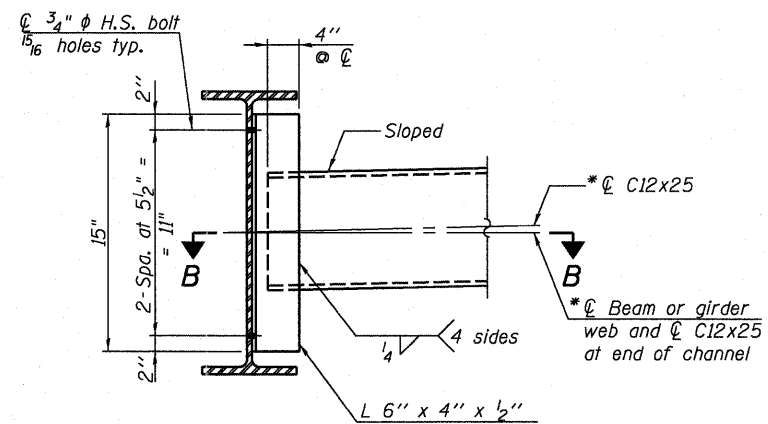
10 Required

Note:

Two hardened washers required for each set of oversized holes.



SECTION B-B



DIAPHRAGM D2

65 Required

* Alternate channel C12x30 is permitted to facilitate material acquisition. Calculated weight of structural steel is based on the lighter section. The alternate, if utilized, shall be provided at no additional cost to the Department.

Notes:

1. See Sheet S14 for diaphragm locations.
2. H.S. bolts for diaphragms shall be AASHTO M164/ASTM A325 H.S. bolts Type 1, mechanically galvanized bolts. Bolts 3/4 in. ϕ , holes 15/16 in. ϕ , unless otherwise noted
3. Two hardened washers required for each set of oversized holes..
4. All diaphragms shall be installed as steel is erected and secured with erection pins and bolts except as otherwise noted. Individual cross frames or diaphragms at supports may be temporarily disconnected to install bearing anchor rods.

FILE NAME = ...\\0162121-015-DiaphragmDetails.dgn	DESIGNED EV DRAWN JCP	REVISED - REVISED - REVISED -	 800 WEST FULTON STREET CHICAGO, ILLINOIS 60611-1258 TEL. 312.424.9100 FAX 312.424.1217 WEB www.sepsteinglobal.com	STATE OF ILLINOIS DEPARTMENT OF TRANSPORTATION	DIAPHRAGM DETAILS STRUCTURE NO. 016-2121 SHEET NO. S15 OF S29 SHEETS	F.A.P. RTE. 332	SECTION 0101.1 BR-3	COUNTY COOK	TOTAL SHEETS 60	SHEET NO. 30
PLOT TIME = 5:20:31 PM PLOT DATE = 6/29/2011	CHECKED PC DATE 07 01 2011	REVISED -				CONTRACT NO. 62421			ILLINOIS FED. AID PROJECT	