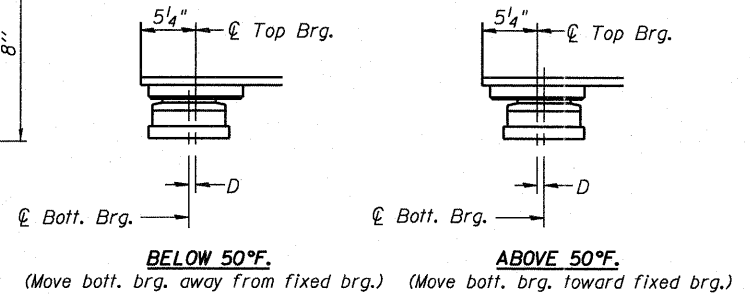
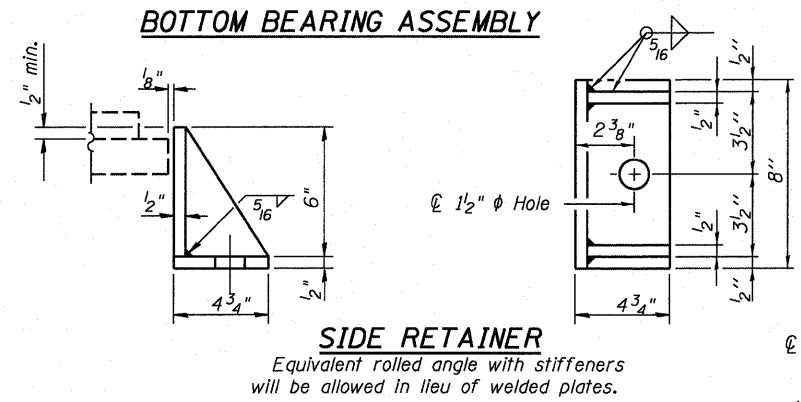
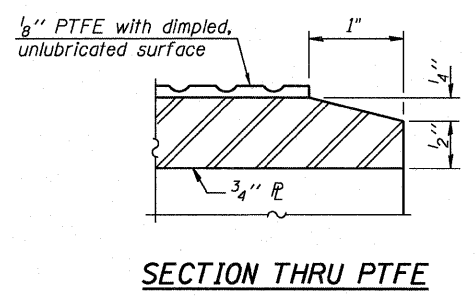
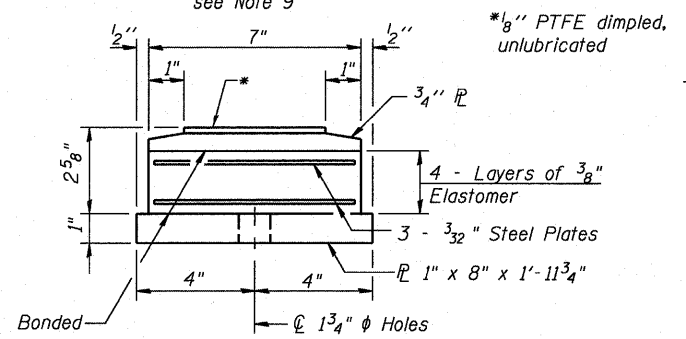
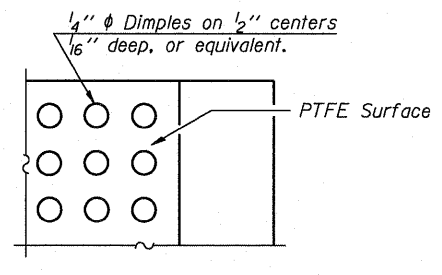
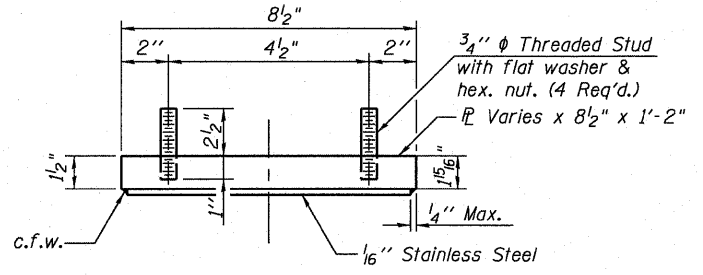


TYPE II ELASTOMERIC EXP. BRG.
(at Abutments)



- Notes:**
- Anchor bolts shall be ASTM F1554 all-thread (or an Engineer-approved alternate material) of the grade(s) and diameter(s) specified. ASTM A307 Grade C anchor bolts may be used in lieu of ASTM F1554 Grade 36 (Fy=36ksi). The corresponding specified grade of AASHTO M314 anchor bolts may be used in lieu of ASTM F1554.
 - Anchor bolts for Type II bearings shall be placed in holes drilled in the concrete through holes in the bottom bearing plate after members are in place. Side retainers shall be placed after bolts are installed.
 - Drilled and set anchor bolts shall be installed according to Article 521.06 of the Standard Specifications.
 - Side retainers and other steel members required for the elastomeric bearing assembly shall be included in the cost of Elastomeric Bearing Assembly, Type II.
 - The 1/8" PTFE sheet shall be bonded directly to the top steel plate with a two-component, medium viscosity epoxy resin, conforming to the requirements of the Federal Specification MMM-A-134, Type 1. The bond agent shall be applied on the full area of the contact surfaces.
 - Bonding of 1/8" PTFE sheet during vulcanizing process will be permitted provided the process and method of adjusting assembly height is approved by the Engineer.
 - Two 1/8" adjusting shims shall be provided for each bearing in addition to all other plates or shims and placed as shown on bearing details.
 - The structural steel plates of the Bearing Assembly shall conform to the requirements of AASHTO M 270 Grade 50.
 - For Elastomeric Bearing on Abutments the orientation of the Beveled Top plate to be installed on the bottom flange of the beams shall be as follows:
 - West Abutment: The thinner (1/2") edge of the Top Plate shall face west towards the beam end.
 - East Abutment: The thinner (1/2") edge of the Top Plate shall face east towards the beam end.

BILL OF MATERIAL

Item	Unit	Total
Elastomeric Bearing Assembly Type II	Each	12
Anchor Bolts, 1/4"	Each	24