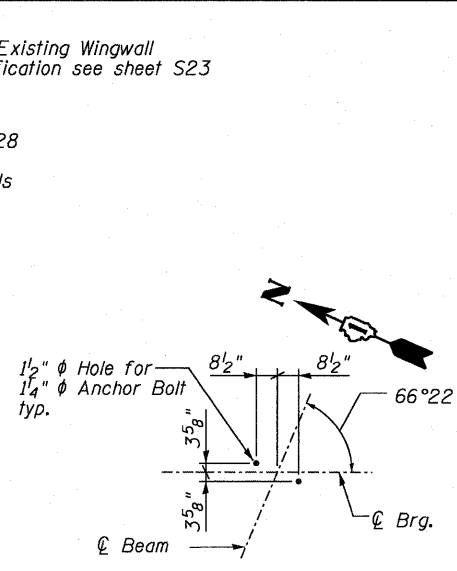


ABUTMENT PLAN

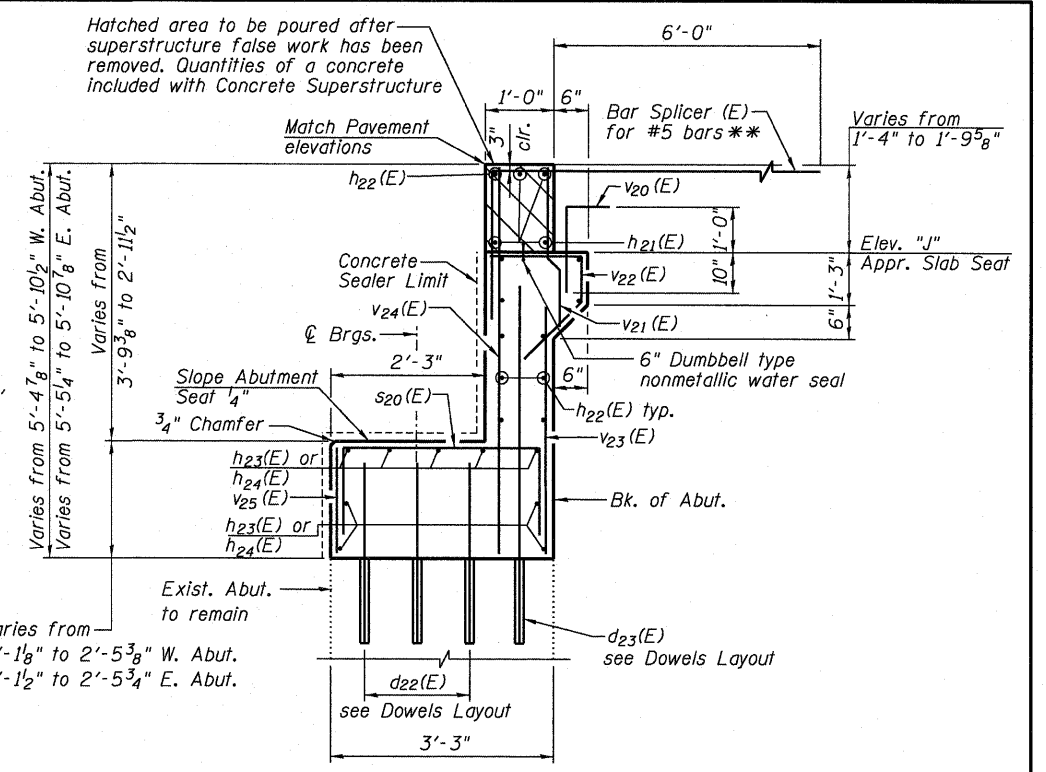
East Abutment shown
West Abutment opposite hand



DETAIL 1

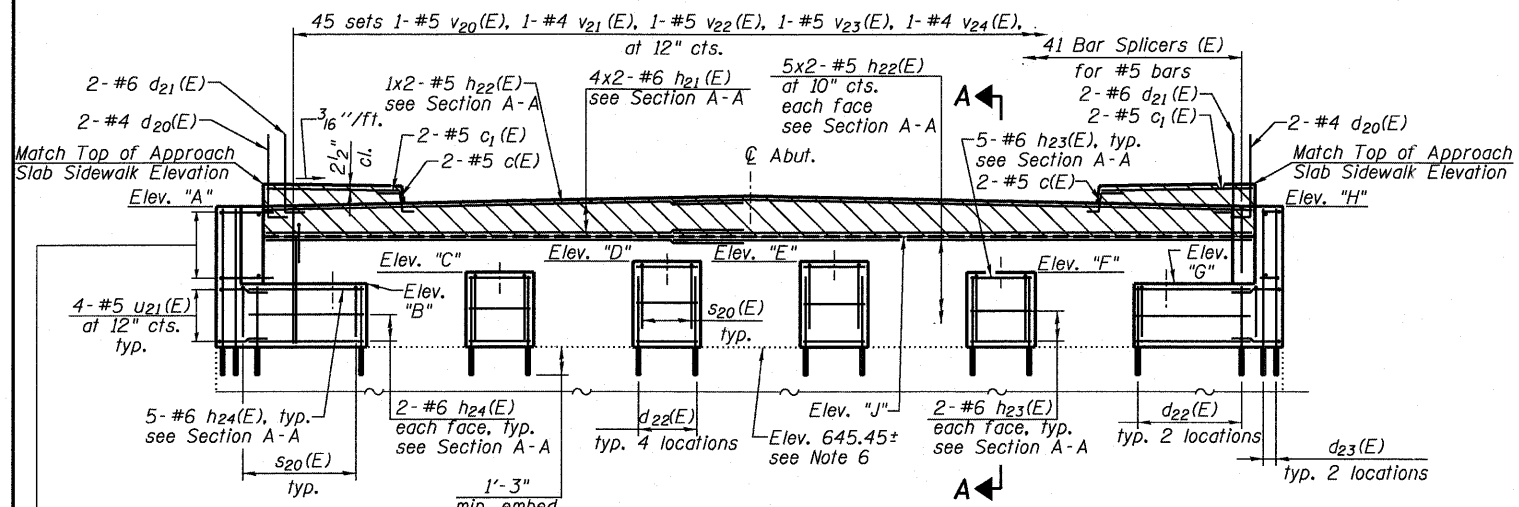
MINIMUM BAR LAP

#5 bar = 2'-10"
#6 bar = 3'-4"



SECTION A-A

* See Dowel Layout sheet S24
** Alternate with v23(E) and v24(E) bars. Place parallel to beams.

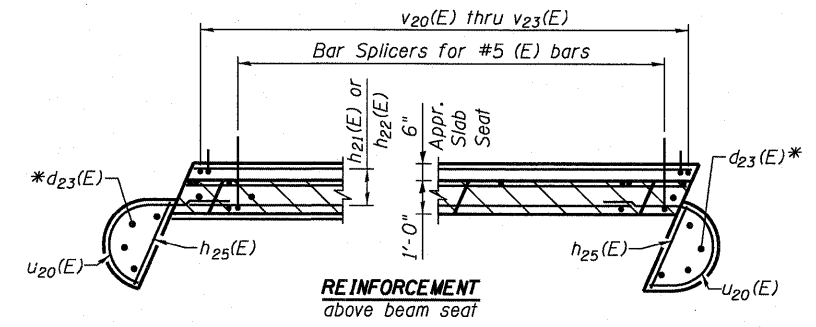


ABUTMENT ELEVATION

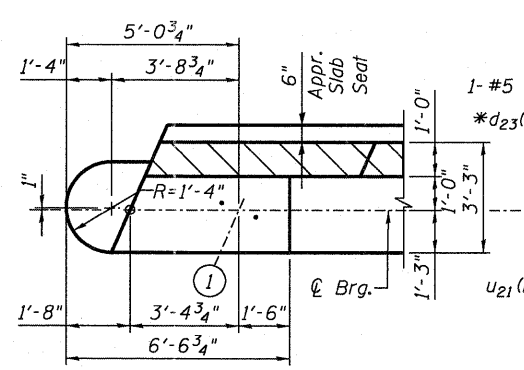
East Abutment looking East
West Abutment looking West

	Elev. "A"	Elev. "B"	Elev. "C"	Elev. "D"	Elev. "E"	Elev. "F"	Elev. "G"	Elev. "H"	Elev. "J"
W. Abut.	650.86	647.54	647.70	647.85	647.90	647.84	647.78	651.15	649.52
E. Abut.	651.18	647.81	647.87	647.93	647.88	647.73	647.57	650.89	649.55

- Notes:
1. Work this sheet with sheets S23 and S24.
 2. For Wingwall Modification details see sheet S23.
 3. For Section thru Abutment, Dowels Layout, Bar bending diagrams and Bill of Materials see sheet S24.
 4. For Bearing Details see sheet S17.
 5. For Bar Splicer Details see sheet S27.
 6. Elevation was taken from available survey. The Contractor shall verify in field before beginning of work.

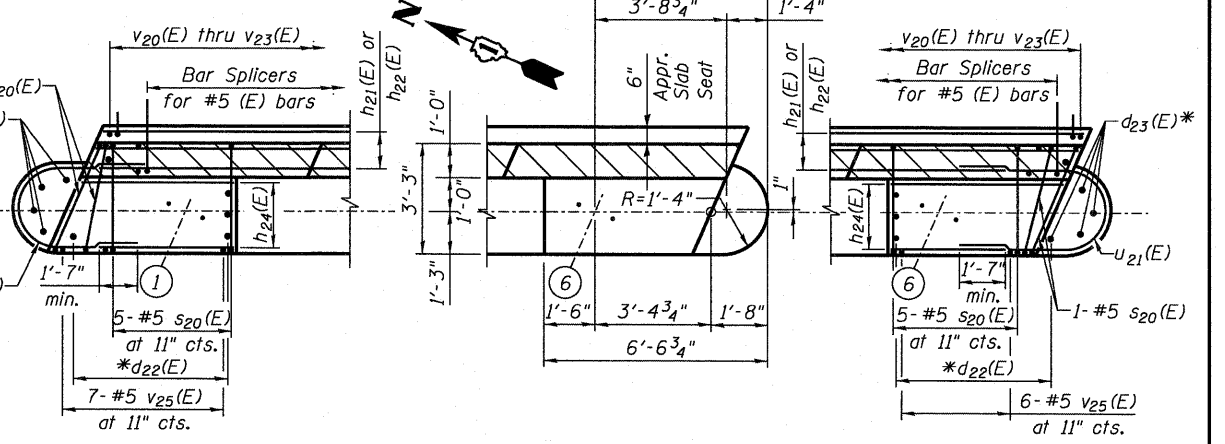


REINFORCEMENT above beam seat



DIMENSIONS

DETAIL 2



REINFORCEMENT below beam seat

DIMENSIONS

DETAIL 3