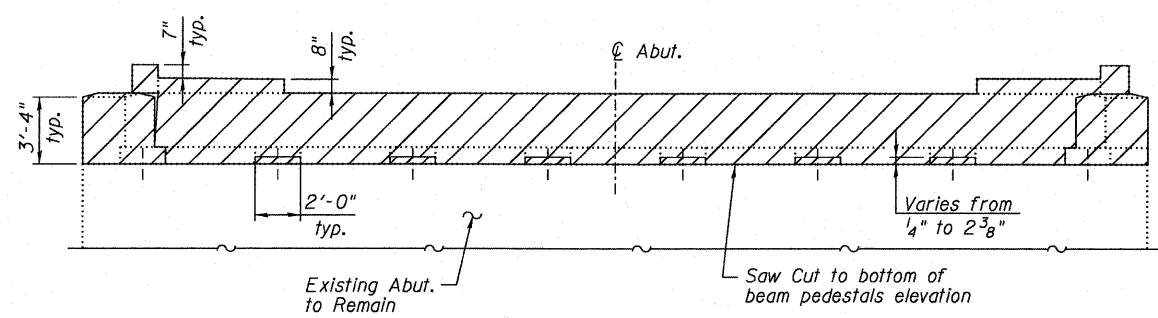
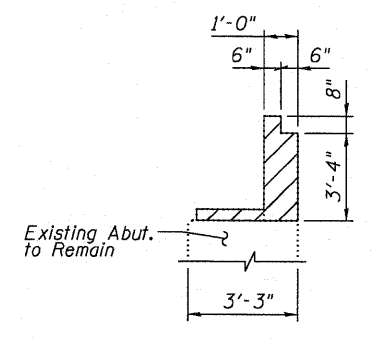


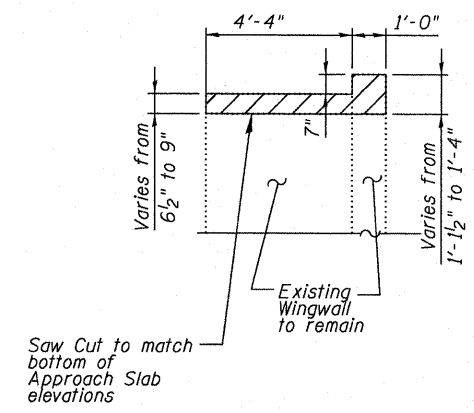
**PLAN**  
East Abutment shown  
West Abutment similar



**ELEVATION**



**SECTION B-B**

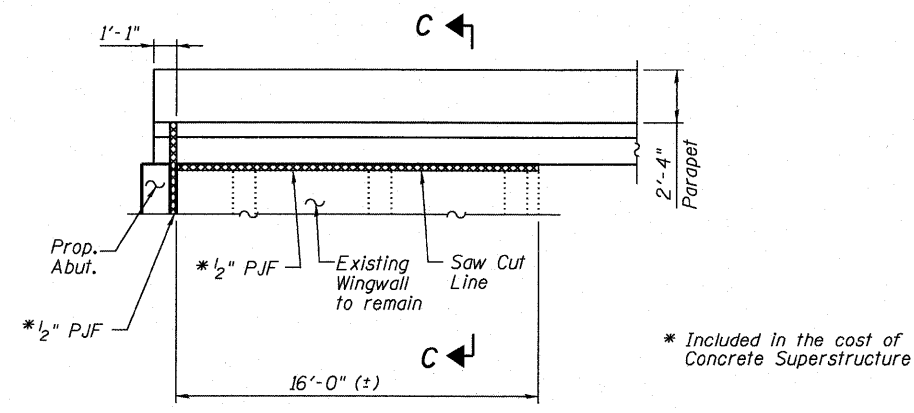


**SECTION A-A**

**LEGEND**

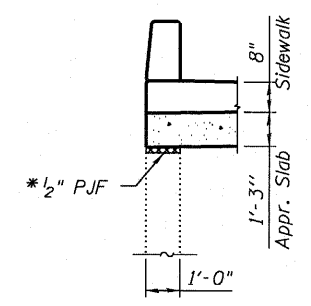
Concrete Removal

**REMOVAL SKETCH**



**WINGWALL MODIFICATION**

Bridge Fence Railing  
not shown for clarity



**SECTION C-C**

- Notes:
1. Work this sheet with sheets S22 and S24.
  2. All dimensions of existing structure were taken from the existing plans. The Contractor shall verify in field before beginning of work.

FILE NAME = ... \0162121-023-AbutmentDetails.dgn	DESIGNED EV	REVISED -	 800 WEST FULTON STREET CHICAGO, ILLINOIS 60601-1209	<b>STATE OF ILLINOIS</b> <b>DEPARTMENT OF TRANSPORTATION</b>	<b>ABUTMENT MODIFICATION DETAILS 1</b> <b>STRUCTURE NO. 016-2121</b> SHEET NO. S23 OF S29 SHEETS	F.A.P. RTE. 332	SECTION 0101.1 BR-3	COUNTY COOK	TOTAL SHEETS 60	SHEET NO. 38
PLOT TIME = 2:58:25 PM	DRAWN JCP	REVISED -				CONTRACT NO. 62421				
PLOT DATE = 8/9/2011	CHECKED PC	REVISED -				ILLINOIS FED. AID PROJECT				
DATE 08 09 2011		REVISED -								