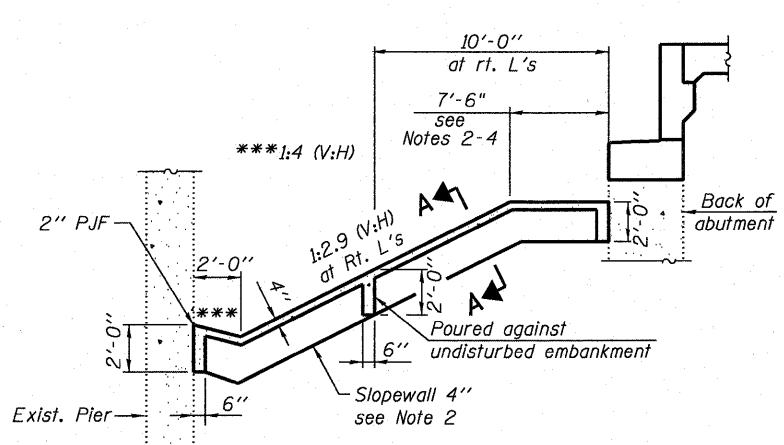
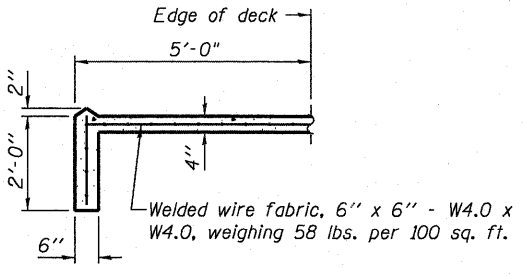


SLOPE WALL PLAN

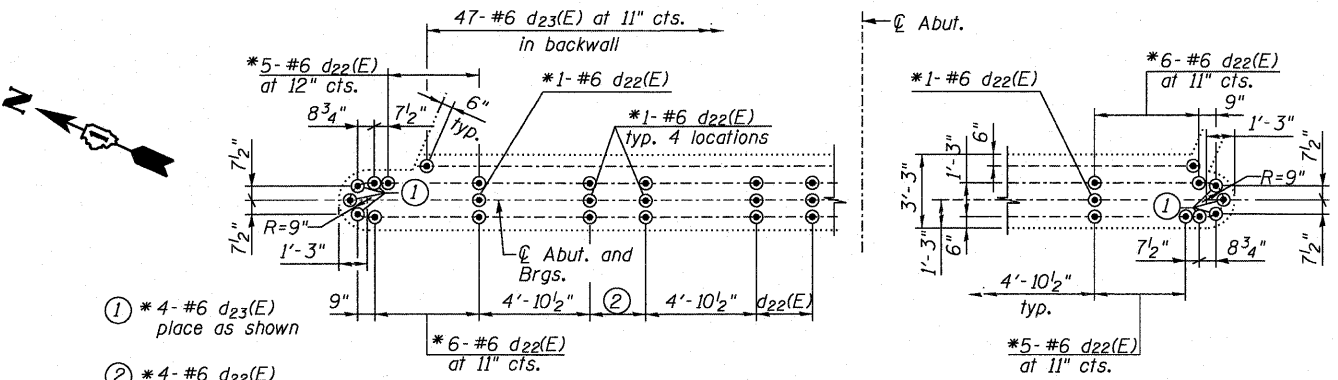
Note:
Sloped wall shall be reinforced with welded wire fabric, 6" x 6" - W4.0 x W4.0, weighing 58 lbs. per 100 sq. ft.
Cost included with Slope Wall 4 inch.



SECTION THRU CONCRETE SLOPEWALL
(Horiz. dim. @ Rt. L's)

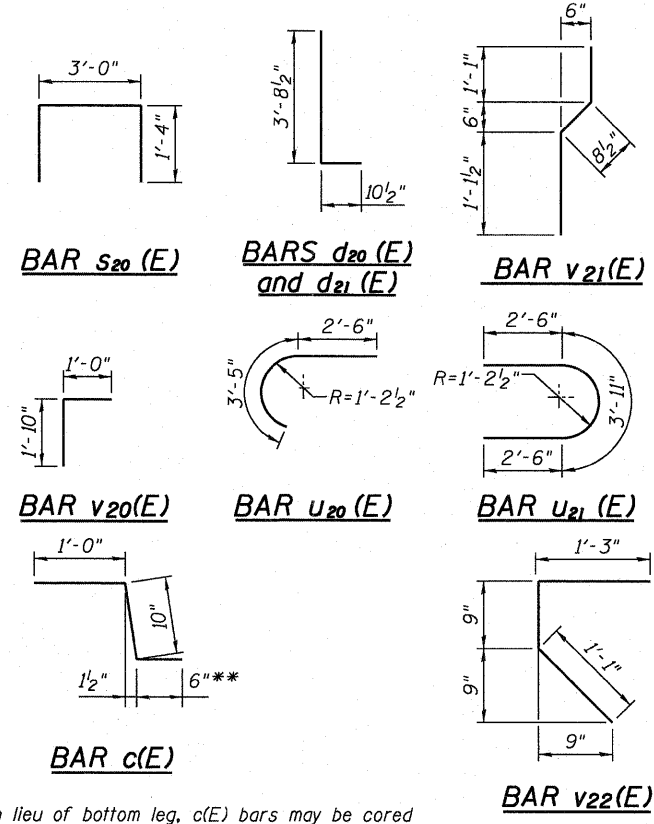


SECTION A-A



DOWEL LAYOUT
Symmetrical about C Abutment unless noted otherwise

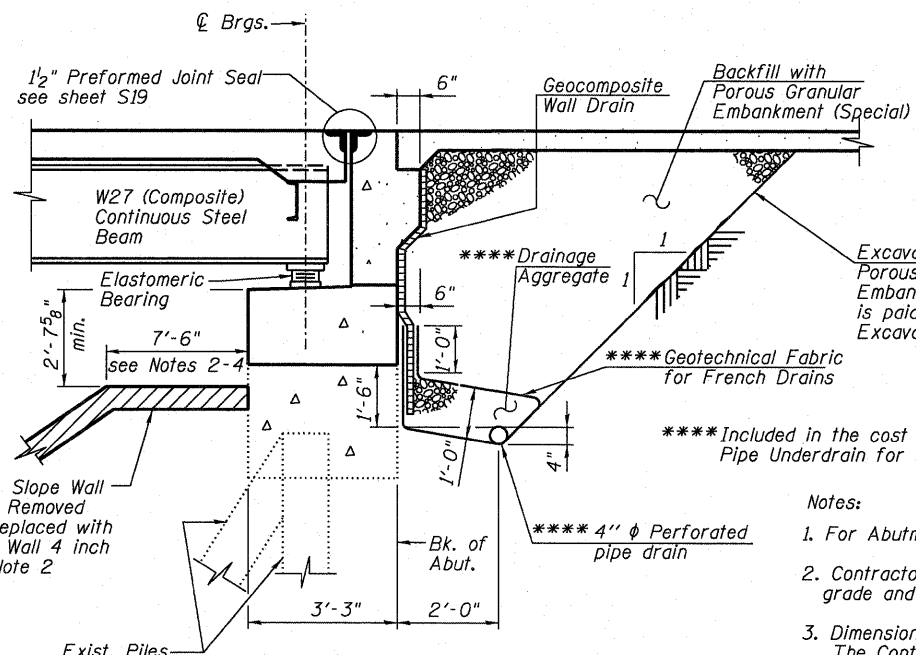
* Drill and Grout Dowel Bars should comply with requirements of Section 584 of Standard Specification. Cost included with Reinforcement Bars, Epoxy Coated



** In lieu of bottom leg, c(E) bars may be cored and set according to Article 509.06 of Standard Specifications. Cored holes shall be roughened or scored per manufacturer's recommendations. Maximum depth of cored hole shall not exceed 6".

BILL OF MATERIAL
For one Abutment

Bar	No.	Size	Length	Shape
c(E)	4	#5	2' - 4"	L
c1(E)	4	#5	8' - 2"	L
d20(E)	4	#4	4' - 7"	L
d21(E)	4	#6	4' - 7"	L
d22(E)	64	#6	2' - 6"	L
d23(E)	55	#6	5' - 10"	L
h21(E)	8	#6	23' - 6"	L
h22(E)	22	#5	23' - 6"	L
h23(E)	36	#6	2' - 9"	L
h24(E)	18	#6	5' - 6"	L
h25(E)	8	#5	2' - 7"	L
s20(E)	30	#5	5' - 8"	L
u20(E)	8	#5	5' - 11"	L
u21(E)	8	#5	8' - 11"	L
v20(E)	45	#5	2' - 10"	L
v21(E)	45	#4	2' - 11"	L
v22(E)	45	#5	3' - 1"	L
v23(E)	45	#5	3' - 3"	L
v24(E)	45	#4	4' - 7"	L
v25(E)	29	#5	1' - 3"	L
Porous Granular Embankment, Special		Cu. Yd.	38	
Concrete Removal		Cu. Yd.	7.7	
Slope Wall Removal		Sq. Yd.	225	
Structure Excavation		Cu. Yd.	44	
Concrete Structures		Cu. Yd.	16.4	
Reinforcement Bars, Epoxy Coated		Pound	2,950	
Slope Wall 4 inch		Sq. Yd.	268	
Concrete Sealer		Sq. Ft.	25	
Geocomposite Wall Drain		Sq. Yd.	26	
Pipe underdrain for structures, 4"		Foot	45	



SECTION THRU ABUTMENT
(Horiz. dim. @ Rt. L's)

**** Included in the cost of Pipe Underdrain for Structures

- Notes:
- For Abutment Plan and Elevation see sheet S22.
 - Contractor to verify in field and match existing slope wall grade and elevation.
 - Dimensions were taken from the existing plans. The Contractor to verify in field before beginning of work.
 - All abutment berms shall be sloped 1/2" per ft to drain.