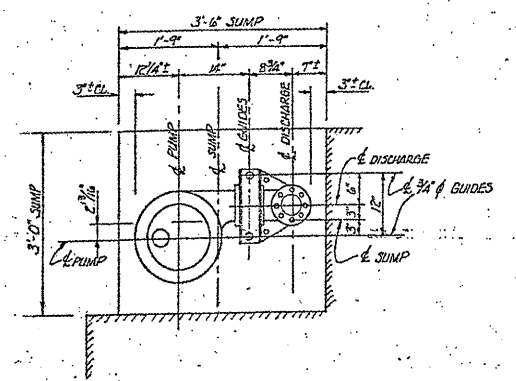


PLAN - PROPOSED PLATFORM MODIFICATIONS



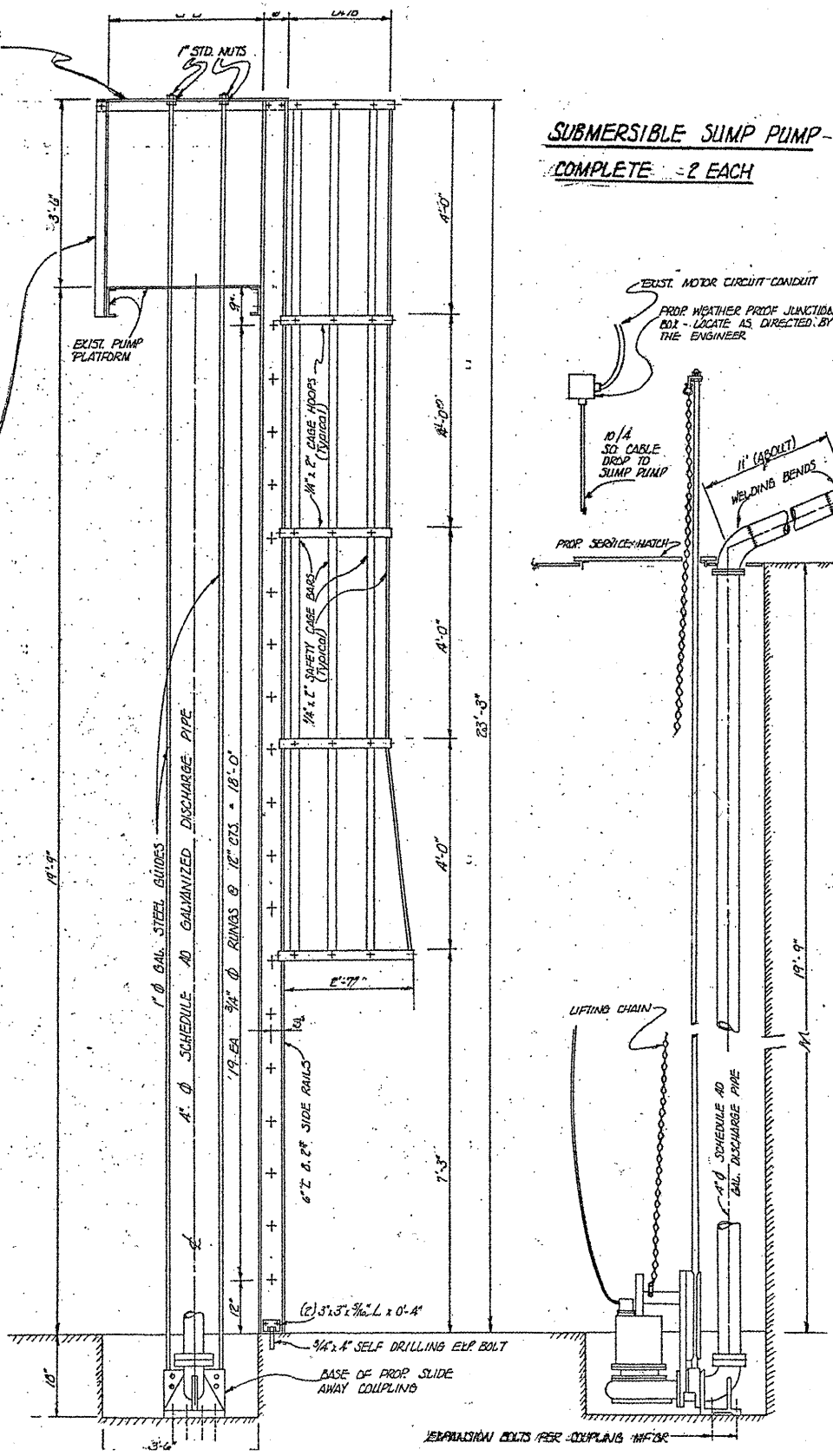
PLAN - PROPOSED SUMP PUMP LOCATION

PUMP SHALL BE HEAVY DUTY SUBMERSIBLE SEWAGE PUMP  
 2" DISCHARGE - 3/4" SPHERICAL SOLIDS HANDLING - 250 GPM @ 30' HEAD  
 5 H.P. 460V 3PH. 60CY. PEABODY BARNES MODEL SE-500A WITH  
 SLIDE AWAY COUPLING MODEL CAF 4 OR APPROVED EQUAL.

**NOTE:**

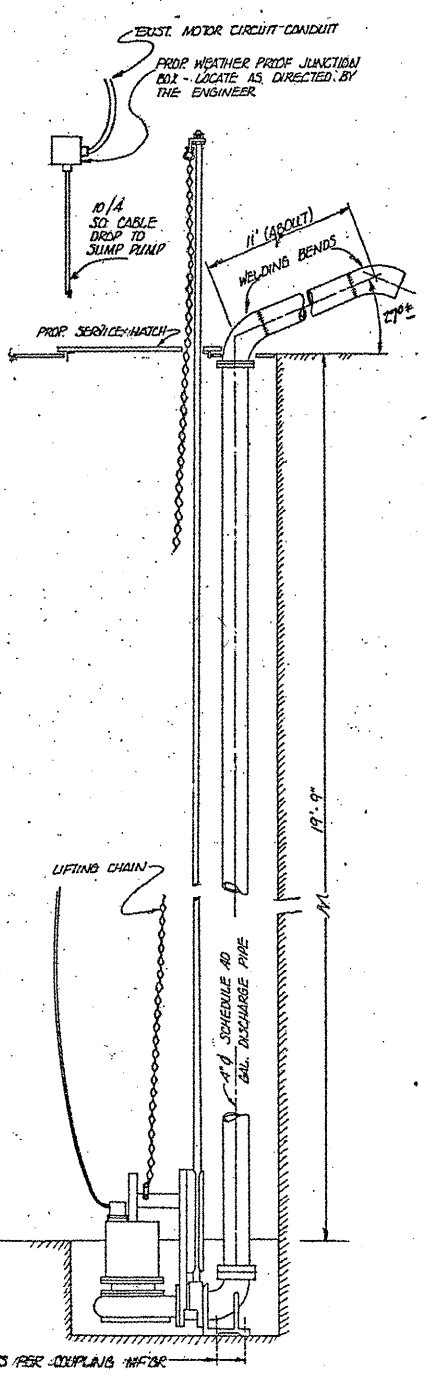
- REPLACE SUMP PUMPS AT EACH COUNTER WEIGHT PIT. WORKING SUMP PUMP AT EAST COUNTER WEIGHT PIT TO BE SALVAGED AND DELIVERED TO MOVABLE BRIDGE OFFICE.
- REPLACE ALL DISCHARGE PIPING AT BOTH COUNTER WEIGHT PITS.
- NEW SUMP PUMPS SHALL FIT ONTO EXISTING GUIDE RODS AND EXISTING SLIDE AWAY COUPLING.
- NEW PUMPS SHALL INCLUDE NEW POWER CABLE FROM EXISTING JUNCTION BOX AND NEW LIFTING CHAIN.

**BASIS OF PAYMENT:** SUMP PUMP REPLACEMENT SHALL BE PAID FOR AT THE CONTRACT UNIT PRICE L SUM FOR SUMP PUMP REPLACEMENT.



ELEVATION - PROP LADDER & SAFETY CAGE - GUIDES & SUPPORTS - (STREAM SIDE ELEV.)

**SUBMERSIBLE SUMP PUMP - COMPLETE - 2 EACH**



SECTION THROUGH OF SUMP

**BILL OF MATERIALS**

ITEM	UNIT	QUANTITY
SUMP PUMP REPLACEMENT	L SUM	1

FILE NAME =	USER NAME = midjo	DESIGNED - RTB	REVISED -
ca:\pwwork\pwwork\midjo\d0148931\0111584	sht-plen.dgn	DRAWN -	REVISED -
	PLOT SCALE = 1/8" = 1' / IN.	CHECKED -	REVISED -
	PLOT DATE = 5/27/2011	DATE -	REVISED -

**STATE OF ILLINOIS  
 DEPARTMENT OF TRANSPORTATION**

**RUBY STREET OVER DES PLAINES RIVER  
 SUMP PUMP REPLACEMENT**

F.A.P. RTE. 112	SECTION M-BDR-1	COUNTY WILL	TOTAL SHEETS 66	SHEET NO. 62
SCALE: SHEET NO. OF SHEETS STA. TO STA.				CONTRACT NO. 62714
ILLINOIS FED. AID PROJECT				