

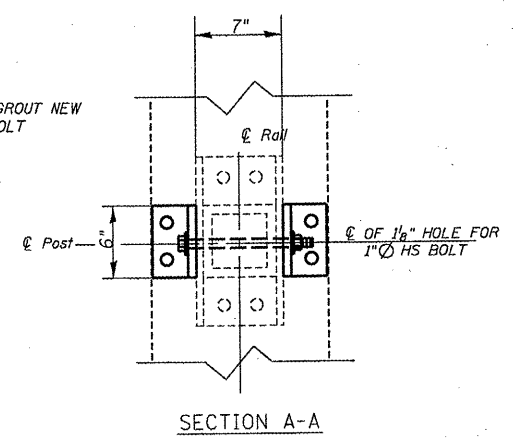
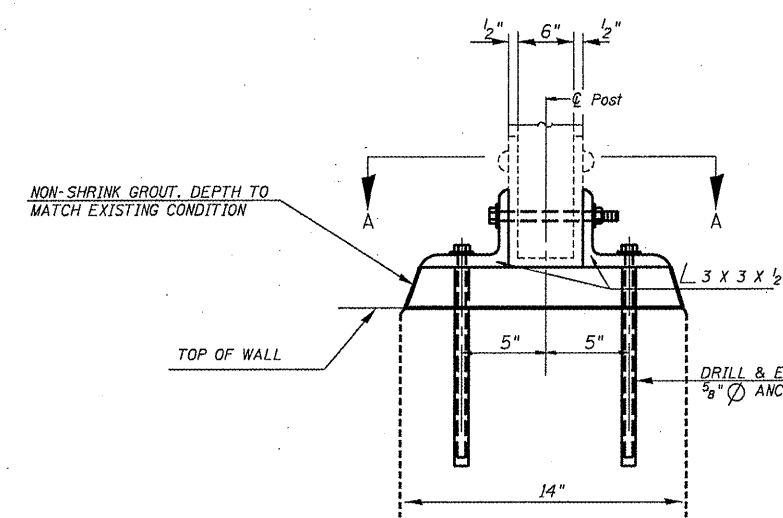
RAILING AT SOUTHWEST RETAINING WALL

All Railing to be salvaged, repaired where shown and reinstalled, with new anchor bolts.

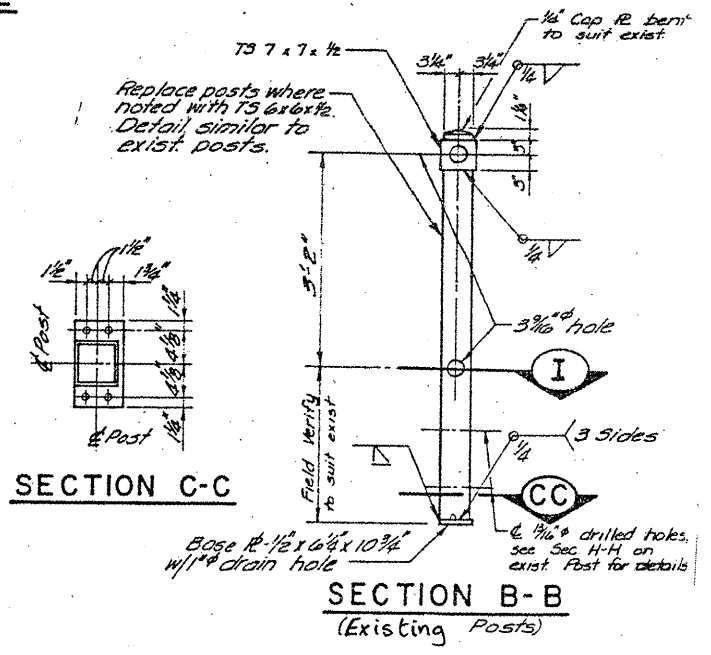
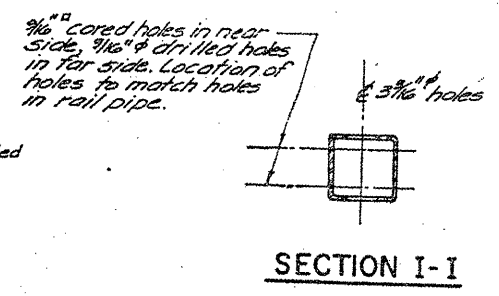
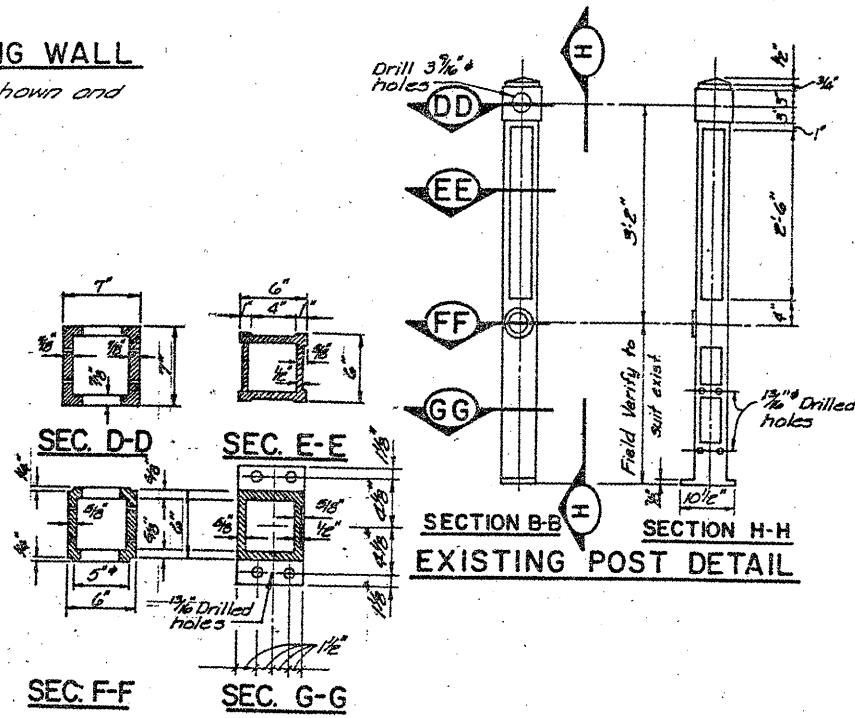
LEGEND

STRUCTURE REPAIR OF CONCRETE ≤ 5"

Retaining wall ornamental railing details are similar to bridge spans ornamental railing details. (No shop drawings are available)



BASIS OF PAYMENT: DAMAGE HANDRAIL WILL BE REPLACED AND PAID FOR AT THE UNIT PRICE OF L SUM FOR HANDRAIL REPAIRS.



NOTE:
RAILING SHALL BE REMOVED, REPAIRED AND REINSTALLED WITH NEW ANCHOR BOLTS, CLEANED AND PAINTED. ANCHOR BOLTS SHALL CONFORM TO ASTM A307.
4- 3/8" O.H.S. THREADED ANCHOR RODS WITH HEX NUTS AND LOCK WASHERS, DRILLED AND SET ACCORDING TO ARTICLE 509.06 OF THE STANDARD SPECIFICATIONS. EMBEDMENT INTO THE EXISTING CONCRETE, NOT INCLUDING THE THICKNESS OF ANY LEVELING GROUT, SHALL BE ACCORDING TO THE MANUFACTURER'S SPECIFICATIONS. ANCHOR BOLTS SHALL BE STAINLESS STEEL OR GALVANIZED.

- NOTES:**
- SEE DRAWING NO. G-2 FOR GENERAL NOTES.
 - DAMAGED RAILING SHALL BE REPAIRED BY REPLACEMENT OF BENT OR MISSING MEMBERS WITH NEW MEMBERS FABRICATED TO MATCH THE ORIGINAL CONSTRUCTION.
 - EXISTING POSTS ARE CAST IRON. EXISTING PANELS AND CAST FITTINGS ARE MALLEABLE IRON. EXISTING PIPE IS WROUGHT IRON.
 - REPLACEMENTS AND REPAIRS SHALL BE OF STRUCTURAL STEEL CONFORMING TO AASHTO M183, EXCEPT STEEL PIPE SHALL CONFORM TO ASTM A53, GRADE B.
 - REPLACE POSTS WHERE NOTED. DETAILS AND GEOMETRY SHALL BE SIMILAR TO EXISTING POSTS.
 - REPLACE OR REPAIR PANELS WHERE NOTED. DETAILS AND GEOMETRY SHALL BE SIMILAR TO EXISTING PANELS. NEW PANELS SHALL BE FABRICATED FROM 1/2" X 1" BAR STOCK.
 - REPLACE PIPE RAILS WHERE NOTED. DETAILS AND GEOMETRY SHALL BE SIMILAR TO EXISTING PIPE RAILS.
 - ORNAMENTAL RAILING SHALL BE CLEANED AND PAINTED.

FILE NAME =	USER NAME = midyjo	DESIGNED - RTD	REVISED -	STATE OF ILLINOIS DEPARTMENT OF TRANSPORTATION	RUBY STREET OVER DES PLAINES RIVER HANDRAIL REPAIRS	F.A.P. RTE. 112	SECTION M-BDR-1	COUNTY WILL	TOTAL SHEETS 66	SHEET NO. 64	
al:\pw\work\p\midot\midyjo\d0148931\0111504	sht-plen.dgn	DRAWN -	REVISED -			SCALE:	SHEET NO. 2 OF 3 SHEETS	STA.	TO STA.	ILLINOIS FED. AID PROJECT	
	PLOT SCALE = 1/8" = 1'-0"	CHECKED -	REVISED -							CONTRACT NO. 62714	
	PLOT DATE = 6/28/2011	DATE -	REVISED -								