


EXISTING LEGEND

- (A) EXISTING GROUND
 - (B) EXISTING AGGREGATE SHOULDER (REMOVAL PAID FOR AS REMOVAL AND DISPOSAL OF UNSUITABLE MATERIAL)
 - (C) EXISTING ASPHALT SHOULDER (REMOVAL PAID FOR AS PAVMENT REMOVAL)
 - (D) EXISTING ASPHALT PAVEMENT (DEPTH VARIES 9" TO 12")
 - (E) EXISTING METAL RAILING
 - (F) EXISTING SUPERSTRUCTURE (PPC DECK BEAMS)**
 - (G) EXISTING HOT-MIX ASPHALT OVERLAY (±5" THICK)**
 - (H) EXISTING SUPERSTRUCTURE (CAST IN PLACE CONCRETE)**
 - (I) EXISTING GUARDRAIL
-  INDICATES ITEMS TO BE REMOVED

** REMOVAL PAID FOR UNDER REMOVAL OF EXISTING STRUCTURE

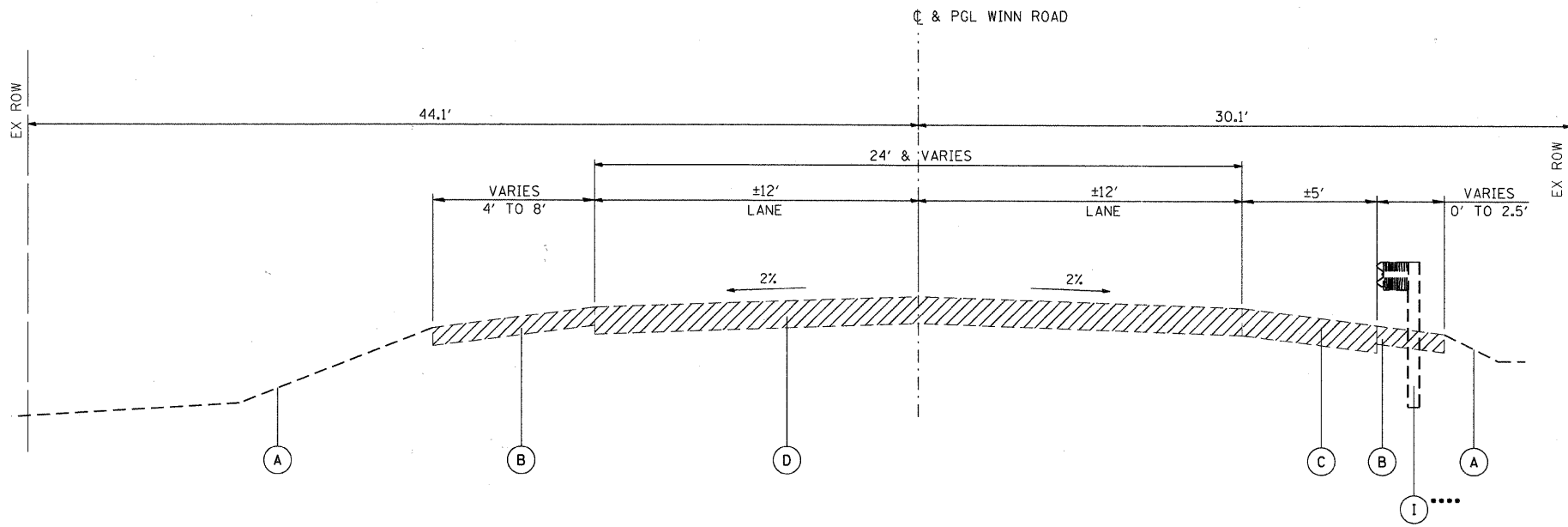
PROPOSED LEGEND

- (1) HOT-MIX ASPHALT SURFACE COURSE MIX "C", N50 (2")
 - (2) HOT-MIX ASPHALT SURFACE COURSE MIX "D" N70 (2")***
 - (3) HOT-MIX ASPHALT BINDER COURSE, IL-19.0, N70 (2 1/2")***
 - (4) HOT-MIX ASPHALT BASE COURSE, 7 1/2"***
 - (5) TOPSOIL FURNISH AND PLACE, 4" AND SEEDING, CLASS 4
 - (6) STEEL PLATE BEAM GUARDRAIL, TYPE A, 9' FOOT POST
 - (7) SEGMENTAL CONCRETE BLOCK WALL (SEE BRIDGE PLANS)
 - (8) AGGREGATE SUBGRADE 12"
 - (9) PRECAST, PRESTRESSED CONCRETE DECK BEAMS (27" DEPTH) (SEE BRIDGE PLANS)
 - (10) CONCRETE PARAPET WALL- CONCRETE SUPERSTRUCTURE (SEE BRIDGE PLANS)
 - (11) BICYCLE RAILING (SEE BRIDGE PLANS)
 - (12) PARAPET RAILING (SEE BRIDGE PLANS)
 - (13) HOT-MIX ASPHALT SHOULDERS, 6"
 - (14) SUB-BASE GRANULAR MATERIAL, TYPE B 6"
 - (15) BRIDGE APPROACH SLAB (SEE BRIDGE PLANS)
 - (16) COMBINATION CONCRETE CURB AND GUTTER, TYPE B-6.12 (DEPRESSED)
- *** PAID FOR UNDER HOT-MIX ASPHALT PAVEMENT (FULL DEPTH), 12"

HOT-MIX ASPHALT REQUIREMENTS	
MIXTURE TYPE	AIR VOIDS @ N _{DES}
PAVEMENT RESURFACING	
HOT-MIX ASPHALT SURFACE COURSE MIX "D" N70 (IL-9.5 mm) (2")	4% @ 70 Gyr.
FULL DEPTH PAVEMENT	
HOT-MIX ASPHALT SURFACE COURSE MIX "D" N70 (IL-9.5 mm) (2")	4% @ 70 Gyr.
HOT-MIX ASPHALT BINDER COURSE, IL-19.0, N70 (2 1/2")	4% @ 70 Gyr.
HOT-MIX ASPHALT BASE COURSE, 7 1/2" (HMA BINDER IL-19 mm) (IN 3 LIFTS)	4% @ 70 Gyr.
BRIDGE APPROACH PAVEMENT CONNECTOR (FLEXIBLE)	
HOT-MIX ASPHALT SURFACE COURSE, MIX "D", N70 (IL-9.5 mm) (2")	4% @ 70 Gyr.
HOT-MIX ASPHALT BINDER COURSE, IL-19.0, N70 (2 1/2")	4% @ 70 Gyr.
HOT-MIX ASPHALT BASE COURSE, (HMA BINDER IL-19 mm) (10 1/2" TO 7 1/2") (IN 3 LIFTS)	4% @ 70 Gyr.
SHARED USE PATH	
HOT-MIX ASPHALT SURFACE COURSE MIX "C" N50 (2")	4% @ 50 Gyr.
HOT-MIX ASPHALT SHOULDERS, 6"	
HOT-MIX ASPHALT SURFACE COURSE MIX "D" N70 (IL-9.5 mm) (2")	4% @ 70 Gyr.
HOT-MIX ASPHALT BINDER COURSE, IL-19.0, N70 (4") (IN 2 LIFTS)	2% @ 30 Gyr.

• THE UNIT WEIGHT USED TO CALCULATE ALL HOT-MIX ASPHALT SURFACE MIXTURE QUANTITIES IS 112 LBS/SQ YD/IN

• THE "AC TYPE" FOR POLYMERIZED HMA MIXES SHALL BE "SBS/SBR PG 70 -22" AND FOR NON-POLYMERIZED HMA THE "AC TYPE" SHALL BE "PG 64 -22" UNLESS MODIFIED BY DISTRICT ONE SPECIAL PROVISIONS. FOR "PERCENT RAP" SEE DISTRICT ONE SPECIAL PROVISIONS.

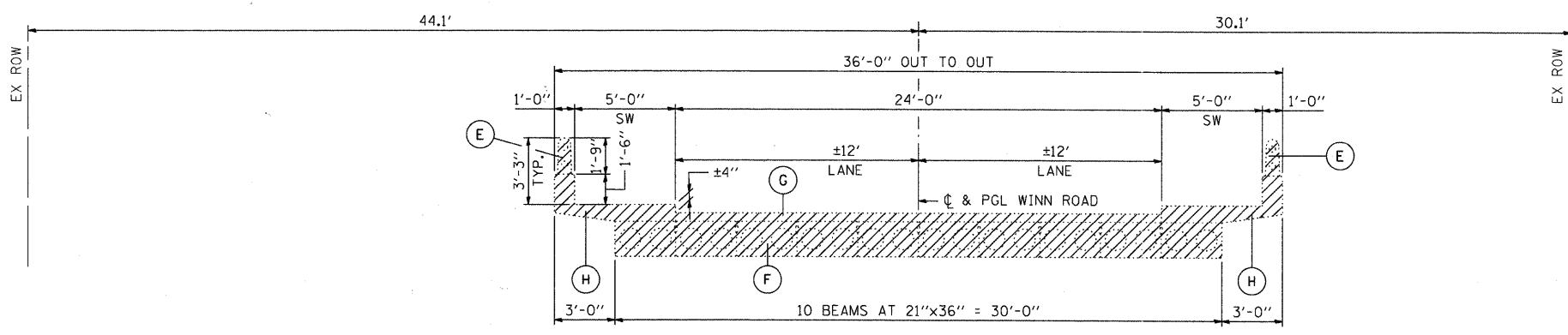


EXISTING ROADWAY TYPICAL SECTION WINN ROAD

STA. 28+00.00 TO STA 29+91.70 (NOTE 1)
STA. 31+21.77 TO STA. 32+60.00

**** STA. 28+74.12 TO STA. 29+27.83

NOTE: FROM 28+00 TO 28+50 HMA - SURFACE REMOVAL BUTT JOINT SEE REMOVAL PLAN.



EXISTING BRIDGE TYPICAL SECTION WINN ROAD

STA. 29+91.70 TO STA 31+21.77

COMPANY NAME: SEC GROUP, INC.
 PROJECT CONTACT: Robert C. Davies
 CLIENT: Village of Spring Grove
 DATE PLOTTED: 6/23/2011 2:16:53 PM
 PLOT DRIVER: c:\p1\typlot.dgn
 PEN TABLE: standard-trans.tbl

SEC Group, Inc.
 An HR Group Company
 420 N. First Street
 Milwaukee, WI 53202-2138
 T 414.385.1778 F 414.385.1791
 www.secgroupinc.com
 *Military, L. *Industrial, *Marine Landsc. *Chicago, IL

USER NAME = whood	DESIGNED - KMA	REVISED -
FILE NAME = 090212_typ01.dgn	DRAWN - WJH	REVISED -
PLOT SCALE = N.T.S.	CHECKED - RGD	REVISED -
PLOT DATE = 6/23/2011	DATE - 6/23/11	REVISED -

VILLAGE OF SPRING GROVE

TYPICAL SECTIONS WINN ROAD

SCALE: N.T.S. SHEET NO. OF SHEETS STA. TO STA.

F.A.I. RTE.	SECTION	COUNTY	TOTAL SHEETS	SHEET NO.
0157	07-00012-00-BR	MCHENRY	41	4
CONTRACT NO. 63544				
FED. ROAD DIST. NO. ILLINOIS FED. AID PROJECT				