

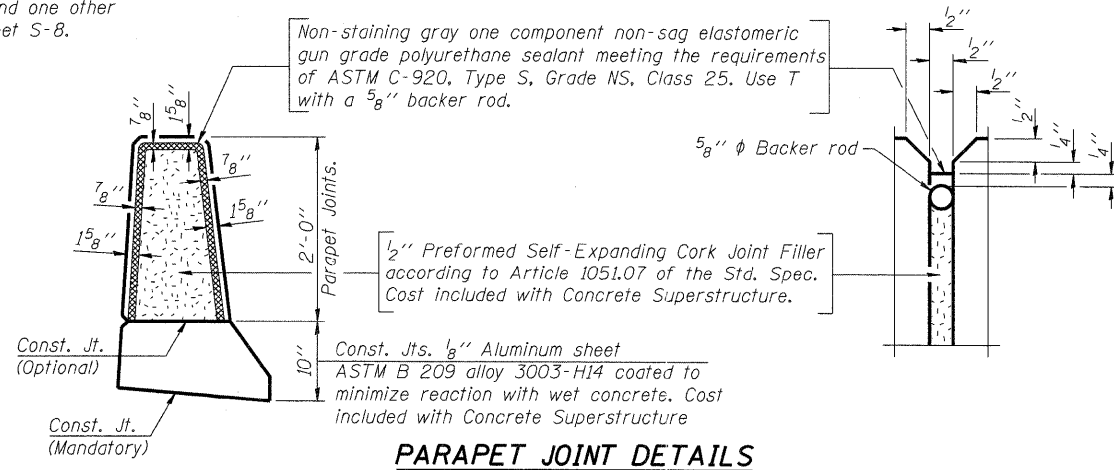
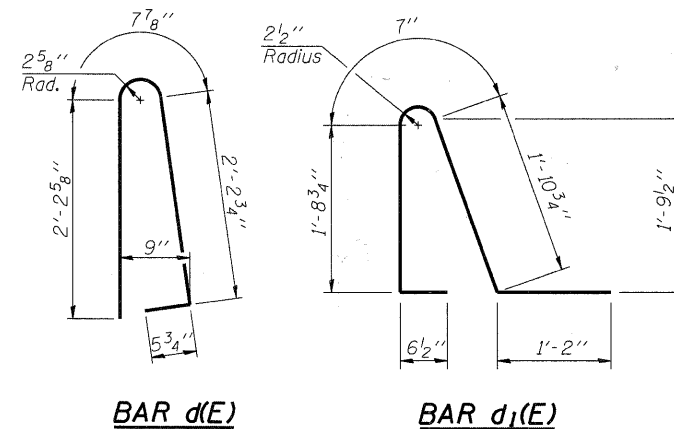
SECTION THRU EAST PARAPET LOOKING SOUTH

* Place #4 D(E) bars at 9" cts. in fascia beams, and one other location as indicated in cross section on Sheet S-8. D(E) bar included in cost of beam.

ELEVATION OF EAST PARAPET

Note:
 A Full height parapet joint (see detail below). At other joint locations use the filler shown in the top 2'-0" of the parapet joints (same detail).

Work with Sheet S-5, S-6 and S-8 for parapet joint layout.



PARAPET JOINT DETAILS

SUPERSTRUCTURE BILL OF MATERIAL

Bar	No.	Size	Length	Shape	
a ₃ (E)	282	#4	25'-5"	—	
a ₄ (E)	423	#4	6'-0"	—	
b ₄ (E)	265	#4	30'-2"	—	
d(E)	310	#5	5'-7"	⤴	
d ₁ (E)	308	#5	5'-11"	⤴	
e ₂ (E)	70	#4	10'-8"	—	
e ₃ (E)	4	#8	32'-8"	—	
e ₄ (E)	4	#4	32'-8"	—	
e ₅ (E)	32	#4	8'-10"	—	
e ₆ (E)	4	#8	8'-10"	—	
e ₇ (E)	32	#4	9'-6"	—	
e ₈ (E)	4	#8	9'-6"	—	
e ₉ (E)	42	#4	11'-9"	—	
e ₁₀ (E)	2	#8	35'-11"	—	
e ₁₁ (E)	2	#4	35'-11"	—	
e ₁₂ (E)	14	#4	11'-2"	—	
Reinforcement Bars, Epoxy Coated				Pound	17,730
Concrete Superstructure				Cu. Yd.	36
Bridge Deck Grooving				Sq. Yd.	621
Concrete Wearing Surface, 5"				Sq. Yd.	750

Bars indicated thus 1 x 2 - #4 etc. indicates 1 line of bars with 2 lengths per line.

**EAST PARAPET ELEVATION
 WINN ROAD
 OVER NIPPERSINK CREEK
 F.A.U. ROUTE 0157
 SECTION NO. 07-00012-00-BR
 MCHENRY COUNTY
 STATION 30+56.78
 STRUCTURE NO. 056-6123**

DATE: 6/23/11

DESIGNED	JMW
CHECKED	RGD
DRAWN	RCB
CHECKED	RGD

PDS-M-F-D

11-1-09

Illinois Professional Design Firm # 184-000108
SEC GROUP, INC.
 An HR Green Company
 420 N. Front Street, McHenry, IL 60050
 1.815.385.1778 | 1.815.385.1781
 www.secgroupinc.com
 • McHenry, IL • Yorkville, IL • New Lenox, IL • Chicago, IL

SHEET NO. S-12	F.A.U. RTE.	SECTION	COUNTY	TOTAL SHEETS	SHEET NO.
	0157	07-00012-00-BR	MCHENRY	41	24
S-20 SHEETS				CONTRACT NO. 63544	
FED. ROAD DIST. NO. 1		ILLINOIS	FED. AID PROJECT	BRM-8003 (921)	