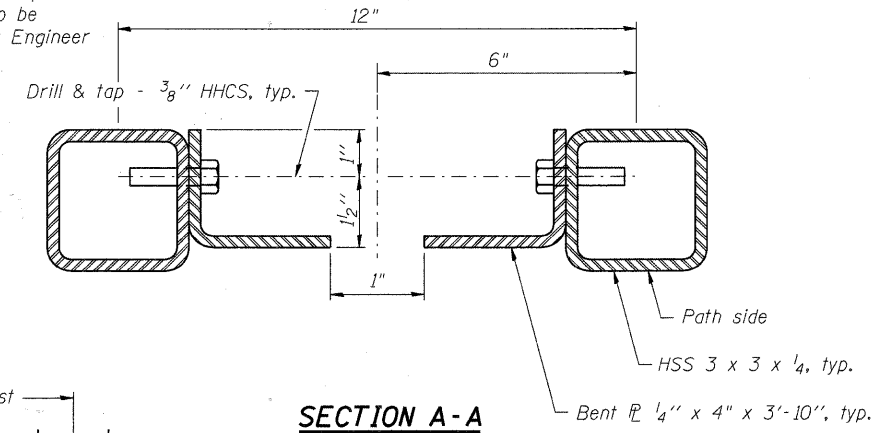
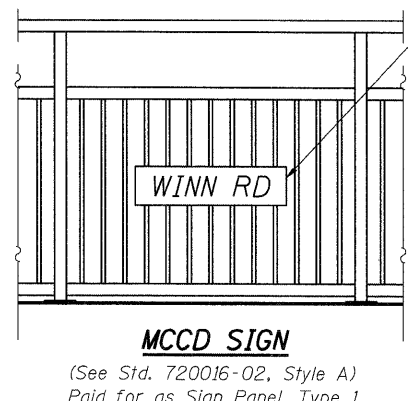
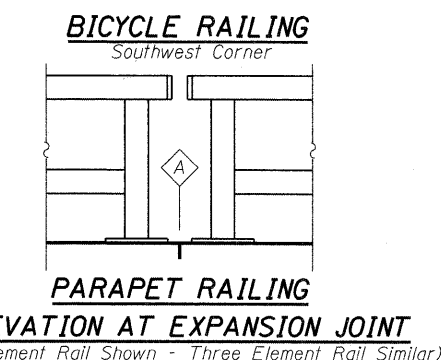
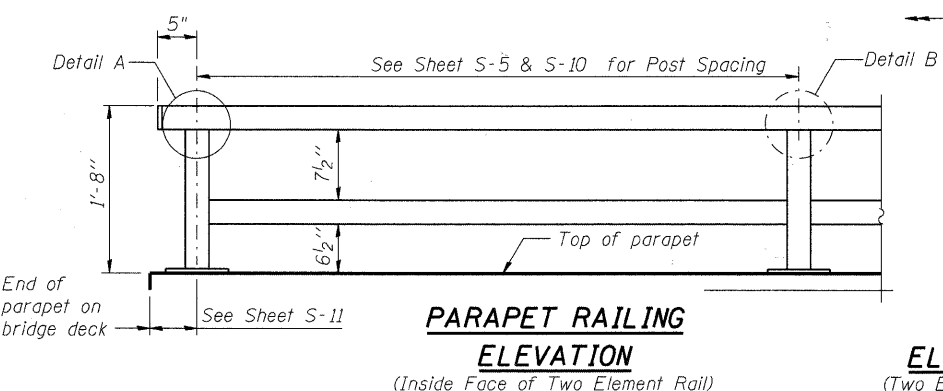
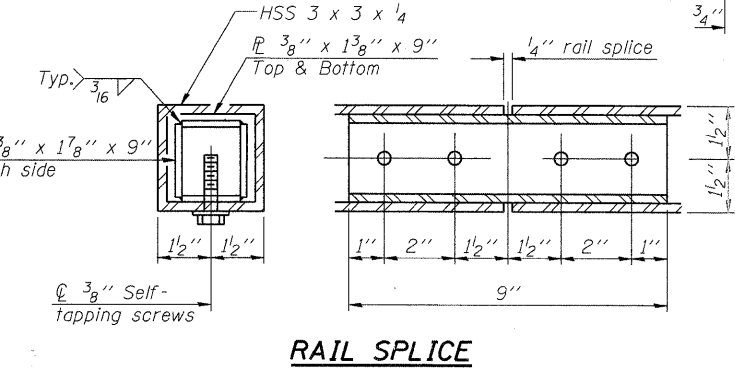
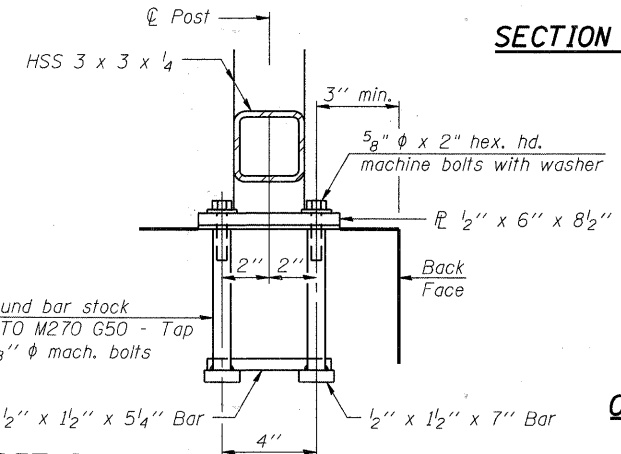
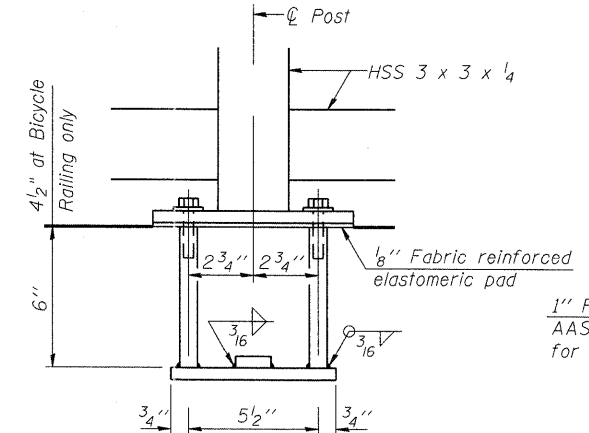
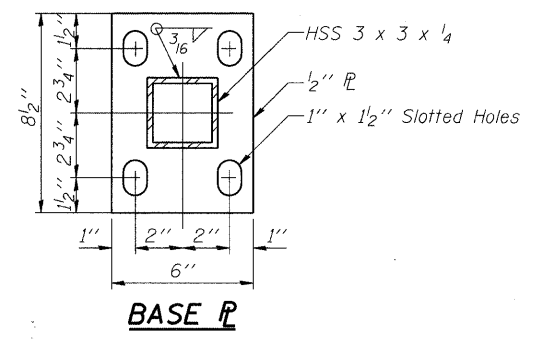
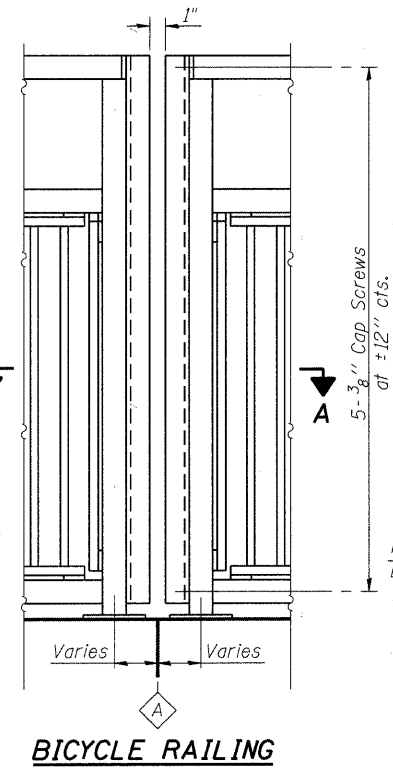


NOTES
All post, railing, pickets, splices, and anchor devices shall be powder coated black. The powder coating system to be used shall be approved by the engineer prior to the coating process.



BILL OF MATERIAL

Item	Unit	Quantity
Bicycle Railing	Foot	241
Parapet Railing	Foot	166



ANCHOR BOLT DETAILS
In lieu of the cast-in-place anchor device shown, the Contractor has the option of drilling and setting 5/8" φ anchor rods according to Article 509.06 of the Standard Specifications. Embedment shall be according to the manufacturer's specifications, but no greater than 6".

RAILING DETAILS
WINN ROAD
OVER NIPPERSINK CREEK
F.A.U. ROUTE 0157
SECTION NO. 07-00012-00-BR
MCHENRY COUNTY
STATION 30+56.78
STRUCTURE NO. 056-6123

DESIGNED: JMW
CHECKED: RGD
DRAWN: RCB
CHECKED: RGD

SEC GROUP, INC.
An HR Green Company
420 N. Front Street, McHenry, IL 80050
I. 815.385.1778 F. 815.385.1781
www.secgroupinc.com
McHenry, IL • Yorkville, IL • New Lenox, IL • Chicago, IL

DATE: 6/23/11

SHEET NO.	F.A.U. RTE.	SECTION	COUNTY	TOTAL SHEETS	SHEET NO.
S-13	0157	07-00012-00-BR	McHENRY	41	25
CONTRACT NO. 63544					
FED. ROAD DIST. NO. 1 ILLINOIS FED. AID PROJECT BRM-8003 (921)					