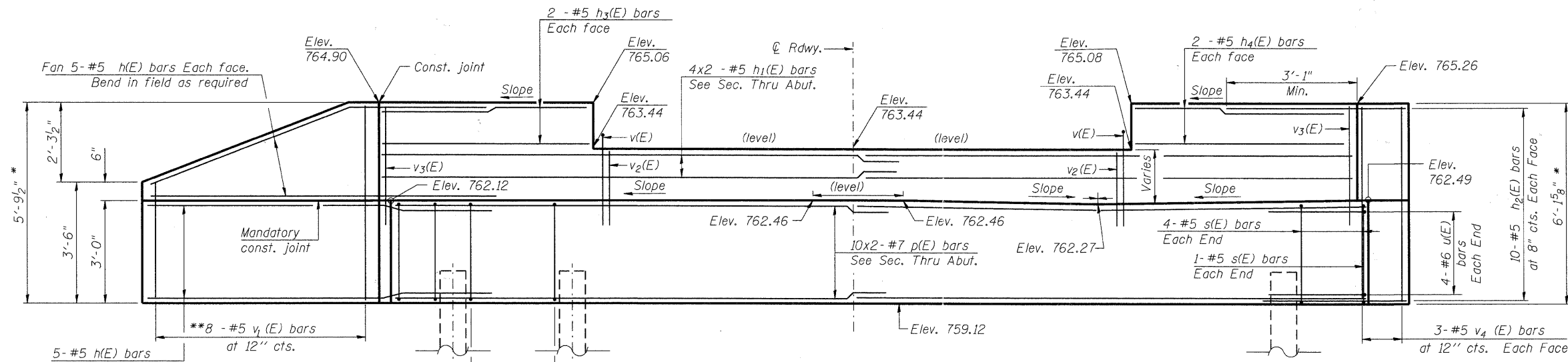
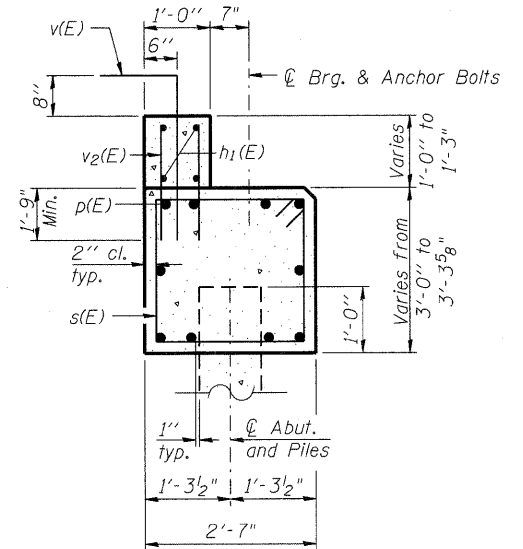


* Cast top of wingwall flush with top of concrete wearing surface at exterior beam face after beams have been erected and concrete wearing surface has been installed.



ELEVATION
(Looking South)

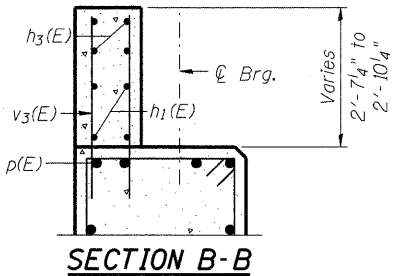


SECTION A-A
(Dimensions are at Rt. L's)

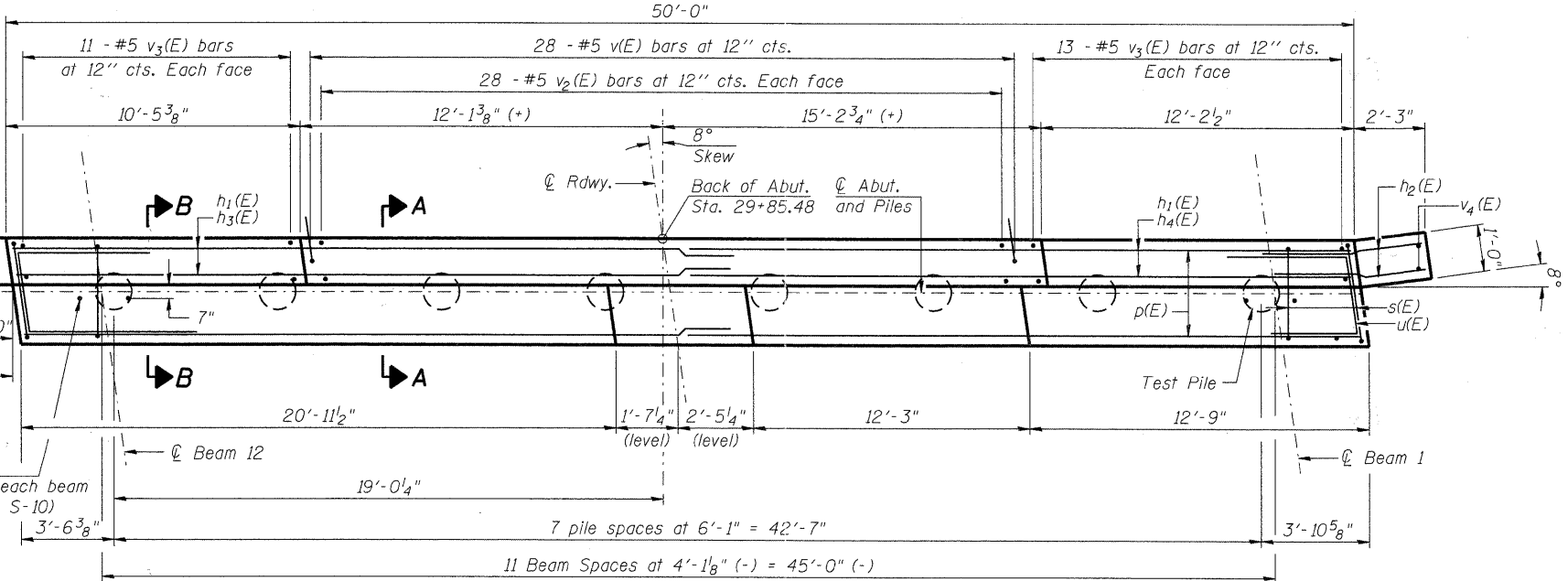
BILL OF MATERIAL

Bar	No.	Size	Length	Shape
h(E)	20	#5	10'-4"	—
h1(E)	8	#5	26'-4"	—
h2(E)	20	#5	5'-2"	—
h3(E)	4	#5	10'-1"	—
h4(E)	4	#5	11'-10"	—
p(E)	20	#7	27'-2"	—
s(E)	57	#5	10'-9"	□
u(E)	8	#6	11'-0"	∟
v(E)	28	#5	4'-5"	∟
v1(E)	8	#5	8'-7"	—
v2(E)	56	#5	2'-10"	—
v3(E)	48	#5	4'-10"	—
v4(E)	6	#5	5'-9"	—
Structure Excavation		Cu. Yd.	99	
Concrete Structures		Cu. Yd.	21	
Reinforcement Bars, Epoxy Coated		Pound	3,160	
Furnishing Metal Shell Piles 14"x0.250"		Foot	329	
Driving Piles		Foot	329	
Test Pile, Metal Shell		Each	1	

Notes:
For details of piles see sheet S-18.
Cast backwall after beams and concrete wearing surface have been erected.
Bars indicated thus 20 x 2-#4 etc. indicates 20 lines of bars with 2 lengths per line.



SECTION B-B
(See Section A-A for Additional Information)

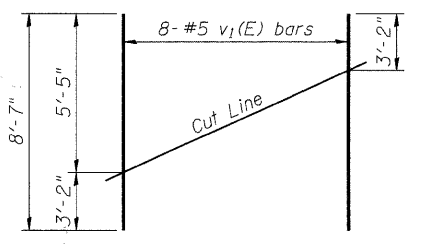


PLAN

MINIMUM BAR LAP
#5 bar = 2'-11"
#7 bar = 4'-8"

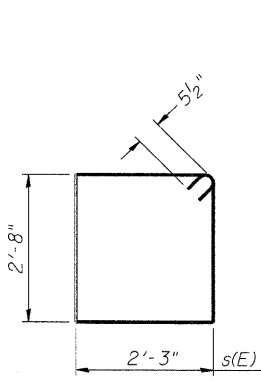
PILE DATA

Type and size: Metal Shell - 14 in. dia. x 0.25 in. walls
Nominal Required Bearing: 390K
Factored Resistance Available: 130K
Est. Length: 47'
No. Production Piles: 7
No. Test Piles: 1

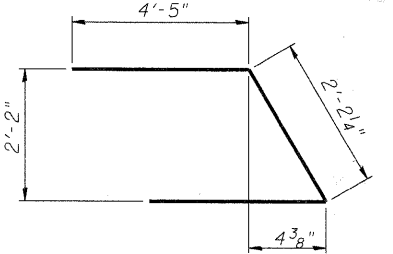


FIELD CUTTING DIAGRAM

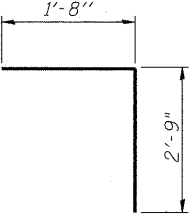
**Order v1(E) full length. Cut as shown and use remainder of bars in opposite face.



BAR s(E)



BAR u(E)



BAR v(E)

**SOUTH ABUTMENT DETAILS
WINN ROAD
OVER NIPPERSINK CREEK
F.A.U. ROUTE 0157
SECTION NO. 07-00012-00-BR
MCHENRY COUNTY
STATION 30+56.78
STRUCTURE NO. 056-6123**

DATE: 6/23/11

DESIGNED	JMW
CHECKED	RGD
DRAWN	RCB
CHECKED	RGD

AD-2742-L 11-1-09

SEC GROUP, INC.
An HR Green Company
420 N. Front Street, McHenry, IL 60050
1.815.385.1778 f. 815.385.1781
www.secgroupinc.com
McHenry, IL • Yorkville, IL • New Lenox, IL • Chicago, IL

SHEET NO. S-14 S-20 SHEETS	F.A.U. RTE.	SECTION	COUNTY	TOTAL SHEETS	SHEET NO.
	0157	07-00012-00-BR	MCHENRY	41	26
CONTRACT NO. 63544			FED. ROAD DIST. NO. 1 ILLINOIS FED. AID PROJECT BRM-8003 (921)		