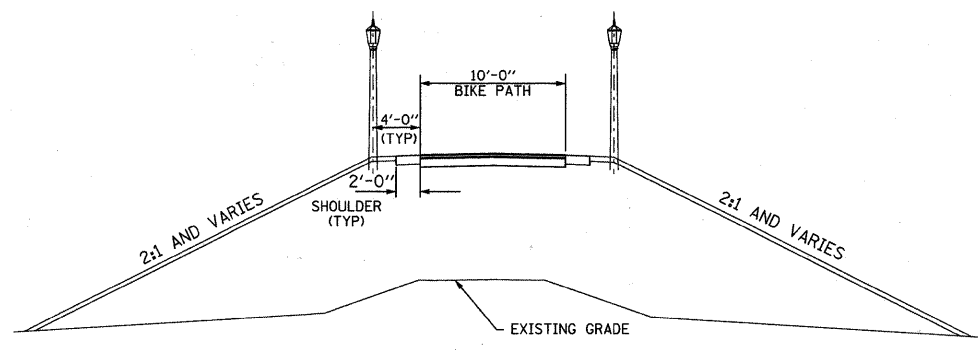


SEO SMALL - EMBEDDED - OCTAGONAL						
POLE DESIGN-NATION	POLE HEIGHT ABOVE GROUND	EM-BEDDED DEPTH	OVER-ALL LENGTH	BOTTOM DIAMETER	ULTIMATE G.L. MOMENT (FT. LBS.)	WEIGHT (LBS.)
SEO-4.3	14'-0"	4'-0"	18'-0"	6-3/8"	7.08	290

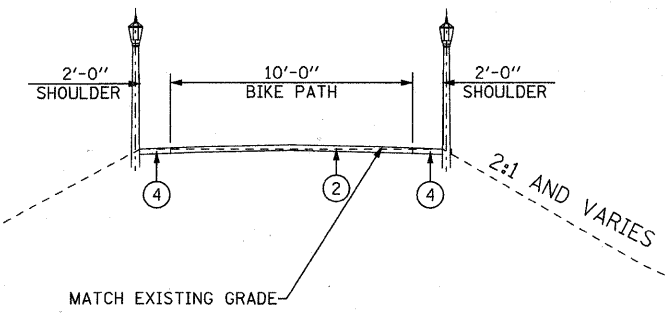
LOADING
LUMINAIRE
MAXIMUM EFFECTIVE AREA = 7.9 SQ. FT. AT POLE TOP.
MAXIMUM WEIGHT = 70 LBS. AT POLE TOP.
LOADING CALCULATED FOR 104 M.P.H. WINDS.
FOR HIGHER LOADINGS CONSULT CENTRECOR.

AGGREGATE AND FINISH	CEMENT COLOR					
	GREY	WHITE	BUFF	GREEN	BROWN	BLACK
NATURAL EXPOSED	#113	#213	#313	#413	#513	#613

TYPICAL POLE SECTION
RESIDENTIAL STREET LIGHTING STANDARD



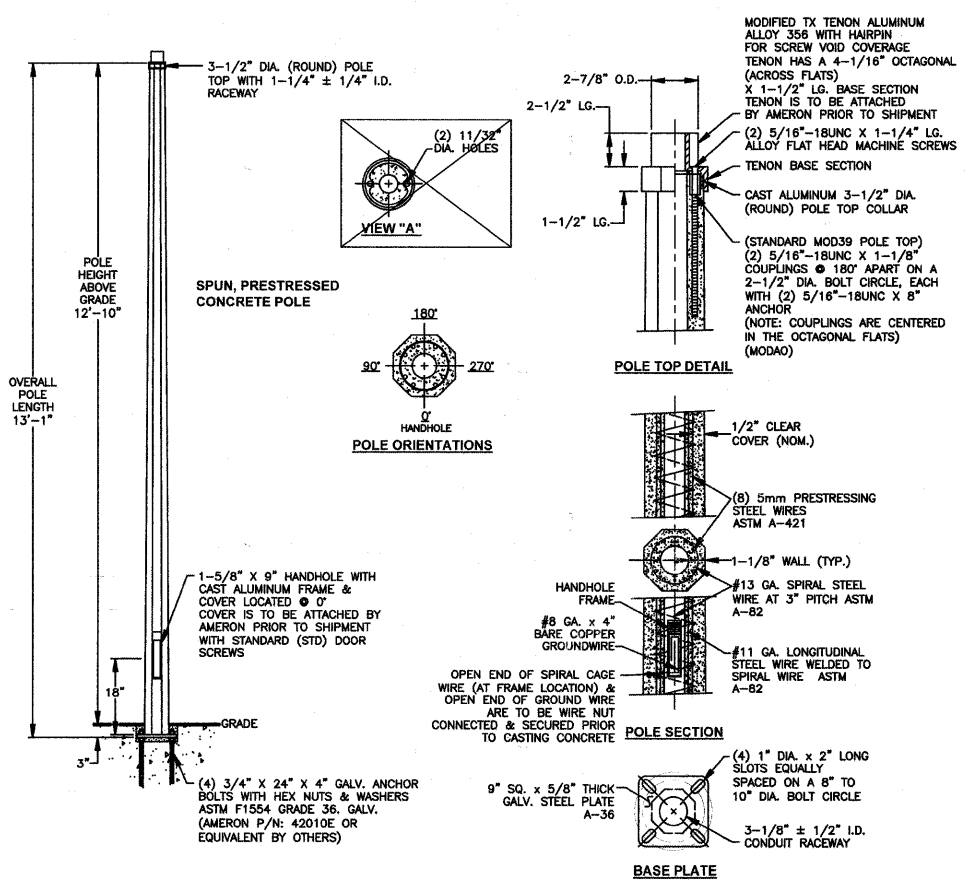
TYPICAL SECTION
GREAT WESTERN TRAIL



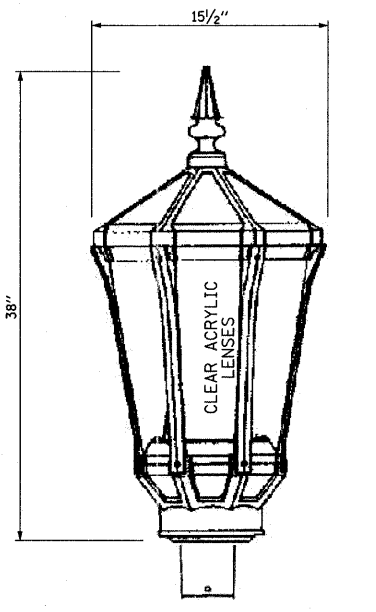
TYPICAL SECTION
GREAT WESTERN TRAIL

STA. 28+00.00 TO STA. 33+00.00
NOTE: GRADING AND DISTURBANCE LIMITED TO 14 FOOT WIDTH
ALONG ALIGNMENT IN THIS SECTION

NOTE: FOR LIGHT FOUNDATION DETAILS ON STRUCTURE, SEE BRIDGE PLANS.



SMALL BASE PLATE OCTAGONAL POLE						
POLE DESIGN-NATION	POLE HEIGHT ABOVE GRADE	OVERALL POLE LENGTH	BOLT CIRCLE	BASE O.D.	ULTIMATE G.L. MOMENT (ft. lbs.)	WEIGHT (lbs.)
SB004	12'-10"	13'-1"	10"	5-5/8"	6,960	220



LIGHT FIXTURE DETAIL
N.T.S.

FILE NAME =	USER NAME = cossar10	DESIGNED - BL	REVISED -
W:\756-004_Lombard - GWT Bridges Phase	I:\REC'D DRAWINGS\AMES\01756004-Ltg-05.dgn	DRAWN - RV	REVISED -
	PLOT SCALE = 50.00 / IN.	CHECKED - MSA	REVISED -
	PLOT DATE = 7/25/2011	DATE -	REVISED -

STATE OF ILLINOIS
GREAT WESTERN TRAIL

LIGHTING DETAILS				
SCALE:	SHEET NO.	SHEETS	STA.	TO STA.
N.T.S.				

F.A. RTE.	SECTION	COUNTY	TOTAL SHEETS	SHEET NO.
	06-00151-00-BR	DUPAGE	201	50
CONTRACT NO. 63568				
ILLINOIS FED. AID PROJECT				

LTG-05
AMES Engineering, Inc.
CONSULTING ENGINEERS
1841 Warren Avenue
Downers Grove, IL 60515
(630) 757-2897 (t); (630) 470-8891 (f)
www.amesengineeringinc.com