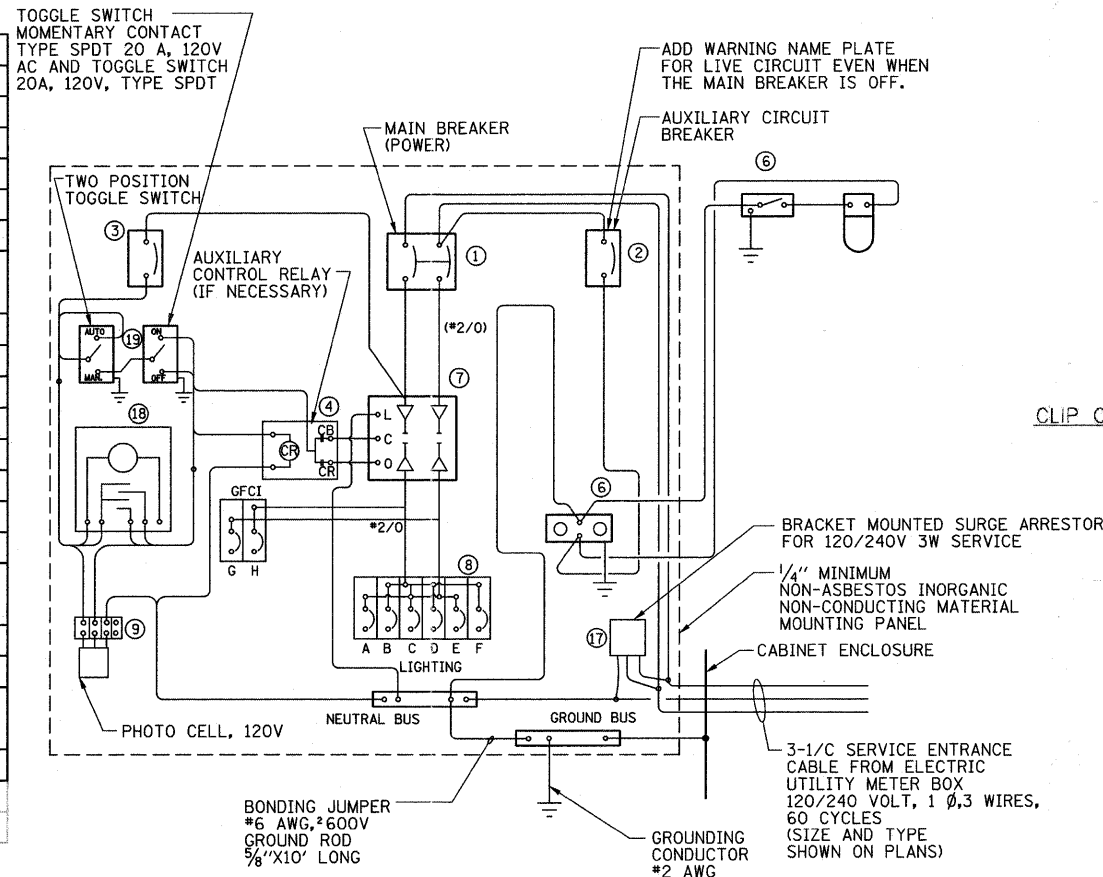
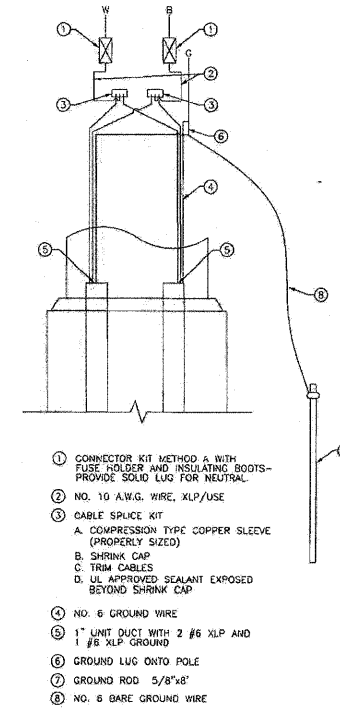
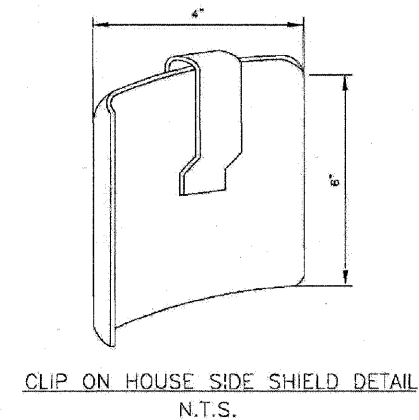


LIGHTING CONTROLLER COMPONENT SCHEDULE (2X)	
ITEM	SPECIFICATION OR EQUAL
1 MAIN CIRCUIT BREAKER	200 AMPERE, 2 POLE, 240 VOLT RATING
2 LAMPHOLDER CIRCUIT BREAKER	15 AMPERE, 1 POLE, 120 VOLT RATING
3 CONTROL SWITCH CIRCUIT BREAKER	15 AMPERE, 1 POLE, 120 VOLT RATING
4 AUXILLARY RELAY	120 VOLT SPST 60 HZ COIL
5	
6 LAMPHOLDER AND OUTLET	120 VOLT SWITCHED LAMPHOLDER AND 15 AMP GFI DUPLEX RECEPTACLE
7 REMOTE CONTROL SWITCH	200 AMPERE, 2 POLE, 240 VOLT RATING
8 BRANCH LINE CIRCUIT BREAKERS	CIRCUITS: 30 AMP, 1 POLE, 120 VOLT RATING
9 FOUR POINT TERMINAL BLOCK	600 VOLT
10 SERVICE CABLES	3- 600 VOLT (XLP-TYPE USE) NO. 3/0
11 LAMPHOLDER WIRE	2- 600 VOLT XLP NO. 10
12 CONTROL WIRE	2- 600 VOLT XLP NO. 10
13 BRANCH LINE CABLES	SEE PLANS FOR SIZE
14 PHOTOELECTRIC CONTROL WIRE	2- 600 VOLT XLP NO. 10
15 LIGHTING POLE WIRE	2- 600 VOLT THHN NO. 10 CABLES WITH POLE GROUND AND FUSING
16	
17 LIGHTING ARRESTOR	JOSLYN Z2-650-0 WITH MOUNTING BRACKET OR EQUAL
18 TIME CLOCK	SOLID STATE, ASTRONOMICAL BATTERY OPERATED CARRYOVER, 120V, 10 AMPS PER POLE
19 MAN-AUTO-OFF CONTROL SWITCH	15 AMPERE, 3 POLE, 120 VOLT RATING

PHOTOCELL TO BE BUTTON TYPE MOUNTED ABOVE DOOR IN ROOF FACING DOWN

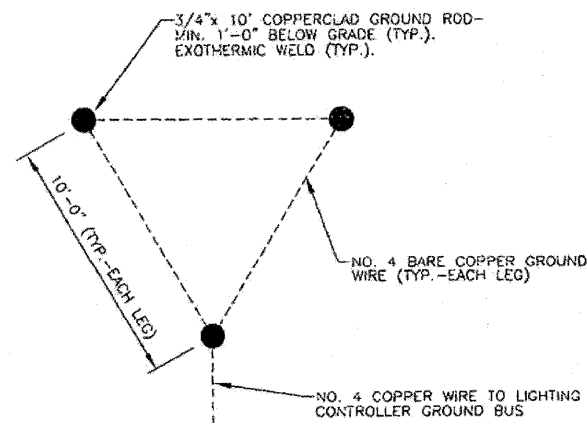


WIRING DIAGRAM

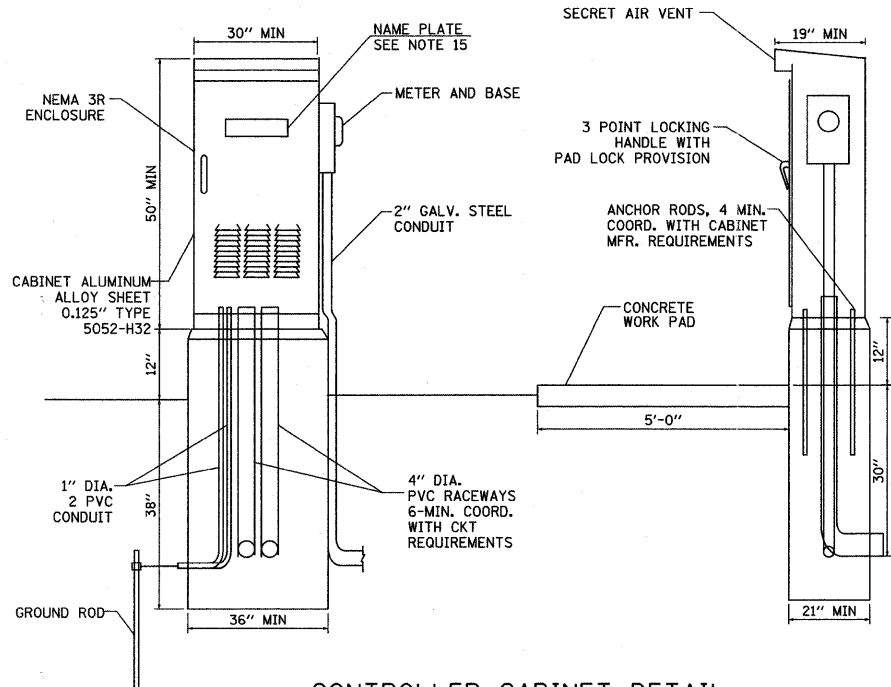


POLE HANDHOLE WIRING DIAGRAM

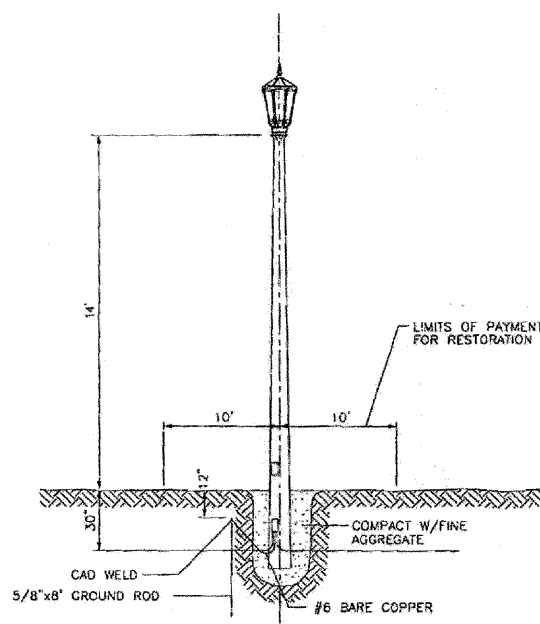
NOTE:
ALL CONDUCTORS IN THE UNIT DUCT RUNS SHALL HAVE INDIVIDUALLY COLOR-CODED INSULATION THROUGHOUT THE ENTIRE LENGTH OF THE CONDUCTOR. THE COLOR IDENTIFICATION FOR THE SYSTEM GROUND SHALL BE GREEN. THE PHASE CONDUCTORS SHALL BE IN ACCORDANCE WITH STANDARD I.D.O.T. PRACTICES FOR WIRING MULTICONDUCTOR CIRCUITS IN SINGLE UNIT DUCT RUNS.



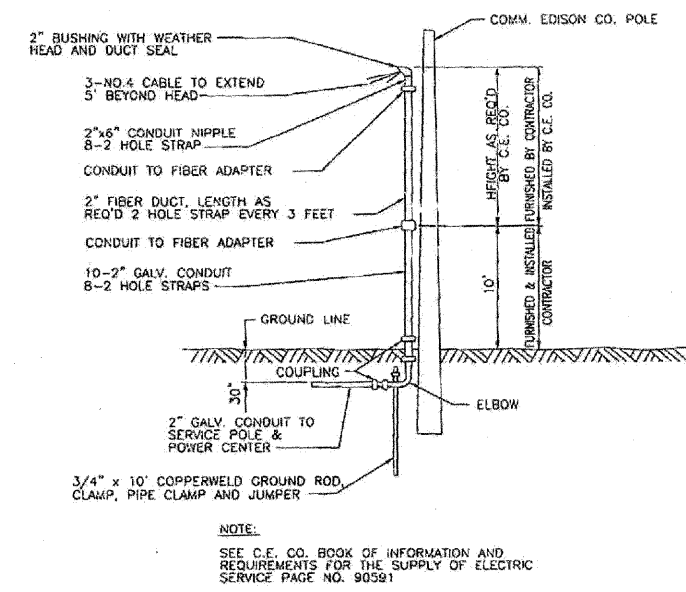
GROUND GRID DETAIL (TYP.)



CONTROLLER CABINET DETAIL



POLE INSTALLATION DETAIL



C.E. CO. OVERHEAD CONNECTION POLE

LTC-07

AMES Engineering, Inc.
CONSULTING ENGINEERS
1841 Warren Avenue
Downers Grove, IL 60515
(630) 757-1887 (t) (630) 470-8811 (f)
www.amesengineeringinc.com

FILE NAME =	USER NAME = ceeario	DESIGNED - BL	REVISED -
W:\756-004.Lombard - GWT Bridges Phase	IN\REC'D DRAWINGS\AMES\01756004-Ltg-07.dgn	DRAWN - RV	REVISED -
	PLOT SCALE = 50.00 / IN.	CHECKED - MSA	REVISED -
	PLOT DATE = 7/25/2011	DATE -	REVISED -

**STATE OF ILLINOIS
GREAT WESTERN TRAIL**

LIGHTING DETAILS
SCALE: N.T.S. SHEET NO. SHEETS STA. TO STA.

F.A. RTE.	SECTION	COUNTY	TOTAL SHEETS	SHEET NO.
	06-00151-00-BR	DUPAGE	201	52
				CONTRACT NO. 63568
ILLINOIS FED. AID PROJECT				