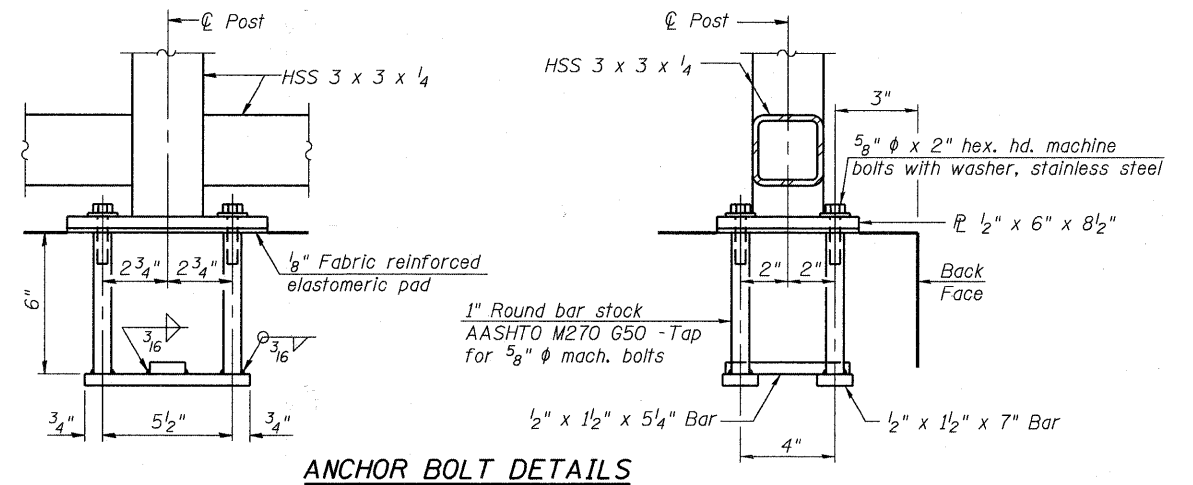
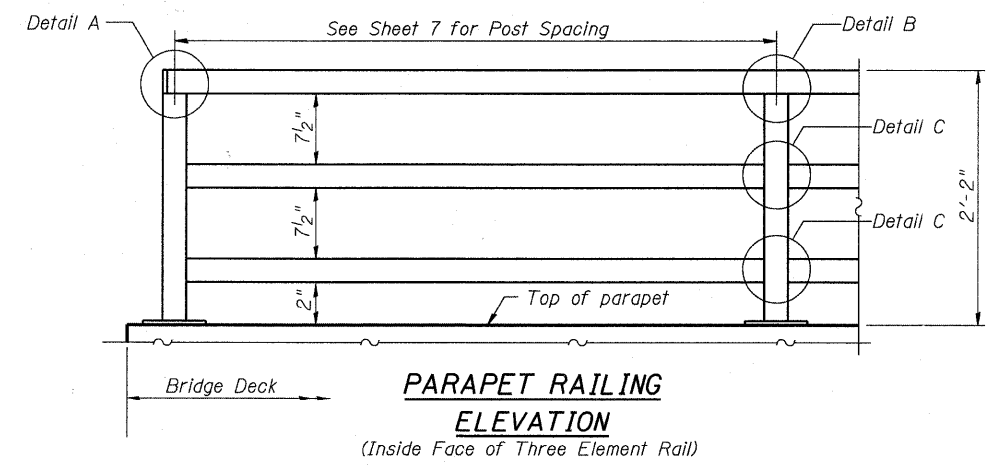
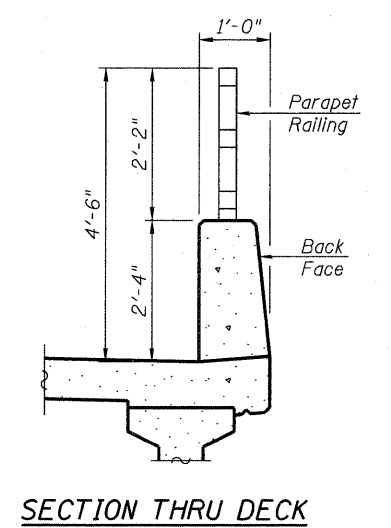
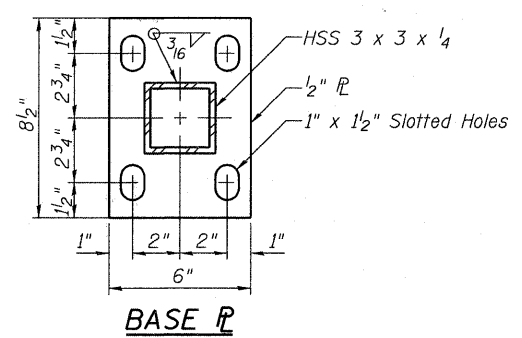
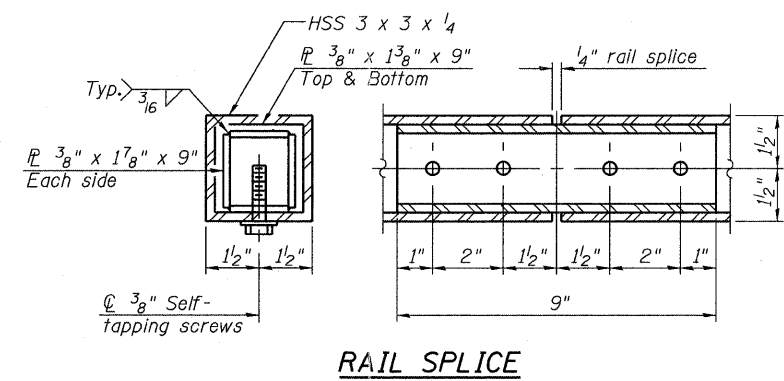


Notes:
All steel rail elements shall be galvanized according to Article 509.05 of the Standard Specifications.



In lieu of the cast-in-place anchor device shown, the Contractor has the option of drilling and setting 5/8" ϕ anchor rods according to Article 509.06 of the Standard Specifications, except anchor rod assemblies shall be stainless steel. Embedment shall be according to the manufacturer's specifications.

BILL OF MATERIAL

Item	Unit	Quantity
Parapet Railing	Foot	197

FILE NAME = s:\756-004_lombard - gnt bridges phase 1\road sheets\structural\grace\0223120-006-PARAPET RAILING.dgn

Bollinger, Lach & Associates, Inc.
ITASCA, ILLINOIS

USER NAME = gonzoio	DESIGNED <i>JJI</i>	REVISED -
PLOT SCALE =	CHECKED <i>SRT</i>	REVISED -
PLOT DATE = 7/26/2011	DRAWN <i>GM</i>	REVISED -
	CHECKED <i>SRT</i>	REVISED -

**STATE OF ILLINOIS
GREAT WESTERN TRAIL
GRACE STREET**

**PARAPET RAILING DETAILS
STRUCTURE NO. 022-3120**

SHEET NO. 8 OF 25 SHEETS

F.A. RTE.	SECTION	COUNTY	TOTAL SHEETS	SHEET NO.
	06-00151-00-BR	DuPAGE	201	60
			CONTRACT NO. 63568	
[ILLINOIS] FED. AID PROJECT				