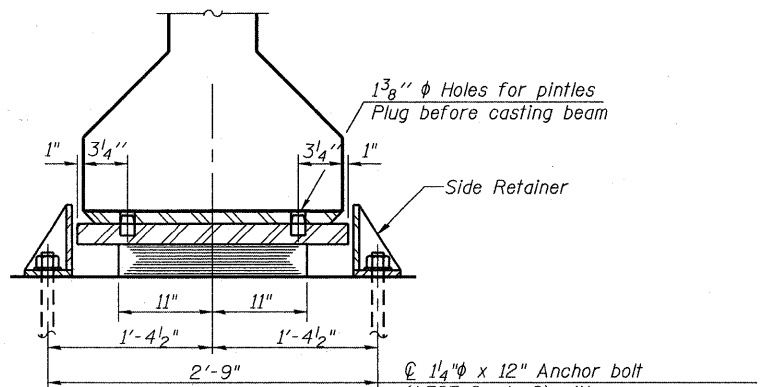
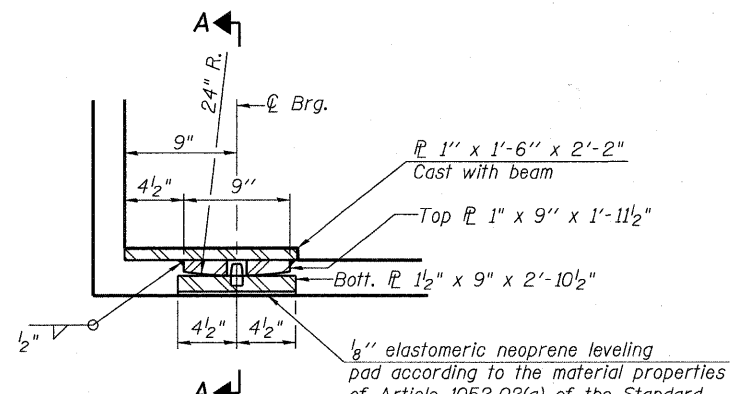


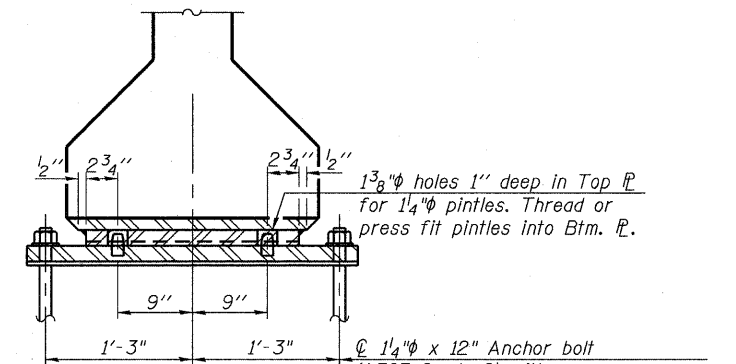
SECTION AT ABUT.



SECTION B-B



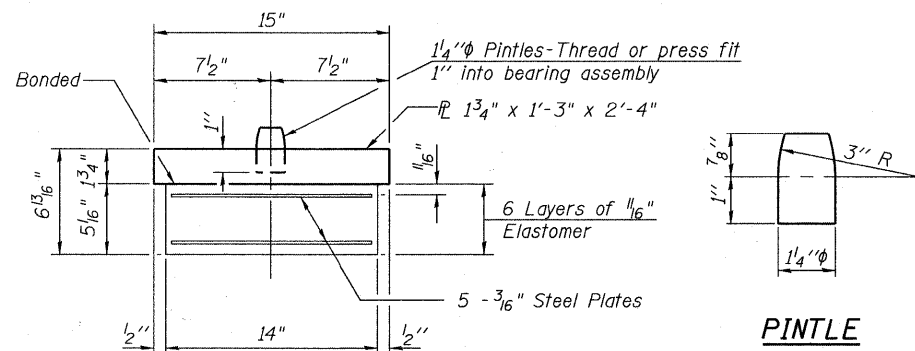
SECTION AT ABUT.



SECTION A-A

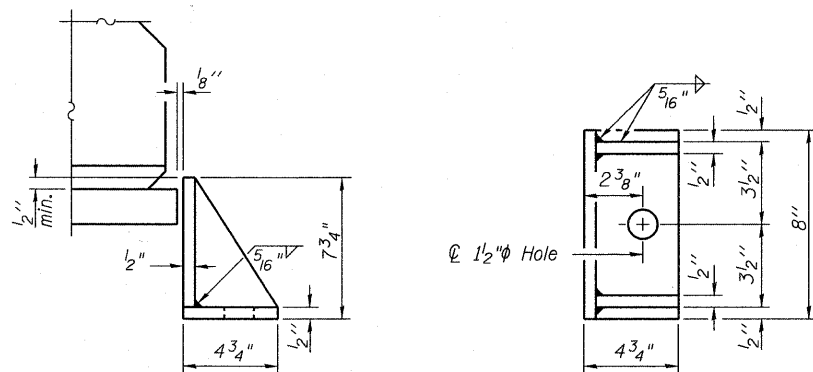
TYPE I ELASTOMERIC EXP. BRG.

West Abutment



BEARING ASSEMBLY

PINTLE

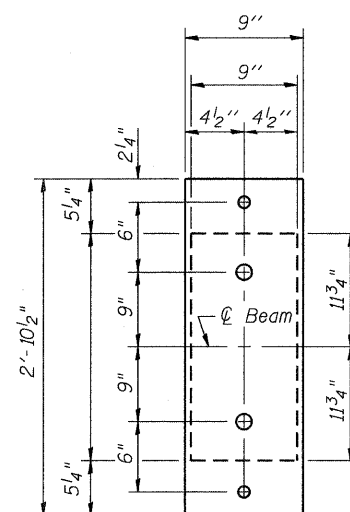


SIDE RETAINER

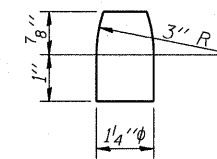
Equivalent rolled angle with stiffeners will be allowed in lieu of welded plates.

FIXED BEARING

East Abutment



PLAN OF TOP & BOTTOM PLATES



PINTLE

Notes:

The structural steel plates of the Bearing Assembly shall conform to the requirements of AASHTO M 270 Grade 50.

Anchor bolts shall be ASTM F1554 all-thread (or an Engineer-approved alternate material) of the grade(s) and diameter(s) specified. ASTM A307 Grade C anchor bolts may be used in lieu of ASTM F1554 Grade 36 (Fy=36ksi). The corresponding specified grade of AASHTO M314 anchor bolts may be used in lieu of ASTM F1554.

Anchor bolts for side retainers may be cast in place or installed in holes drilled after members are in place.

Anchor bolts at fixed bearings may be either cast in place or installed in holes drilled after the supported member is in place and prior to pouring the deck.

Drilled and set anchor bolts shall be installed according to Article 521.06 of the Standard Specifications.

Anchor Bolts shall be included in the cost of each bearing assembly.

Side retainers and other steel members required for the bearing assembly shall be included in the cost of Elastomeric Bearing Assembly, Type I.

See sheet 17 of 37 for additional details of plate cast with beam.

All steel shall be hot-dip Galvanized in Accordance with AASHTO M111 or M232 as applicable. Except top plate of Elastomeric Bearing which shall be Cold-Galvanized coated. Cost for these items included with each Bearing Assembly.

The anchor bolt sizes and grades shown constitute a calculated seismic structural fuse. Substitution of higher diameter and/or grade anchor bolts will not be allowed.

BILL OF MATERIAL

Item	Unit	Total
Elastomeric Bearing Assembly, Type I	Each	3
Steel Bearings Assembly	Each	3

FILE NAME = s:\756-004\lombard - g*\bridges\phase 11\ocdd sheets\structural\IPRR\0223122-018-BEARINGS.dgn

Bollinger, Lach & Associates, Inc.
ITASCA, ILLINOIS

USER NAME = gonzo10
PLOT SCALE =
PLOT DATE = 7/26/2011

DESIGNED SRT
CHECKED JJI
DRAWN GM
CHECKED JJI

REVISED -
REVISED -
REVISED -
REVISED -

**STATE OF ILLINOIS
GREAT WESTERN TRAIL
UNION PACIFIC RAILROAD**

**BEARINGS
STRUCTURE NO. 022-3122**

SHEET NO. 18 OF 37 SHEETS

F.A. RTE.	SECTION	COUNTY	TOTAL SHEETS	SHEET NO.
	06-00151-00-BR	DuPAGE	201	98
ILLINOIS FED. AID PROJECT				CONTRACT NO. 63568