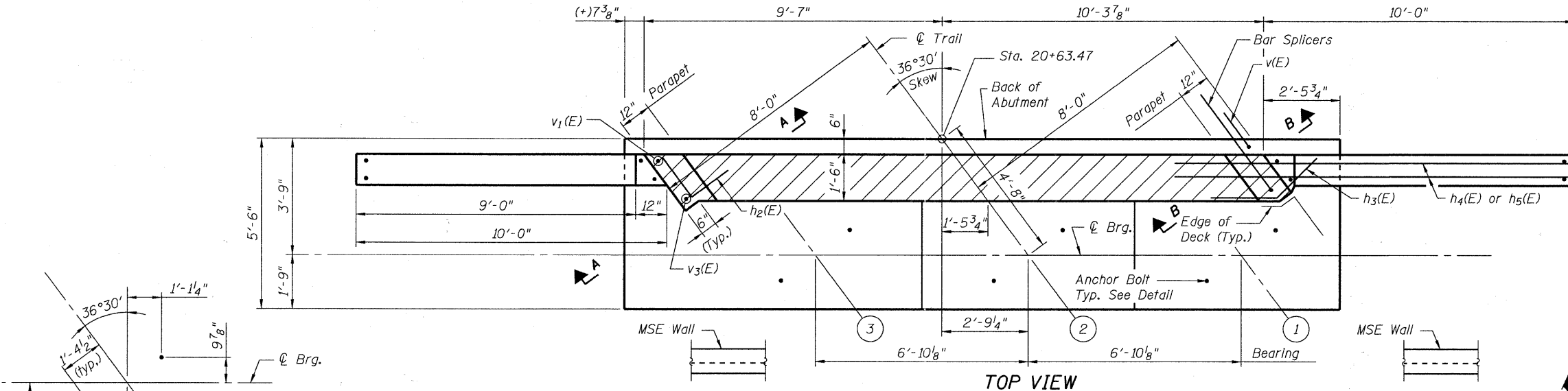
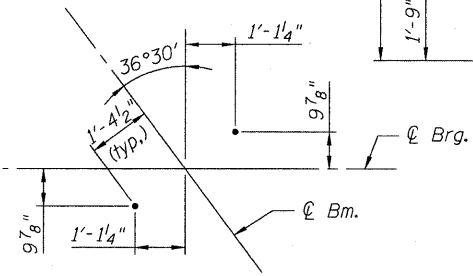


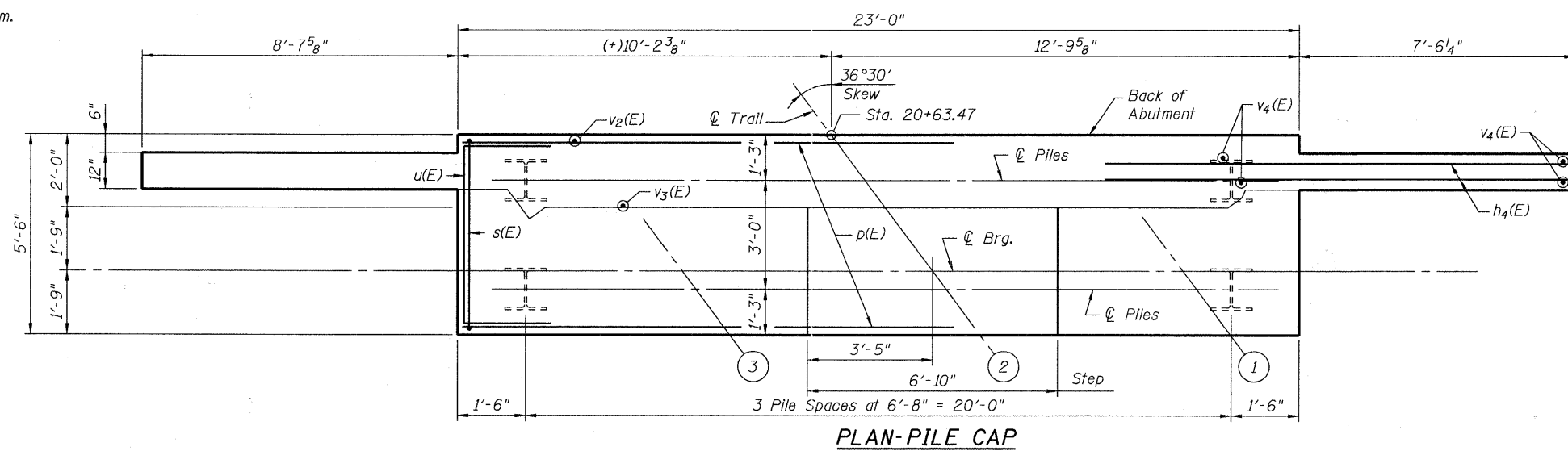
**ELEVATION**  
Looking West



**TOP VIEW**



**ANCHOR BOLT LOCATION**



**PLAN-PILE CAP**

**Notes:**  
 Hatched area to be poured after superstructure false work has been removed. Quantity of concrete included with Concrete Superstructure.  
 Space reinforcement in cap to miss anchor bolts. Pour steps monolithically with cap.  
 Contractor Shall coordinate abutment construction with construction of MSE retaining wall.  
 For MSE wall see sheet 26 of 37.

**PILE DATA**

Type: HP 12x63 with pile shoes  
 Nominal Required Bearing: 360 kips  
 Factored Resistance Available: 180 kips  
 Est. Length: 67 ft.  
 No. Production Piles: 7  
 No. Test Piles: 1

FILE NAME = \\N:\756-204\_Lombard - gnt\_bridges\_phase 11\load sheets\structural\UPRR\0223122-015-WEST ABUTMENT.dgn

**Bollinger, Lach & Associates, Inc.**  
 TASCAL, ILLINOIS

USER NAME = gonzo	DESIGNED SRT	REVISD -
PLOT SCALE =	CHECKED JJI	REVISD -
PLOT DATE = 7/26/2011	DRAWN GM	REVISD -
	CHECKED JJI	REVISD -

**STATE OF ILLINOIS**  
**GREAT WESTERN TRAIL**  
**UNION PACIFIC RAILROAD**

**WEST ABUTMENT**  
**STRUCTURE NO. 022-3122**  
 SHEET NO. 19 OF 37 SHEETS

F.A. RTE.	SECTION	COUNTY	TOTAL SHEETS	SHEET NO.
	06-00151-00-BR	DUPAGE	201	99
			CONTRACT NO. 63568	
ILLINOIS FED. AID PROJECT				