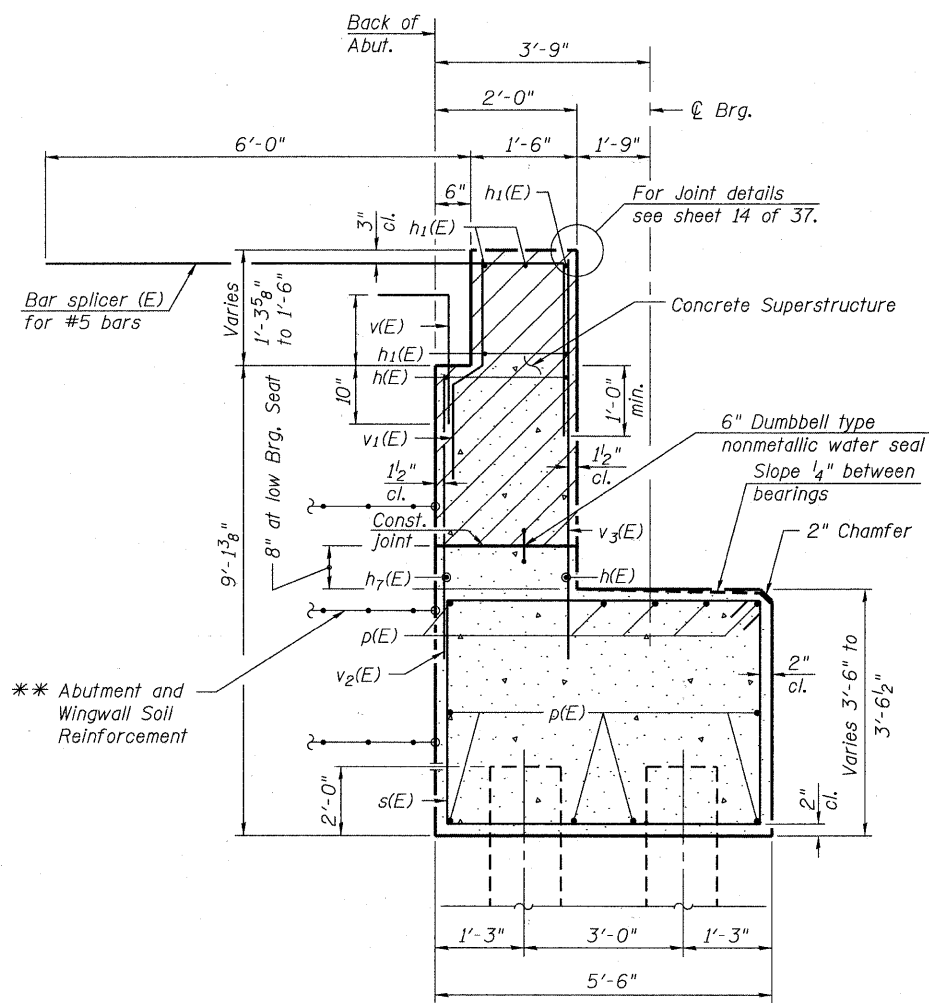
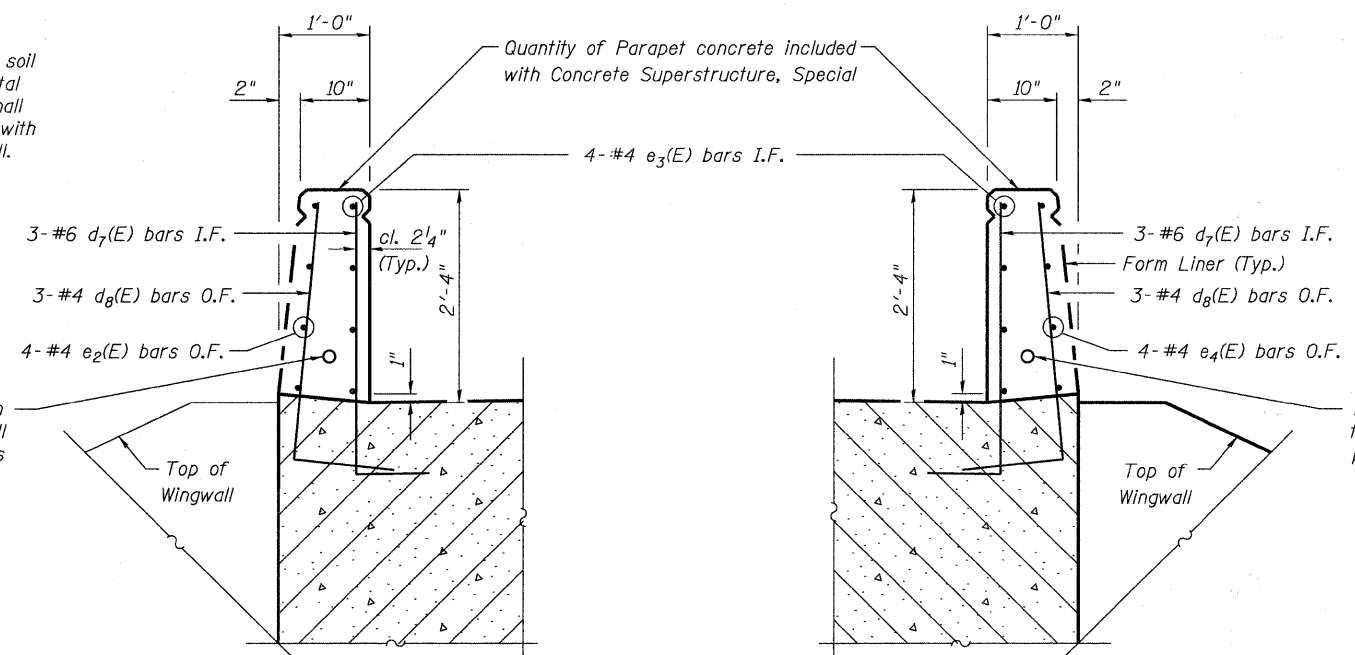
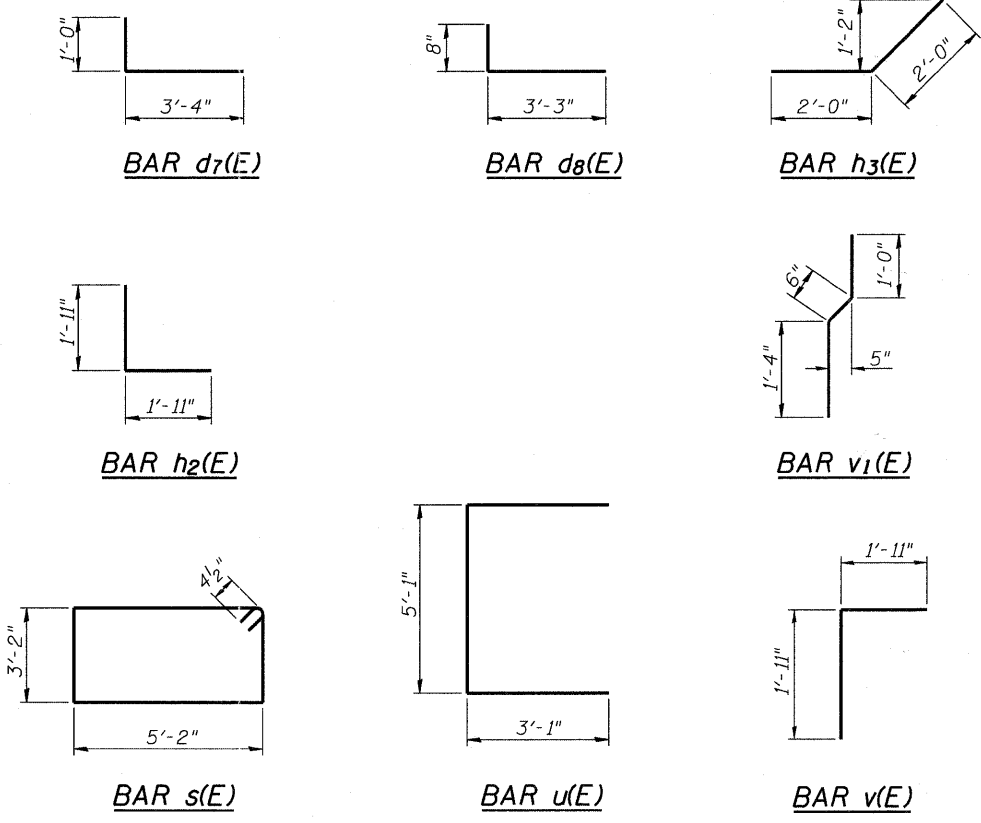


FILE NAME = s:\756-004\lombard - gat bridges phase 1\load sheets\structure\UPRR\0223122-022-EAST ABUTMENT DETAILS.dgn



SEC. THRU ABUT.

** The M.S.E. wall supplier shall design the abutment and wingwall soil reinforcement to resist a horizontal force of 2 kips/ft. Contractor shall coordinate abutment construction with construction of MSE retaining wall.



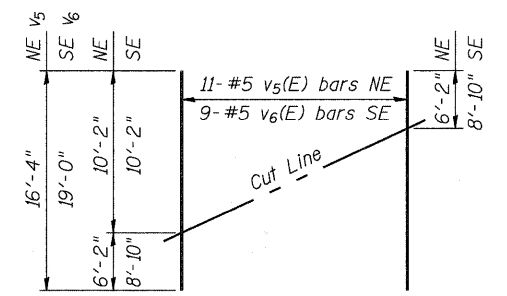
SECTION A-A
(Northwest backwall parapet)

SECTION B-B
(Southwest backwall parapet)

**EAST ABUTMENT
BILL OF MATERIAL**

Bar	No.	Size	Length	Shape
d7(E)	6	#6	4'-4"	[Diagram]
d8(E)	6	#4	3'-11"	[Diagram]
e2(E)	4	#4	2'-2"	[Diagram]
e3(E)	8	#4	1'-7"	[Diagram]
e4(E)	4	#4	1'-3"	[Diagram]
h(E)	6	#5	19'-0"	[Diagram]
h1(E)	5	#6	19'-3"	[Diagram]
h2(E)	8	#5	3'-10"	[Diagram]
h3(E)	8	#5	4'-0"	[Diagram]
h4(E)	36	#7	12'-9"	[Diagram]
h5(E)	12	#5	12'-6"	[Diagram]
h7(E)	6	#5	19'-7"	[Diagram]
p(E)	11	#7	22'-8"	[Diagram]
s(E)	40	#4	17'-5"	[Diagram]
u(E)	8	#6	11'-3"	[Diagram]
v(E)	21	#5	3'-10"	[Diagram]
v1(E)	21	#4	2'-10"	[Diagram]
v2(E)	24	#5	7'-11"	[Diagram]
v3(E)	21	#5	9'-5"	[Diagram]
v5(E)	11	#5	16'-4"	[Diagram]
v6(E)	9	#5	19'-0"	[Diagram]
Concrete Structures		Cu. Yd.	22.5	
Concrete Superstructure		Cu. Yd.	9.8	
Concrete Superstructure, Special		Cu. Yd.	0.3	
Reinforcement Bars, Epoxy Coated		Pound	3,630	
Furnishing Steel Piles, HP 12x63		Foot	469	
Pile Shoes		Each	8	
Bar Splicers		Each	21	
Driving Piles		Foot	469	
Test Pile, HP 12x63		Each	1	
Concrete Sealer		Sq. Ft.	290	
Anti-Graffiti Protection System		Sq. Ft.	189	
Form Liner Textured Surface, Special		Sq. Ft.	102	

For details of Bar Splicers, see sheet 25 of 37.
For details of piles, see sheet 24 of 37.



FIELD CUTTING DIAGRAM

Order v5(E) and v6(E) bars full length. Cut as shown and use remainder of bars in opposite face.

Bollinger, Lach & Associates, Inc.
ITASCA, ILLINOIS

USER NAME = gonzo
PLOT SCALE =
PLOT DATE = 7/26/2011

DESIGNED SRT
CHECKED JJI
DRAWN GM
CHECKED JJI

REVISED -
REVISED -
REVISED -
REVISED -

**STATE OF ILLINOIS
GREAT WESTERN TRAIL
UNION PACIFIC RAILROAD**

**EAST ABUTMENT DETAILS
STRUCTURE NO. 022-3122**
SHEET NO. 22 OF 37 SHEETS

F.A. RTE.	SECTION	COUNTY	TOTAL SHEETS	SHEET NO.
	06-00151-00-BR	DuPAGE	201	102
				CONTRACT NO. 63568
				ILLINOIS FED. AID PROJECT