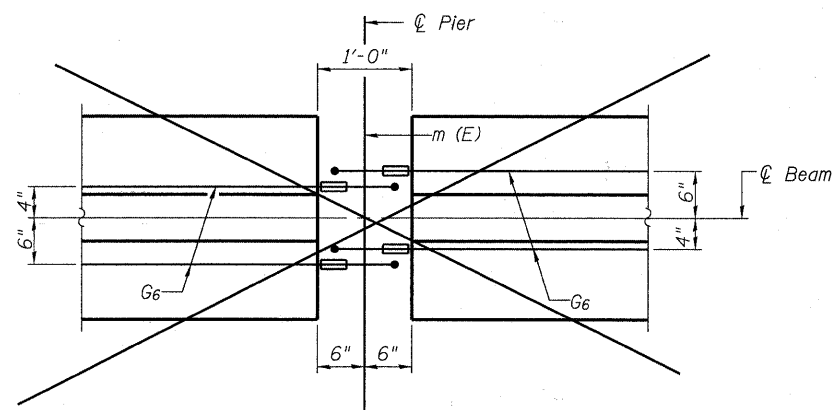
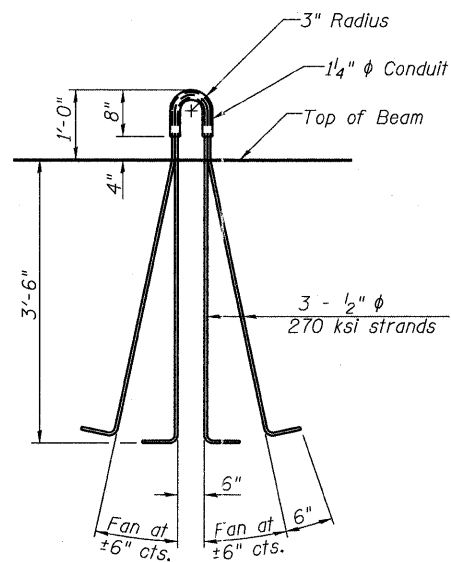


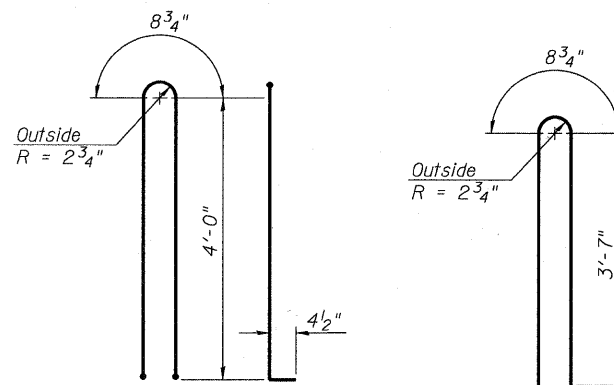
ELEVATION OF BEAM AT PIER



PLAN OF BEAM AT PIER

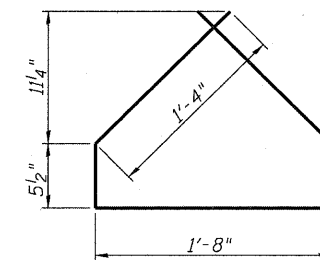


LIFTING LOOP DETAIL

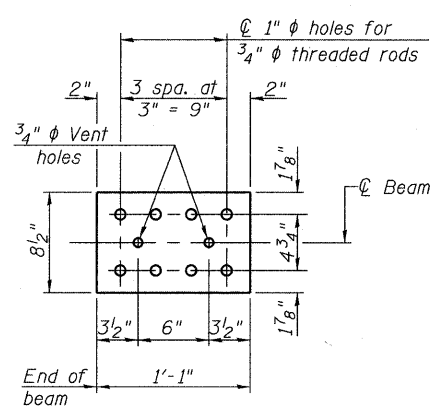


BAR G1

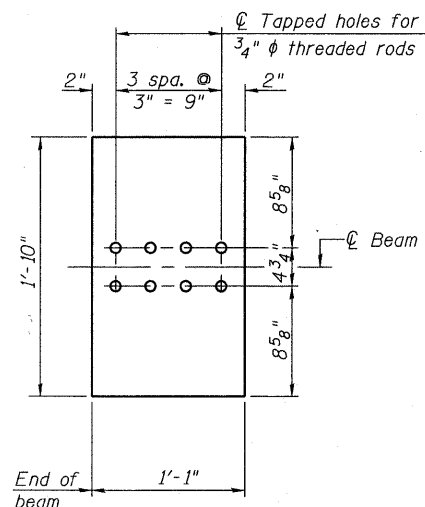
BAR G2



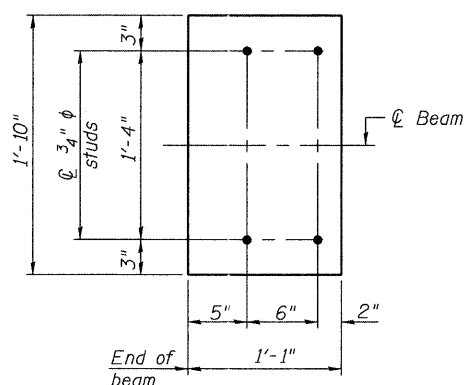
BAR G4



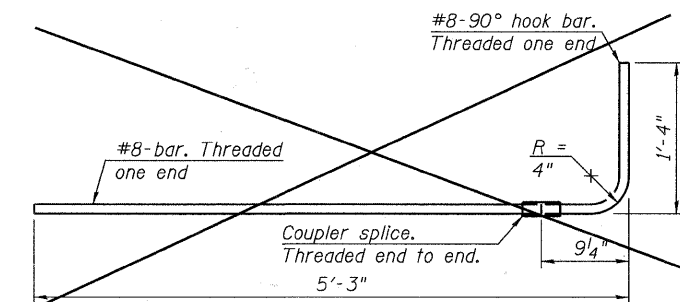
TOP PLATE



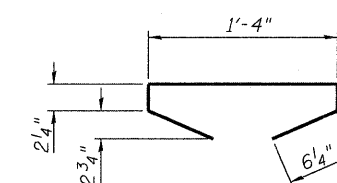
BOTTOM PLATE
(Showing threaded rods)



BOTTOM PLATE
(Showing studs)



G6 BAR ASSEMBLY



BAR G5

NOTES
 Inserts for 3/4" ϕ threaded dowel rods, when specified, are to be two strut, ferrule type for interior beams and single ferrule, flared loop type for exterior beams.
 Prestressing steel shall be uncoated high strength, low relaxation 7-wire strand, Grade 270. The nominal diameter shall be 1/2" and the nominal cross-sectional area shall be 0.153 sq. in.
 Reinforcement bars shall conform to ASTM A 706, Grade 60. (See Special Provisions). A minimum 2 1/2" ϕ lifting pin shall be used to engage the lifting loops during handling.
~~The G6 bars when necessary to maintain 1/2" clearance.~~
 The top and bottom plates shall be AASHTO M270 Grade 50.
 The bottom plates and studs shall be galvanized according to AASHTO M111. Top plates and threaded rods need not be galvanized.
 Threaded rods shall be ASTM F 1554 Grade 55.
~~The G6 bar assembly shall have the threaded ends oversized to ensure no reduction in cross-sectional area after threading. The coupler splice shall be capable of developing 125 percent of the yield strength of the reinforcement bar.~~
 Beams requiring G6 bar assemblies shall not be released from the fabricator until they have attained 45 days of age or older.

BILL OF MATERIAL

Item	Unit	Total
Furnishing and Erecting Precast Prestressed Concrete I-Beams, 48"	Ft.	393

See bearing details for pintle hole locations when required.

FILE NAME = s:\756-2004_lombard - get bridges phase 1\load sheets\structural\ST CHARLES\0223121-015-48 I-BEAM DETAILS IL.dgn

PI-4-48D

7-1-10



USER NAME = gonzalo	DESIGNED SRT SRT	REVISED -
PLOT SCALE =	CHECKED JJI JJI	REVISED -
PLOT DATE = 7/26/2011	DRAWN GM GM	REVISED -
	CHECKED JJI JJI	REVISED -

STATE OF ILLINOIS
GREAT WESTERN TRAIL
ST. CHARLES ROAD

48" PPC I-BEAM DETAILS
STRUCTURE NO. 022-3121

SHEET NO. 15 OF 29 SHEETS

F.A. RTE.	SECTION	COUNTY	TOTAL SHEETS	SHEET NO.
	06-00151-00-BR	DuPAGE	201	132
			CONTRACT NO. 63568	
ILLINOIS FED. AID PROJECT				