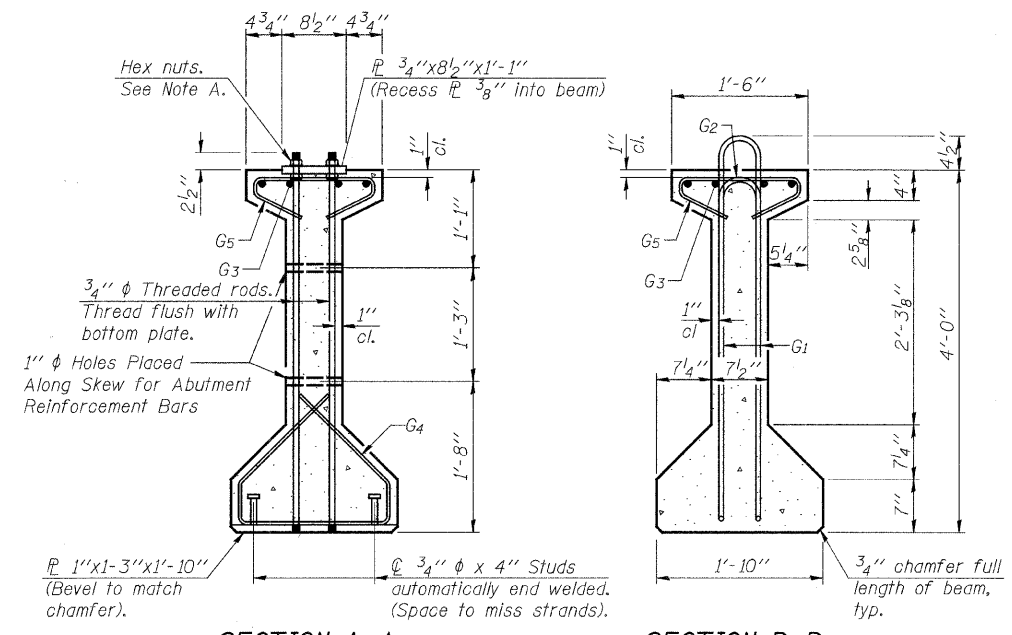
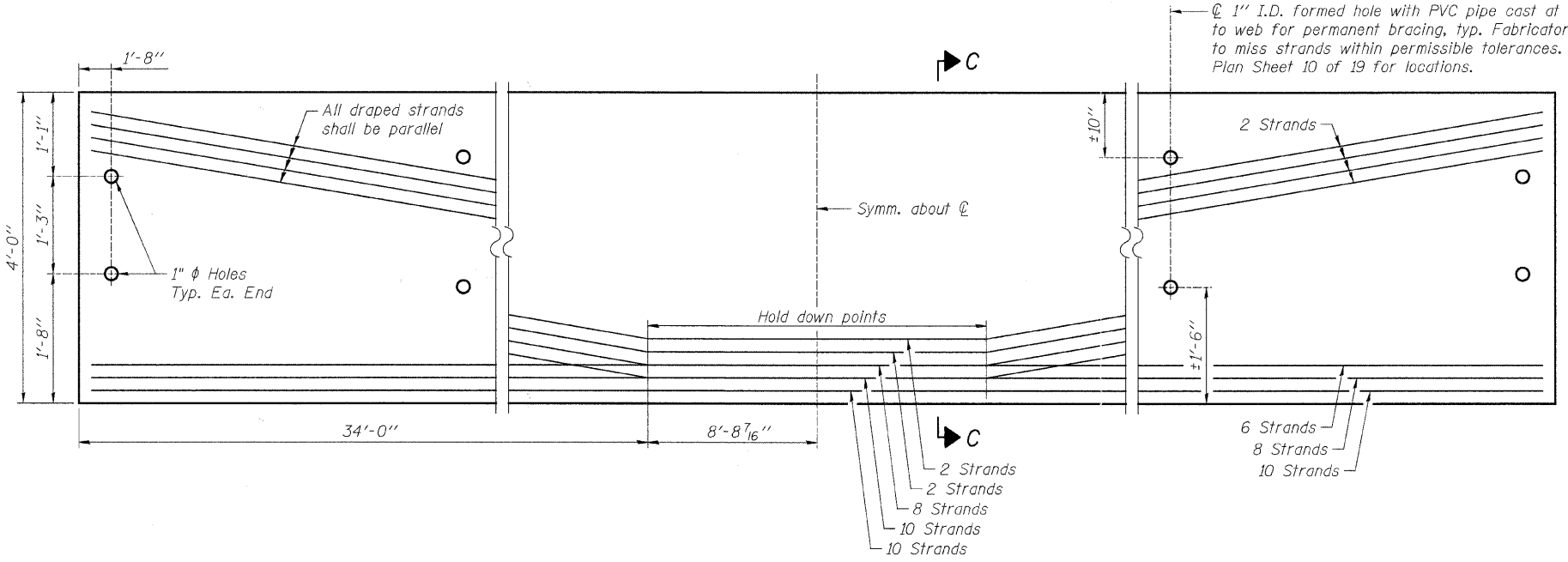


ELEVATION OF BEAM
 (Showing reinforcement & dimensions)

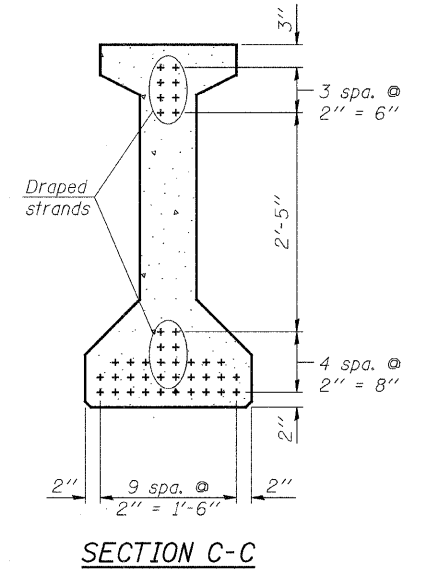
* 3 spaces at 3" = 9".
 ** 4-3/4" φ threaded dowel rods at 3" cts., Each Face.



NOTE A:
 Hex nuts (top and bottom) with lock washers (top). Only tighten sufficiently to compress lock washers.



ELEVATION OF BEAM
 (Showing prestressing steel)



*****BAR LIST ONE BEAM ONLY**

Bar	No.	Size	Length	Shape
G ₁	133	#4	9'-6"	∩ L
G ₂	12	#4	7'-11"	∩
G ₃	12	#7	30'-9"	—
G ₄	38	#3	5'-3"	∩
G ₅	86	#3	2'-9"	∩

***For information only

NOTES:

See sheet 14 of 19 for additional details and Bill of Material.

Required release strength, f'ci, shall be 6,000 psi.

FILE = S:\Struct\1033004-Indiana Avenue\Design\Structural Drawings\1033004\Beam.dgn

REVISION	DATE	BY	REMARKS

DRAWN R.D.A.
 CHECKED M.C.W.
 APPROVED B.K.C.
**ILLINOIS DEPARTMENT OF TRANSPORTATION
 BRIDGE REPLACEMENT
 INDIANA AVENUE (CH 24) OVER TRIM CREEK**

WILLET HOFMANN & ASSOCIATES INC.
 ENGINEERING ARCHITECTURE LAND SURVEYING
 809 EAST 2ND STREET, DIXON, IL 61021-0367
 T: 815-284-3381 DESIGN FIRM: #184-000918

WILL COUNTY

**48" PPC I-BEAM
 STRUCTURE NO. 099-3378
 STRUCTURAL SHEET NO. 13 OF 19 SHEETS**

SECTION	COUNTY	TOTAL SHEETS	SHEET NO.
01-00042-07-BR	WILL	58	26
STA. 47+00	STA. 53+50		
WHA #: 1033004	DATE: 6/9/2011		

CONTRACT NO. 63617