

**NOTES:**

Inserts for 3/4" φ threaded dowel rods, when specified, are to be two strut, ferrule type for interior beams and single ferrule, flared loop type for exterior beams.

Prestress steel shall be uncoated high strength, low relaxation 7-wire strand, Grade 270. The nominal diameter shall be 1/2" and the nominal cross-sectional area shall be 0.153 sq. in.

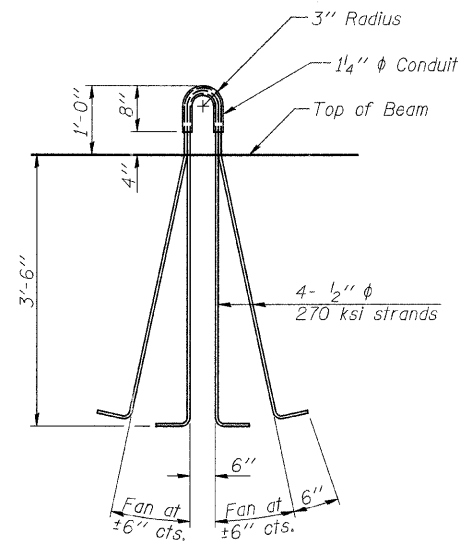
Reinforcement bars shall conform to ASTM A 706, Grade 60. (See Special Provisions).

A minimum 2 1/2" φ lifting pin shall be used to engage the lifting loops during handling.

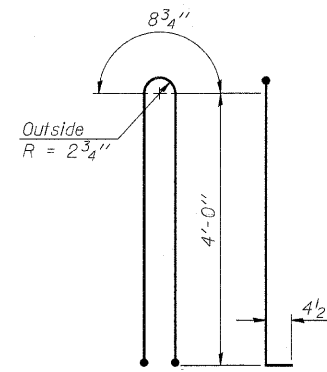
The top and bottom plates shall be AASHTO M270 Grade 50.

The bottom plates and studs shall be galvanized according to AASHTO M111. Top plates and threaded rods need not be galvanized.

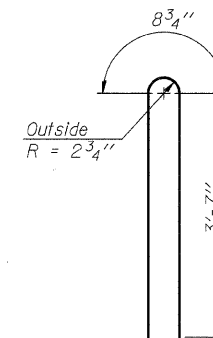
Threaded rods shall be ASTM F 1554 Grade 55.



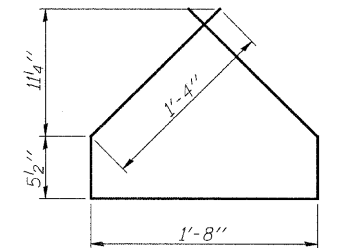
**LIFTING LOOP DETAIL**



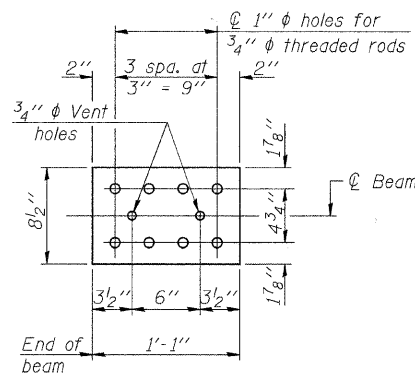
**BAR G1**



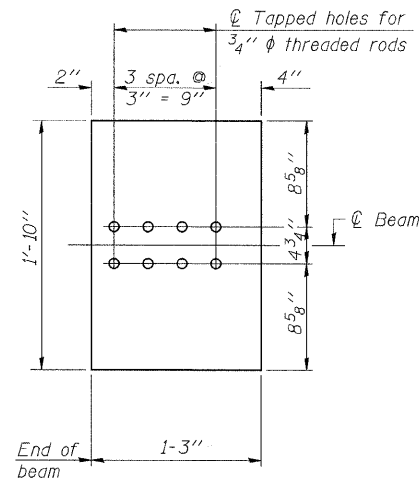
**BAR G2**



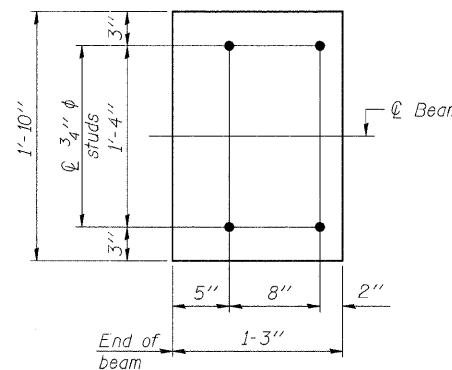
**BAR G4**



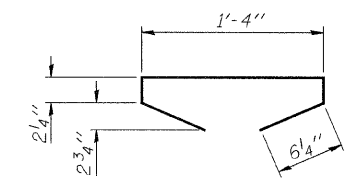
**TOP PLATE**



**BOTTOM PLATE**  
(Showing threaded rods)



**BOTTOM PLATE**  
(Showing studs)



**BAR G5**

**NOTE:**  
See bearing details for pintle hole locations when required.

**BILL OF MATERIAL**

Item	Unit	Total
Furnishing and Erecting Precast Prestressed Concrete I-Beams, 48"	Foot	602

FILE = S:\Struct\1033004-Indiana Avenue\Design\Structural Drawings\1033004Beam.dgn

REVISION	DATE	BY	REMARKS

DRAWN R.D.A.	ILLINOIS DEPARTMENT OF TRANSPORTATION BRIDGE REPLACEMENT INDIANA AVENUE (CH 24) OVER TRIM CREEK
CHECKED M.C.W.	
APPROVED B.K.C.	

**WILLET HOFMANN ASSOCIATES INC.**  
ENGINEERING ARCHITECTURE LAND SURVEYING  
809 EAST 2ND STREET, DIXON, IL 61021-0367  
T: 815-284-3381 DESIGN FIRM: #184-000918

**WILL COUNTY**

**48" PPC I-BEAM DETAILS**  
**STRUCTURE NO. 099-3378**  
**STRUCTURAL SHEET NO. 14 OF 19 SHEETS**

SECTION 01-00042-07-BR	COUNTY WILL	TOTAL SHEETS 58	SHEET NO. 27
STA. 47+00 - STA. 53+50	DATE: 6/9/2011		
WHA #: 1033004			

CONTRACT NO. 63617