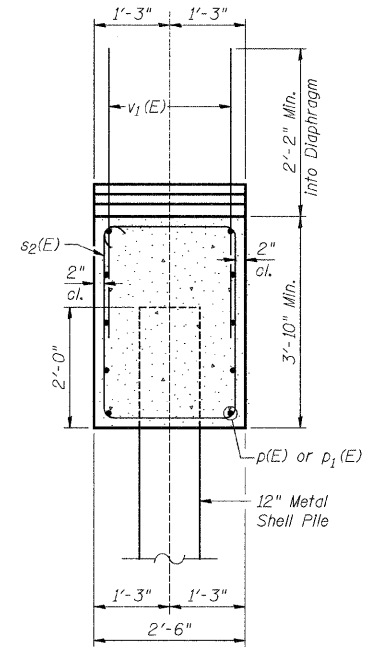
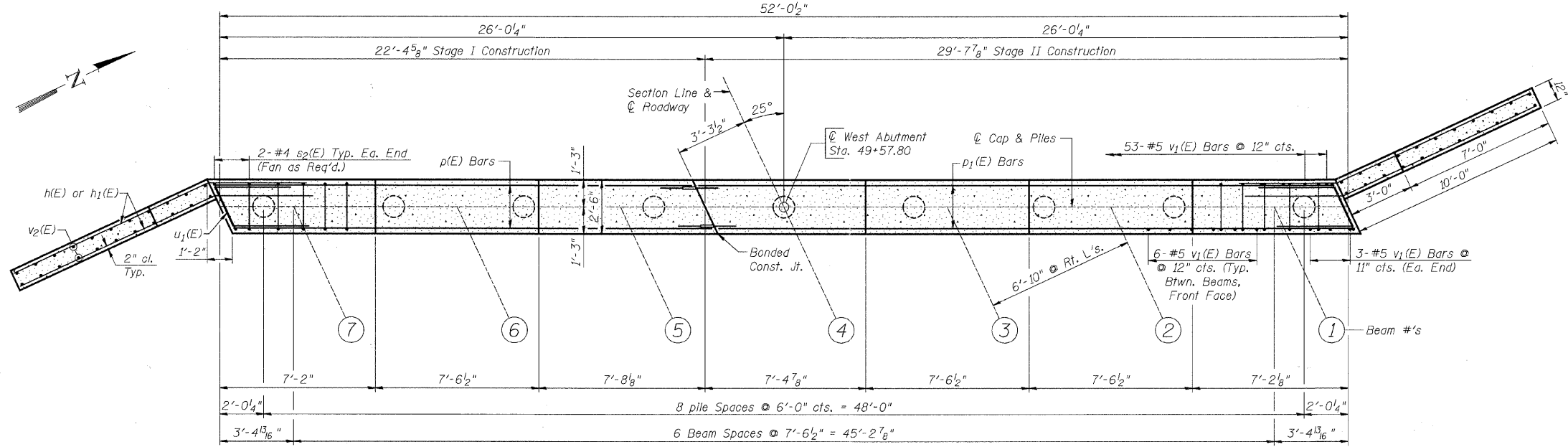


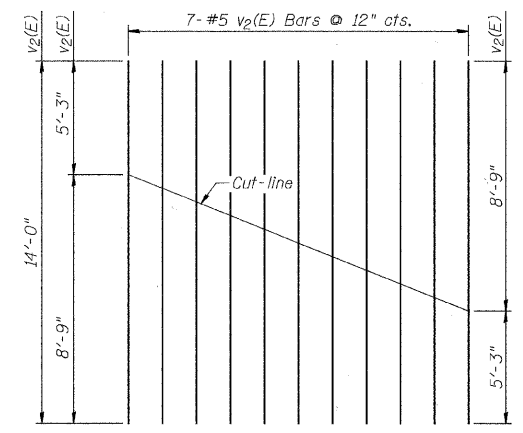
ELEVATION
(Looking West)



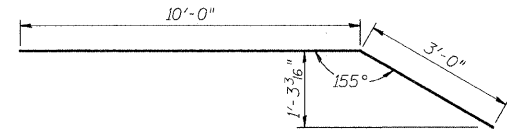
SECTION THRU ABUT.
(@ RT. L's)



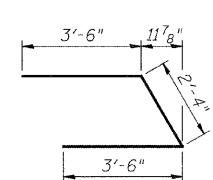
PLAN



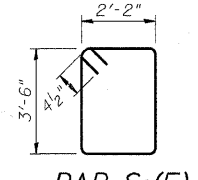
FIELD CUTTING DIAGRAM v2(E) BARS
Order v2(E) bars full length. Cut as shown and use remainder of bars in opposite face



BAR h(E)



BAR u1(E)



BAR s2(E)

PILE DATA

Type: Metal Shell 12" φ x 0.250"
Nominal Required Bearing: 318 kips/pile
Factored Resistance Available: 175 kips/pile
Est. Length: 61'
No. Production Piles: 8
No. Test Piles: 1

NOTES:

- Hatched area of wings to be poured after beams are in place.
- Reinforcement bars designated (E) shall be epoxy coated.
- Reinforcement bars shall be according to the requirements of AASHTO M 31 (M 31M) or M 322 (M 322M), Grade 60 (400) for deformed bars.
- All exposed edges shall have standard 3/4" chamfers except as noted.
- Pour steps monolithically with cap.
- Fan s2(E) bars as required at Stage Line.

BILL OF MATERIAL

Bar	No.	Size	Length	Shape
h(E)	24	#5	13'-0"	—
h1(E)	34	#5	13'-0"	—
p(E)	10	#7	22'-0"	—
p1(E)	10	#7	29'-3"	—
s2(E)	52	#5	12'-1"	□
u1(E)	8	#6	9'-4"	—
v1(E)	95	#5	5'-0"	—
v2(E)	14	#5	14'-0"	—
v3(E)	12	#5	8'-9"	—
Structure Excavation			Cu. Yd.	104
Concrete Structures			Cu. Yd.	25.2
Reinforcement Bars (Epoxy Coated)			Pound	3,410
Bar Splicers			Each	10
Furnishing Metal Shell Piles 12"x0.250"			Foot	488
Driving Piles			Foot	488
Test Pile Metal Shells			Each	1
Geocomposite Wall Drain			Sq. Yd.	63
Concrete Headwalls for Pipe Drains			Each	2
Pipe Underdrains for Structures, 4"			Foot	94
Porous Granular Embankment, Special			Cu. Yd.	120

FILE = S:\Struct\1033004-Indiana Avenue\Design\Structural Drawings\1033004\WAbut.dgn

REVISION	DATE	BY	REMARKS

ILLINOIS DEPARTMENT OF TRANSPORTATION
BRIDGE REPLACEMENT
INDIANA AVENUE (CH 24) OVER TRIM CREEK

WILLET HOFMANN & ASSOCIATES INC.
ENGINEERING ARCHITECTURE LAND SURVEYING
809 EAST 2ND STREET, DIXON, IL 61021-0367
T: 815-294-3381 DESIGN PRAC: #154-000918

WILL COUNTY

WEST ABUTMENT DETAILS
STRUCTURE NO. 099-3378
STRUCTURAL SHEET NO. 15 OF 19 SHEETS

SECTION	COUNTY	TOTAL SHEETS	SHEET NO.
01-00042-07-BR	WILL	58	28
STA. 47+00	STA. 53+50		
WHA #: 1033004	DATE: 6/9/2011		

CONTRACT NO. 63617