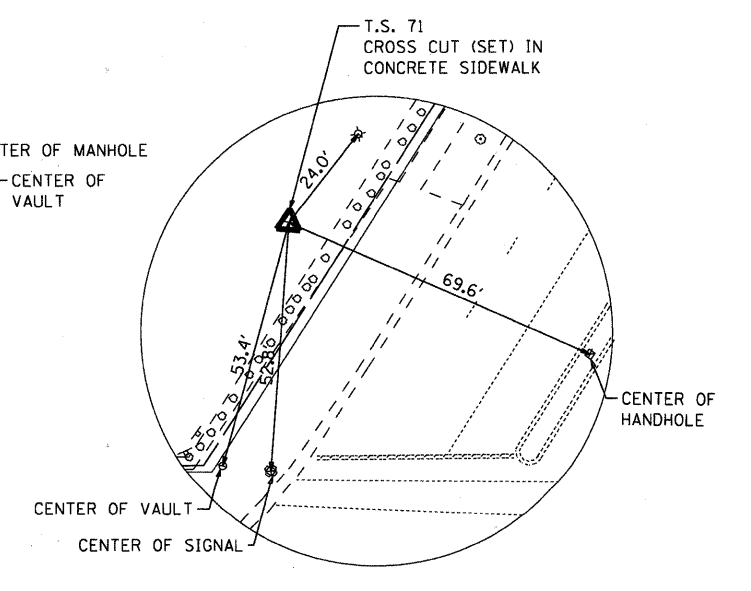
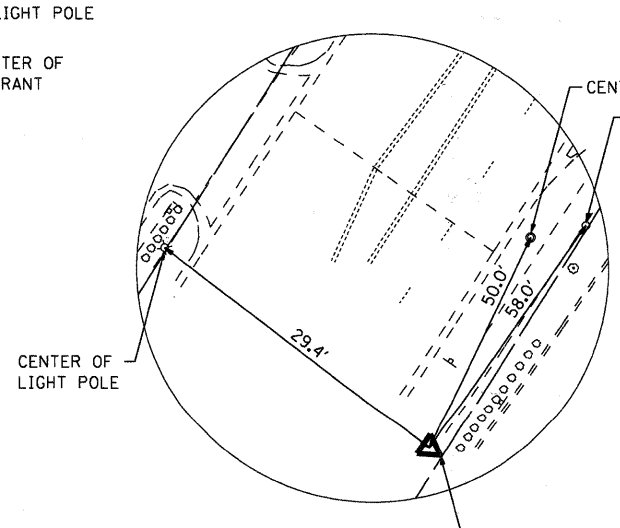
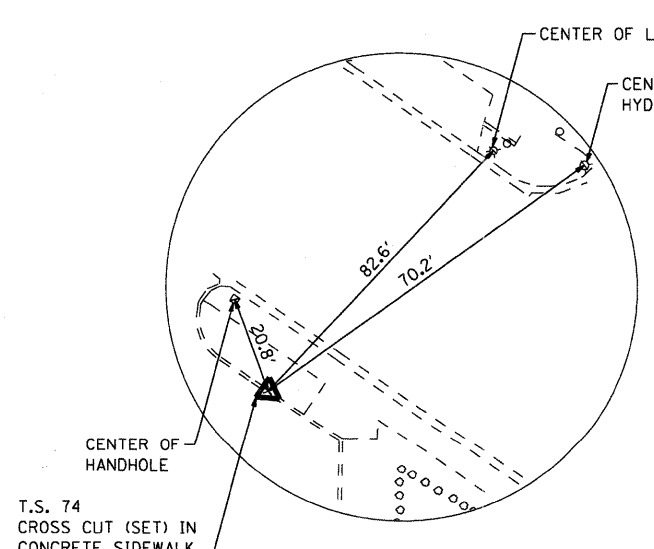


- BENCHMARKS**
- BM #1: VILLAGE OF NILES MONUMENT NO. 1 - SURVEY MONUMENT LOCATED APPROXIMATELY 137 FEET EAST/NORTHEAST OF THE CENTERLINE OF MILWAUKEE AVENUE AND 17 FEET NORTH/NORTHWEST OF THE CENTERLINE OF EBINGER STREET. ELEVATION = 619.93
 - BM #2: CUT CROSS IN CONCRETE SIDEWALK APPROXIMATELY 24 FEET EAST/NORTHEAST OF THE CENTERLINE OF MILWAUKEE AVENUE AND 51 FEET NORTH OF THE CENTERLINE OF WEST ALBIAN AVENUE. ELEVATION = 622.53
 - BM #3: CUT CROSS IN CONCRETE SIDEWALK APPROXIMATELY 27 FEET EAST/NORTHEAST OF THE CENTERLINE OF MILWAUKEE AVENUE AND 52 FEET SOUTH OF THE CENTERLINE OF BIRCHWOOD AVENUE. ELEVATION = 641.62



COMPANY NAME: HRGreen
 PROJECT CONTACT: HRGreen
 CLIENT: ILLINOIS
 DATE PLOTTED: 7/20/2011 4:25:14 PM
 FILE NAME: 86100065-11e-01.dgn
 PLOT DRIVER: pdfPlot
 PEN TABLE: standard-trans.tbl



USER NAME = Charika	DESIGNED - CMH	REVISED -
PLOT SCALE = 1" = 100'	DRAWN - CMH	REVISED -
PLOT DATE = 7/20/2011	CHECKED - JLP	REVISED -
	DATE -	REVISED -

**STATE OF ILLINOIS
 DEPARTMENT OF TRANSPORTATION**

**ALIGNMENT, TIE & BENCHMARKS MILWAUKEE AVENUE
 MILWAUKEE AVENUE STREETSCAPE PROJECT**

SCALE: 1" = 100' SHEET NO. 1 OF SHEETS STA. TO STA.

F.A.P. RTE.	SECTION	COUNTY	TOTAL SHEETS	SHEET NO.
374	10-00111-00-LS	COOK	62	9
FED. ROAD DIST. NO. ILLINOIS FED. AID PROJECT			CONTRACT NO. 63622	