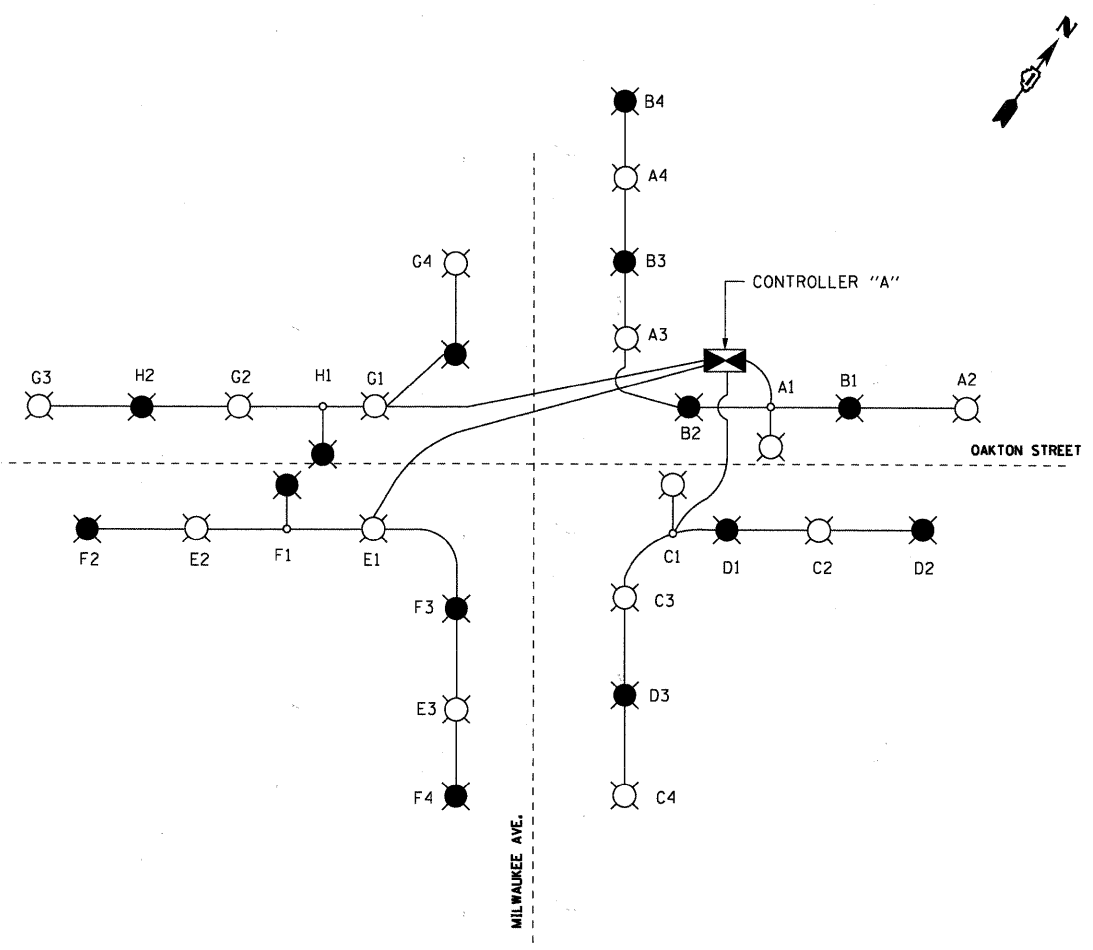


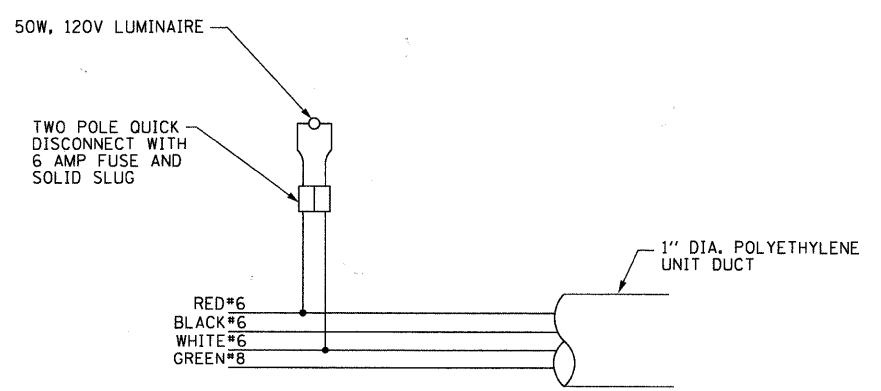
CONTROLLER "A" @ OAKTON STREET

CIRCUIT	RED		BLACK		
	AMPS @ 120V	VA	CIRCUIT	AMPS @ 120V	VA
A	3.39	406.8	B	1.72	206.4
C	3.39	406.8	D	1.29	154.8
E	1.29	154.8	F	3.39	406.8
G	1.72	206.4	H	2.96	355.2
I	SPARE	SPARE	J	SPARE	SPARE
TOTAL	9.79	1174.8	TOTAL	9.36	1123.2
TOTAL LOAD 19.15A					

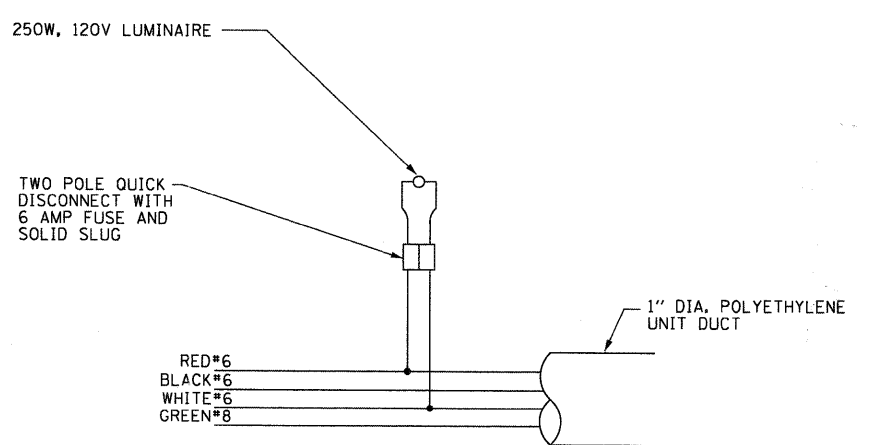


**LOAD DATA:**  
 50W HPS, 120V LUMINAIRE: 0.43A/LUMINAIRE  
 250W, 120V LUMINAIRE: 2.1A/LUMINAIRE

- LEGEND**
- LUMINAIRE, 250W, 120V WITH RED CIRCUIT
  - LUMINAIRE, 250W, 120V WITH BLACK CIRCUIT
  - PROPOSED LIGHTING CONTROLLER
  - UNIT DUCT 3 1/2" x 6 1/2" #8 GROUND, 1" POLY.
  - LUMINAIRE, 50W, 120V RED CIRCUIT
  - LUMINAIRE, 50W, 120V BLACK CIRCUIT



**SINGLE POLE WIRING**



**SINGLE POLE WIRING**

**NOTE:**  
 EXISTING LIGHTING AT INTERSECTION IS ON A SEPARATE CIRCUIT AND SHALL REMAIN (NOT AFFECTED BY PROPOSED WORK AND NOT SHOWN HERE).

LTG-04

**AMES Engineering, Inc.**  
 CONSULTING ENGINEERS  
 1341 Warren Avenue  
 Downers Grove, IL 60515  
 (630) 737-1881 (F) (630) 470-9881 (T)  
 www.amesengineeringinc.com

FILE NAME = #FILE#	USER NAME = #USER#	DESIGNED - BL	REVISED -	<b>STATE OF ILLINOIS DEPARTMENT OF TRANSPORTATION</b>	<b>VILLAGE OF NILES LIGHTING IMPROVEMENTS WIRING DIAGRAM - MILWAUKEE AVE. AT OAKTON STREET</b>	F.A.P. RTE.:	SECTION	COUNTY	TOTAL SHEETS	SHEET NO.
	PLOT SCALE = #SCALE#	DRAWN - RV	REVISED -			3513	10-00-111-00-LS	COOK	62	32
	PLOT DATE = #DATE#	CHECKED - MSA	REVISED -			CONTRACT NO. 63622				
				SCALE:	SHEET NO. OF SHEETS	STA. TO STA.	ILLINOIS FED. AID PROJECT			