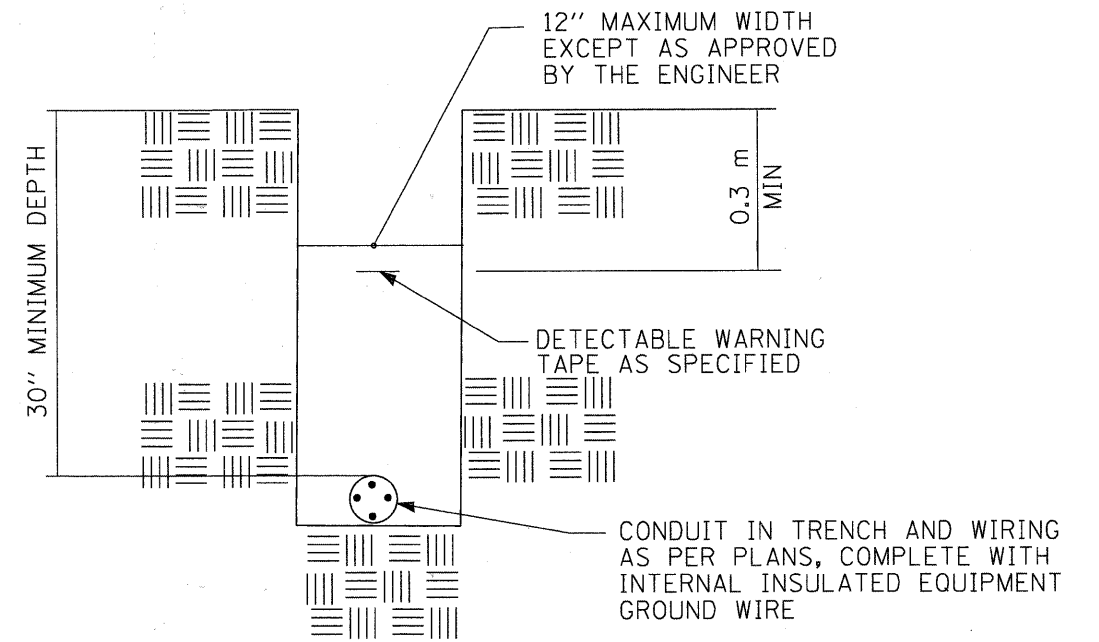
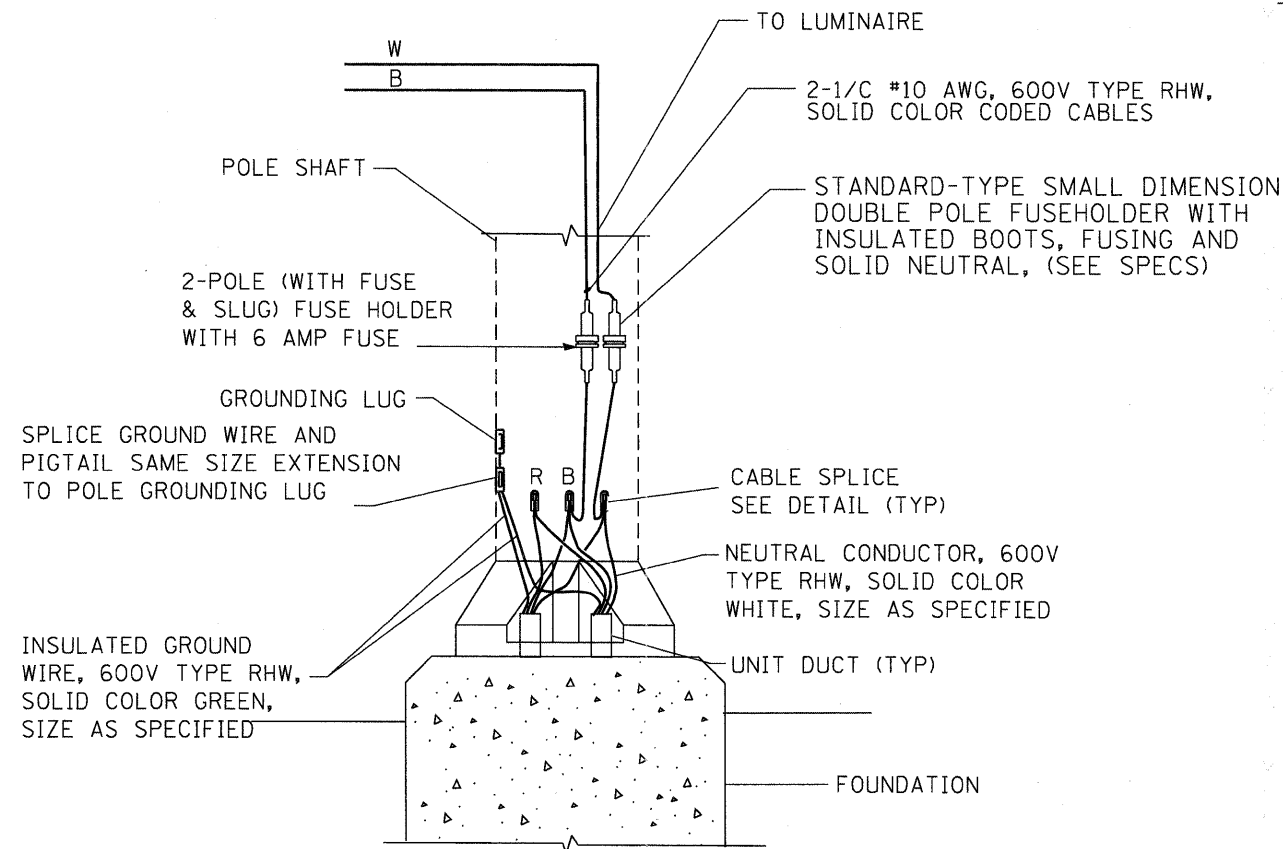


SPLICING DETAIL
N.T.S.



TYPICAL CONDUIT IN TRENCH DETAIL
N.T.S.



POLE BASE WIRING DIAGRAM
SINGLE MAST ARM
N.T.S.

LTC-10
AMES Engineering, Inc.
CONSULTING ENGINEERS
1341 Warren Avenue
Downers Grove, IL 60515
(630) 737-1987 (t); (630) 470-9891 (f)
www.amesengineeringinc.com

FILE NAME =	USER NAME = #USER#	DESIGNED - BL	REVISED -	STATE OF ILLINOIS DEPARTMENT OF TRANSPORTATION	LIGHTING DETAILS			F.A.P. RTE.	SECTION	COUNTY	TOTAL SHEETS	SHEET NO.
#FILE#	PLOT SCALE = #SCALE#	DRAWN - RV	REVISED -					3513	10-00-111-00-LS	COOK	62	38
	PLOT DATE = #DATE#	CHECKED - MSA	REVISED -		SCALE: SHEET NO. OF SHEETS STA. TO STA.			CONTRACT NO. 63622				
		DATE - 06-17-11	REVISED -		ILLINOIS FED. AID PROJECT							