

WIRING DIAGRAM

PHOTOCELL MOUNTED
IN CABINET OVERHANG

CABINET OVERHANG

CABINET DOOR

**PHOTOCELL IN CABINET
OVERHANG MOUNTING DETAIL**

NOT TO SCALE

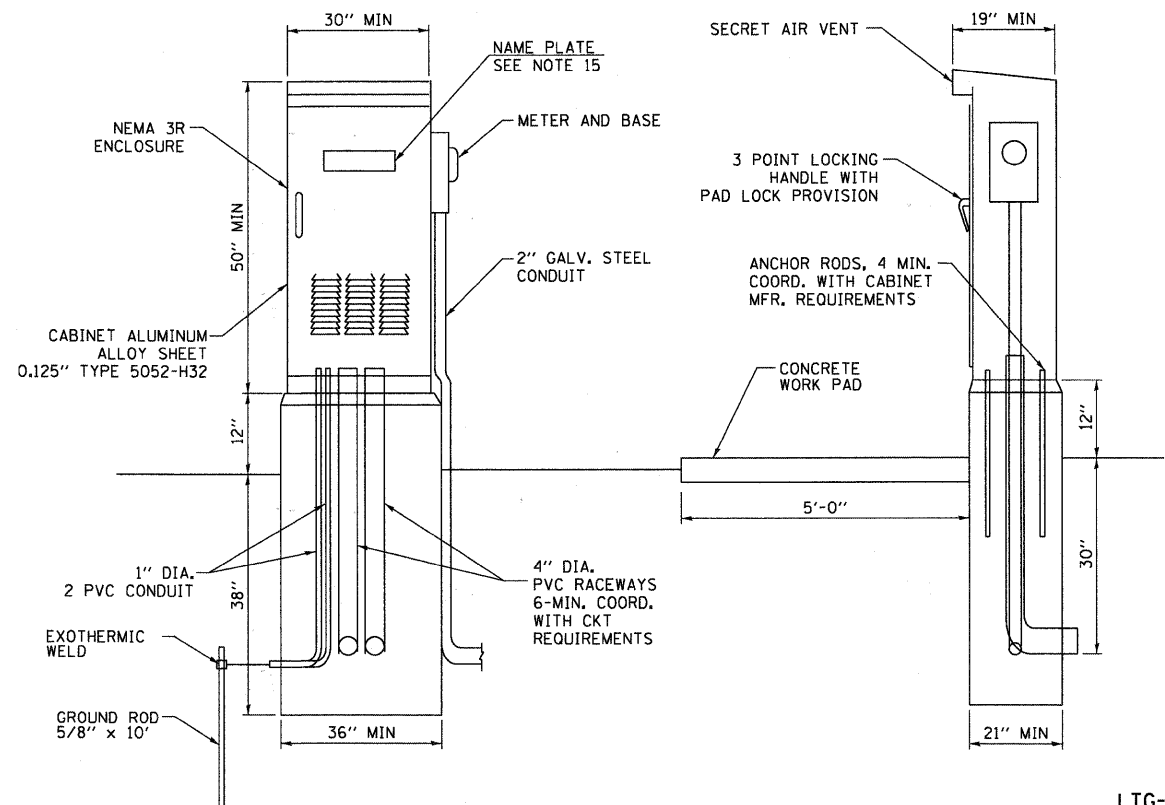
NOTES:

- ALL DIMENSIONS ARE IN MILLIMETERS (INCHES) UNLESS OTHERWISE NOTED.
- FOUNDATION SIZE SHALL BE COORDINATED WITH CABINET SIZE AND MFR.
- DOOR SHALL BE CONSTRUCTED FROM SAME TYPE OF MATERIAL AND THICKNESS AS CABINET.
- DOOR SHALL BE EQUIPPED WITH THREE POINT LATCHING MECHANISM WITH NYLON ROLLERS AT TOP THE BOTTOM.
- DOOR HINGE SHALL BE A HEAVY GAUGE CONTINUOUS HINGE WITH A 6.35 mm (1/4") DIA. STAINLESS STEEL HINGE PIN.
- ALL EXTERNAL HARDWARE SHALL BE STAINLESS STEEL.
- CONTROL WIRING TO BE #12 AWG, 600V, TYPE "SIS" GRAY SWITCH BOARD WIRE, STRANDED COPPER.
- METER BOX SHALL BE MOUNTED ON THE SIDE OF CONTROL CABINET, NEAR TO THE SERVICE POLE.
- CABINETS SHALL BE PRIMED AND PAINTED POWDER COATED BLACK AS SPECIFIED.
- THE HEADS OF CONNECTORS SCREWS SHALL BE PAINTED WHITE FOR NEUTRAL BAR CONNECTION AND GREEN FOR GROUND BAR CONNECTORS.
- ALL WIRING WITHIN THE CABINET SHALL BE COLOR CODED AS INDICATED.
R = RED BL = BLUE W = WHITE
B = BLACK Y = YELLOW G = GREEN
- PROVIDE SEALING GROMMETS FOR ALL OPEN WIRING EXTENDED FROM DEVICES IN BOXES OR CABINETS WITHIN THE CONTROL CABINET.
- ALL WIRING SHALL BE NEATLY DRESSED AND SUPPORTED.
- THE CONTROLLER SHALL BE CONSTRUCTED TO U.L. STD. 508 AND BEAR THE U.L. LABEL "ENCLOSED INDUSTRIAL CONTROL PANEL".
- 304.8 mm (12") X 406.4 mm (16") STAINLESS STEEL EXTERIOR NAMEPLATE SHALL BE ENGRAVED TO "VILLAGE OF NILES" LIGHTING CONTROLLER UNLESS OTHERWISE SPECIFIED.
- SERVICE DISCONNECT SHOULD HAVE UL LABEL AND THE EQUIPMENT SHOULD BE SUITABLE FOR SERVICE ENTRANCE EQUIPMENT.

PANEL EQUIPMENT

BILL OF MATERIAL

ITEM	QTY.	DESCRIPTION
A	1	MAIN CIRCUIT BREAKER, 2 POLE, 600 VOLT 100AMP. FRAME, 100AMP, NON-INTERCHANGEABLE TRIP INTERRUPTING RATING NEMA-22000 AMP. AT 240 VOLT.
B	1	REMOTE CONTROL CONTACTOR, ELECTRICALLY OPERATED, MECHANICALLY HELD, 2 POLE, SINGLE THROW, 100 AMP., 600 VOLTS CONTROL CIRCUITS 120 VOLT COIL, ASCO 920.
C	8	CIRCUIT BREAKERS, 1 POLE, 277V., 100AMP. FRAME 50AMP. NON-INTERCHANGEABLE TRIP INTERRUPTING RATING NEMA-14,000 AMP. AT 120 V.
D	2	CONTROL CIRCUIT-CIRCUIT BREAKER, 1 POLE, 240 V., 100AMP. FRAME, 15AMP. NON-INTERCHANGEABLE TRIP INTERRUPTING RATING NEMA-14,000 AMP. AT 120 V.
E	1	PHOTECCELL, 120V
H	1	SPST 20A SWITCH ON DOOR, TO TURN LIGHT ON WHEN DOOR IS OPEN.
I	1	INCANDESCENT LIGHTING FIXTURE ENCLOSED AND GASKETED WITH 60 WATT, 120 V. LAMP.
J	1	20 A., 120 V., DUPLEX RECEPTACLE, GFCI.
K	1	COPPER NEUTRAL BUS 6.35 mm (1/4") X 25.4 mm (1") X 304.8 mm (12") LONG MOUNTED ON PANEL WITH LUGS AND 4 SPARE LUGS.
L	1	TOGGLE SWITCHES MOUNTED IN 101.6 mm (4") X 101.6 mm (4") BOX.
M	1	COPPER GROUND BUS 6.35 mm (1/4") X 25.4 mm (1") X 304.8 mm (12") LONG MOUNTED ON PANEL WITH LUGS AND SPARE LUGS.
N	1	SURGE ARRESTOR



LTG-11

AMES Engineering, Inc.
CONSULTING ENGINEERS
1341 Warren Avenue
Downers Grove, IL 60515
(630) 737-1987 (t); (630) 470-9891 (f)
www.amesengineeringinc.com

FILE NAME =	USER NAME = #USER#	DESIGNED - BL	REVISED -	STATE OF ILLINOIS DEPARTMENT OF TRANSPORTATION	LIGHTING DETAILS				F.A.P. RTE.	SECTION	COUNTY	TOTAL SHEETS	SHEET NO.	
#FILEL#		DRAWN - RV	REVISED -		SCALE:	SHEET NO.	OF SHEETS	STA.	TO STA.	3513	10-00-111-00-LS	COOK	62	39
		CHECKED - MSA	REVISED -		CONTRACT NO. 63622									
		DATE - 06-17-11	REVISED -		ILLINOIS FED. AID PROJECT									