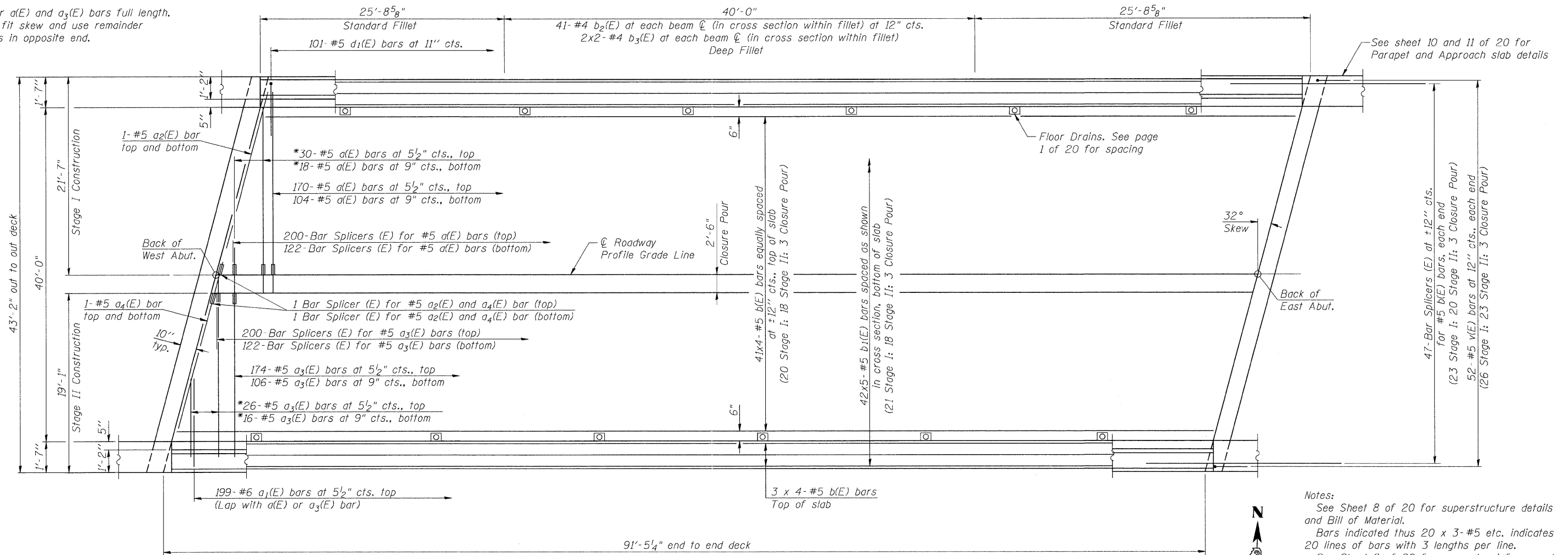
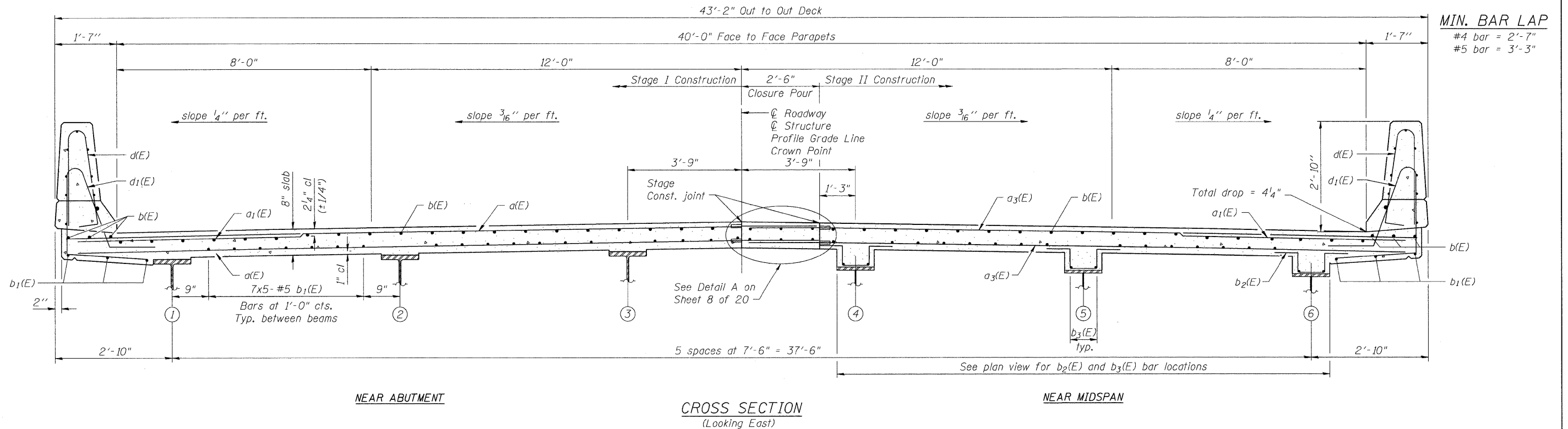


* Order a(E) and a₃(E) bars full length.
Cut to fit skew and use remainder
of bars in opposite end.



Notes:
See Sheet 8 of 20 for superstructure details and Bill of Material.
Bars indicated thus 20 x 3- #5 etc. indicates 20 lines of bars with 3 lengths per line.
See Sheet 8 of 20 for parapet reinforcement.
See Sheet 9 of 20 for diaphragm details and reinforcement.

PLAN



NEAR ABUTMENT

CROSS SECTION
(Looking East)

NEAR MIDSPAN

FILE NAME = ar_jp1\6300-6999\6346\027\microe\final_plans\structure\0370174-64C20-007-S.P.dgn

| | | | | | | | | | | |
|--|--------------------------|--------------|-----------|---|--|---------------------------|----------------|--------------|------------------|--------------|
| <p>1170 SOUTH HOUBOLT ROAD JOLIET, ILLINOIS 60431 (815) 744-4200</p> | USER NAME = branzf | DESIGNED MJD | REVISED - | STATE OF ILLINOIS DEPARTMENT OF TRANSPORTATION | SUPERSTRUCTURE STRUCTURE NO. 037-0174 | F.A.P. RTE. 585 | SECTION 128 BR | COUNTY HENRY | TOTAL SHEETS 106 | SHEET NO. 51 |
| | PLOT SCALE = | DRAWN B.J.F. | REVISED - | | | CONTRACT NO. 64C20 | | | | |
| | PLOT DATE = 7/19/2011 | CHECKED RRD | REVISED - | | | ILLINOIS FED. AID PROJECT | | | | |
| | SHEET NO. 7 OF 20 SHEETS | | | | | | | | | |