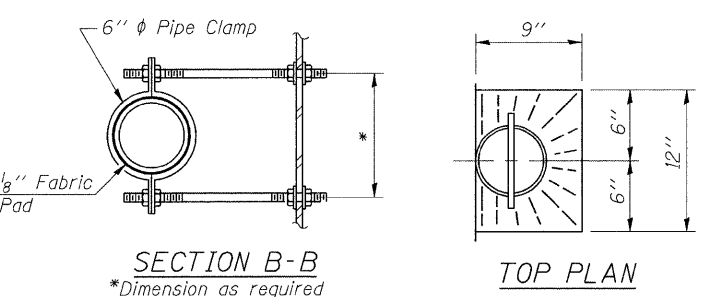
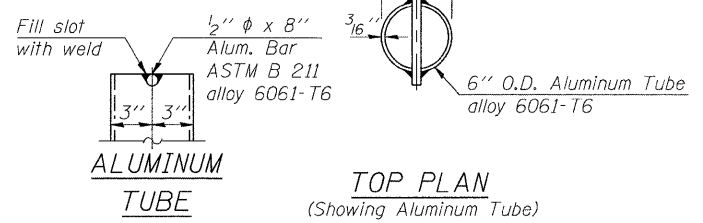


SECTION THRU PARAPET

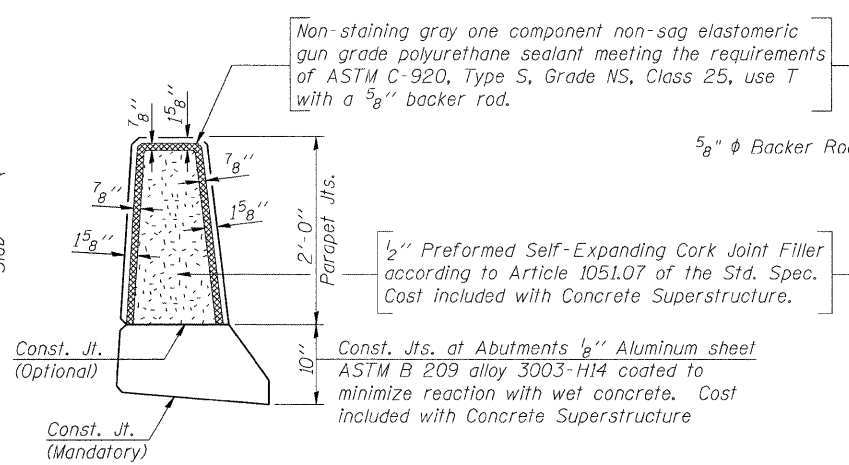


SECTION B-B
*Dimension as required by Pipe Clamp

TOP PLAN

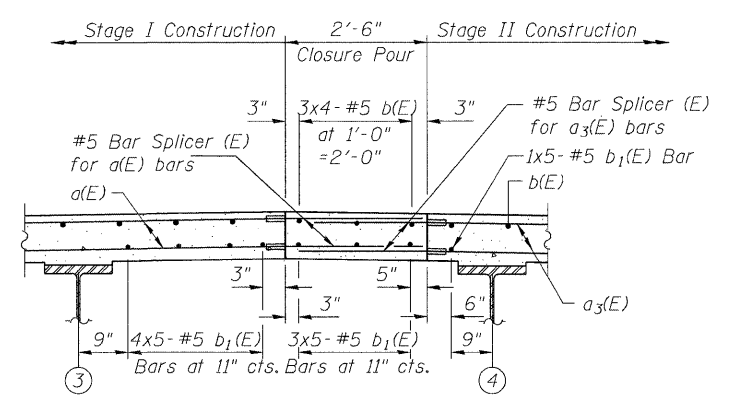


ALUMINUM TUBE
TOP PLAN (Showing Aluminum Tube)



PARAPET JOINT DETAILS

Notes:
The exterior surfaces of the floor drains shall be painted with the finish coat as specified in the special provisions for Cleaning and Painting New Metal Structures. The exterior surfaces of the drains shall be cleaned according to Society of Protective Coatings Spec. SSPC-SP1 prior to painting.
Galvanize clamping device according to AASHTO M232. Cost of clamping device and inserts is included with Floor Drains.

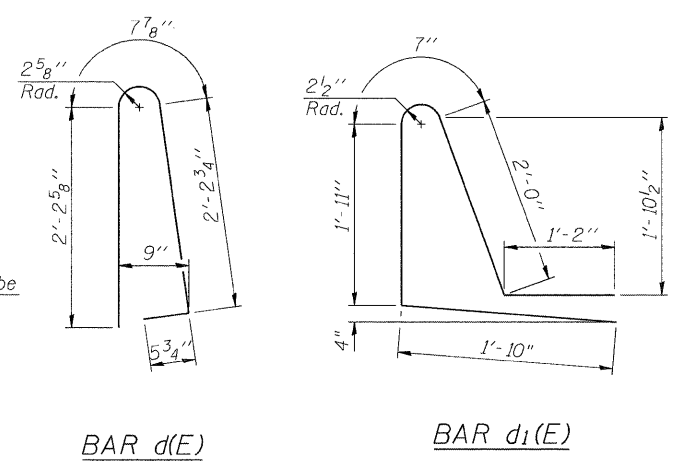


DETAIL A

SUPERSTRUCTURE
BILL OF MATERIAL

Bar	No.	Size	Length	Shape
a(E)	322	#5	21'-3"	—
a1(E)	398	#5	6'-6"	—
a2(E)	4	#5	25'-0"	—
a3(E)	322	#5	18'-9"	—
a4(E)	4	#5	22'-2"	—
b(E)	188	#5	25'-4"	—
b1(E)	210	#5	21'-0"	—
b2(E)	246	#4	3'-6"	U
b3(E)	24	#4	21'-4"	—
d(E)	202	#5	5'-7"	J
d1(E)	202	#5	7'-6"	J
e(E)	42	#4	17'-11"	—
e1(E)	8	#8	26'-9"	—
e2(E)	8	#4	24'-5"	—
e3(E)	28	#4	18'-0"	—
m(E)	20	#6	25'-1"	—
m1(E)	10	#6	8'-6"	—
m2(E)	4	#6	3'-0"	—
m3(E)	24	#6	12'-6"	—
s(E)	92	#5	6'-10"	J
s1(E)	84	#4	10'-11"	U
v(E)	104	#5	3'-9"	L
Reinforcement Bars, Epoxy Coated		Pound	34,140	
Concrete Superstructure		Cu. Yds.	168	

Bars indicated thus 1x4-#5 etc. indicates 1 line of bars with 4 lengths per line.



BAR d(E)

BAR d1(E)

BAR v(E)

FILE NAME = S:\JDL\63200-6399\6346-027\Misc\Final Plans\Structure\0370174-64C20-808-SUPDET.dgn



1170 SOUTH HOUBOLT ROAD JOLIET, ILLINOIS 60431 (815) 744-4200	USER NAME = brianf	DESIGNED MJD	REVISED -
	PLOT SCALE =	CHECKED AJS	REVISED -
	PLOT DATE = 8/11/2011	DRAWN B/JF	REVISED -
		CHECKED RRD	REVISED -

STATE OF ILLINOIS
DEPARTMENT OF TRANSPORTATION

SUPERSTRUCTURE DETAILS
STRUCTURE NO. 037-0174

SHEET NO. 8 OF 20 SHEETS

F.A.P. RTE. 585	SECTION 128 BR	COUNTY HENRY	TOTAL SHEETS 106	SHEET NO. 52
			CONTRACT NO. 64C20	
ILLINOIS FED. AID PROJECT				