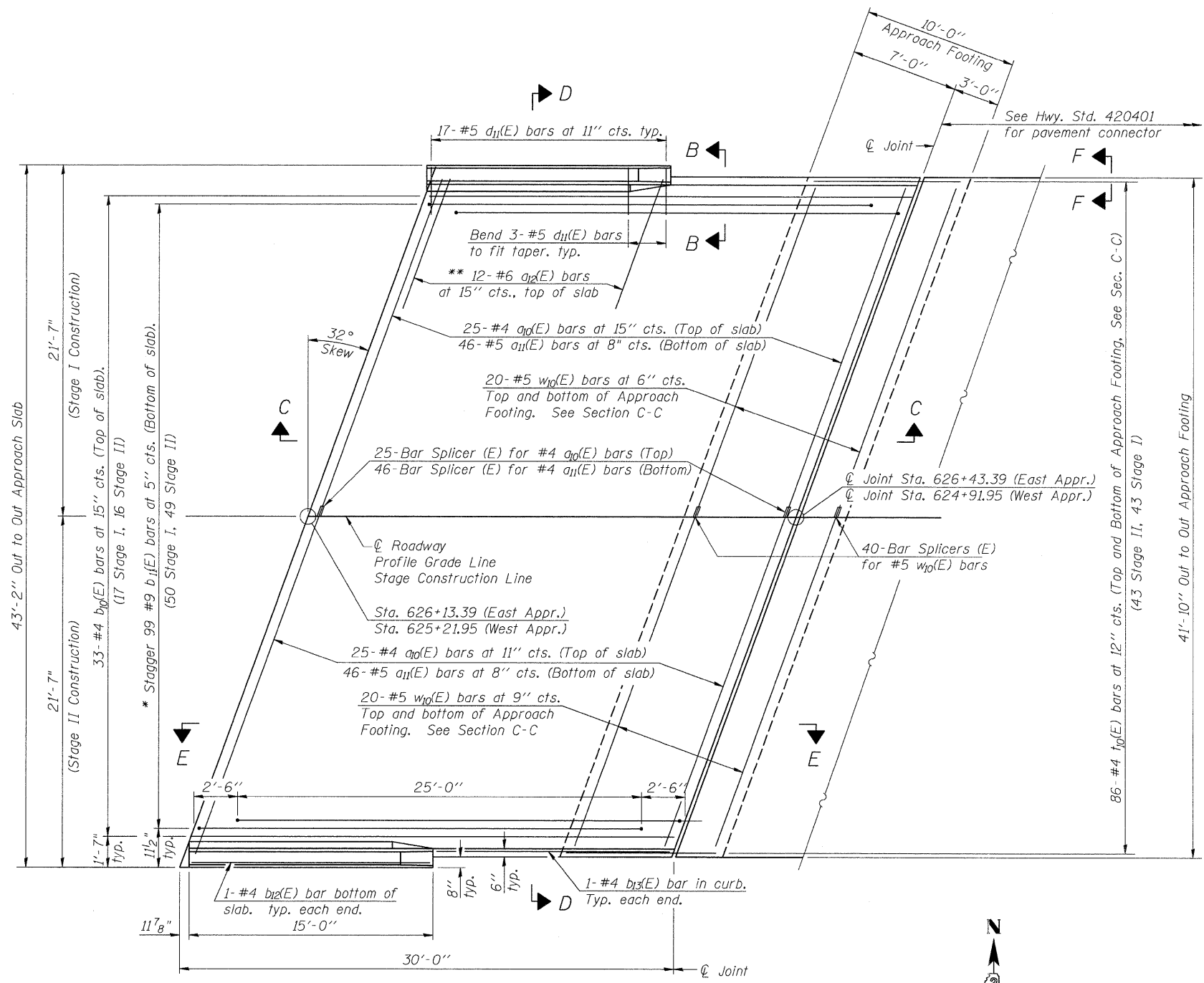
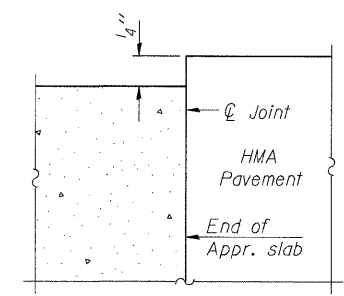
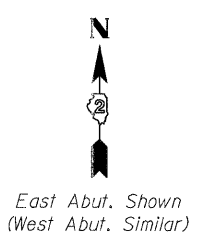


Notes:
See sheet 11 of 20 for Sections C-C & D-D and View E-E.
 $a_{10}(E)$ and $a_{11}(E)$ bar spacings measured along ϕ Rdwy.



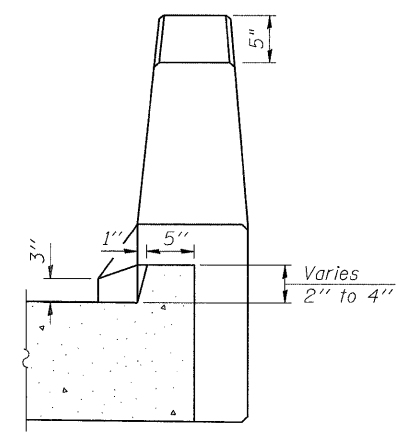
PLAN

* Tilt #9 $b_{11}(E)$ bars as required to maintain clearance.
** Space between $a_{10}(E)$ bars, typ. each parapet.

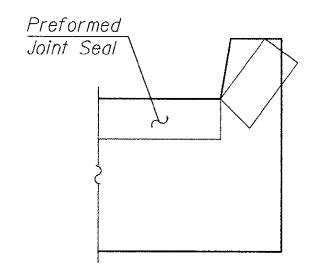


FLEXIBLE PAVEMENT

DETAIL A



VIEW B-B



VIEW F-F

Angle Preformed Joint Seal at 45° at curbs when req'd for drainage.

FILE NAME = s:\p\163200-6399\6346\027\micro\structural\03710174-64C20-010-BAP.dgn

BA-L



1170 SOUTH HOBOLT ROAD JOLIET, ILLINOIS 60431 (815) 744-4200	USER NAME = brianf	DESIGNED MJD	REVISED -
	PLOT SCALE =	CHECKED AJS	REVISED -
	PLOT DATE = 7/19/2011	DRAWN B/JF	REVISED -
		CHECKED RRD	REVISED -

STATE OF ILLINOIS
DEPARTMENT OF TRANSPORTATION

BRIDGE APPROACH SLAB DETAILS (1 OF 2)
STRUCTURE NO. 037-0174

SHEET NO. 10 OF 20 SHEETS

F.A.P. RTE. 585	SECTION 128 BR	COUNTY HENRY	TOTAL SHEETS 106	SHEET NO. 54
CONTRACT NO. 64C20				
ILLINOIS FED. AID PROJECT				