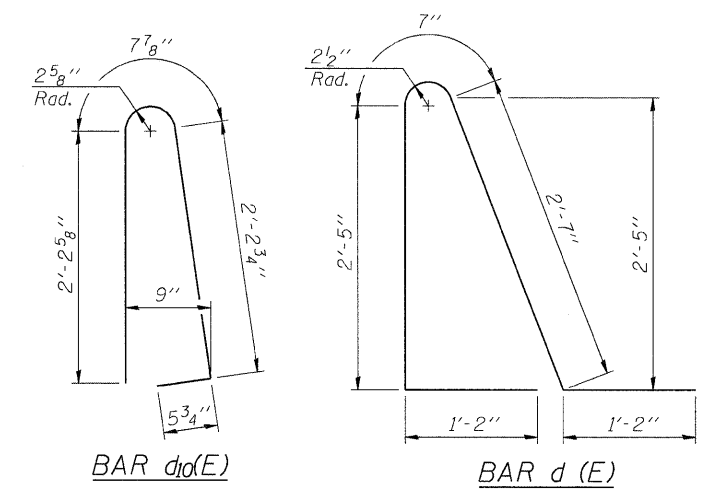
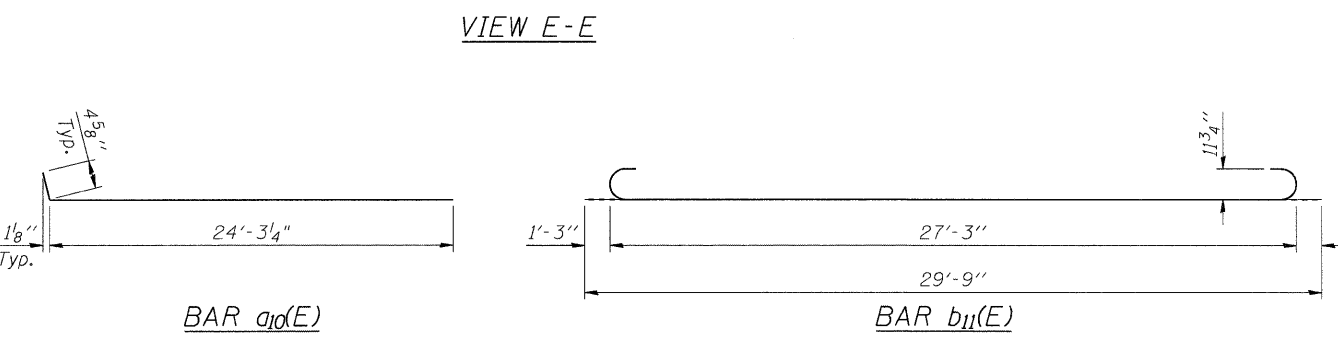
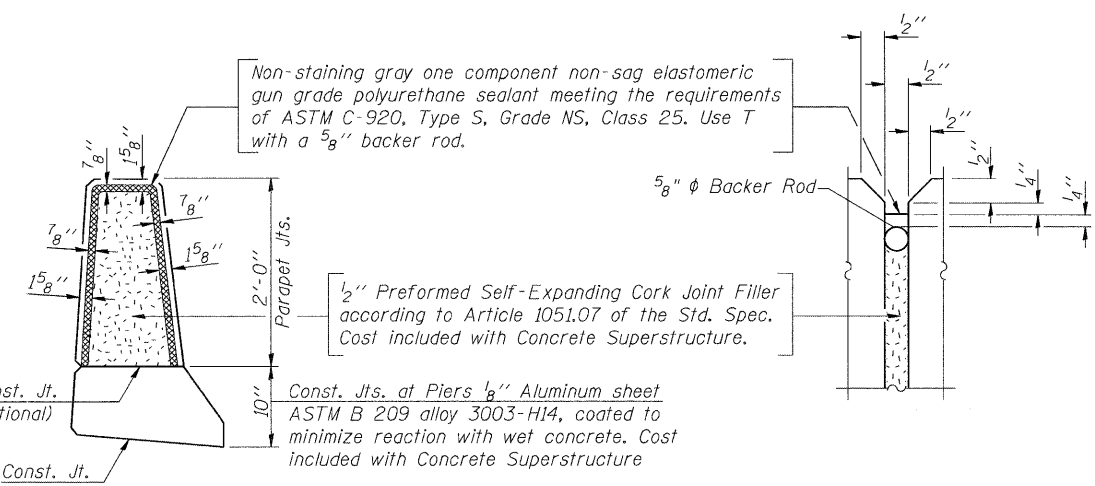
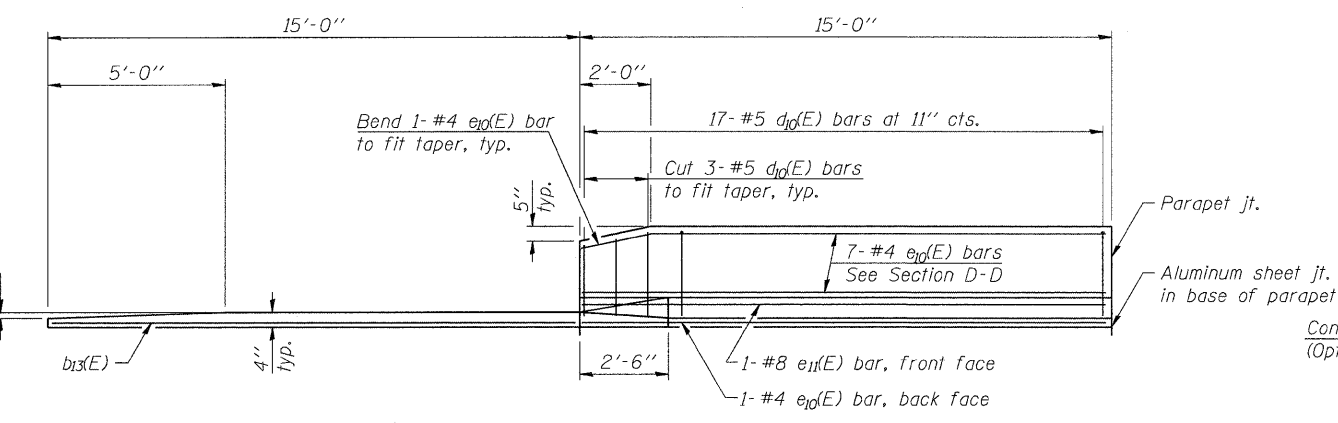
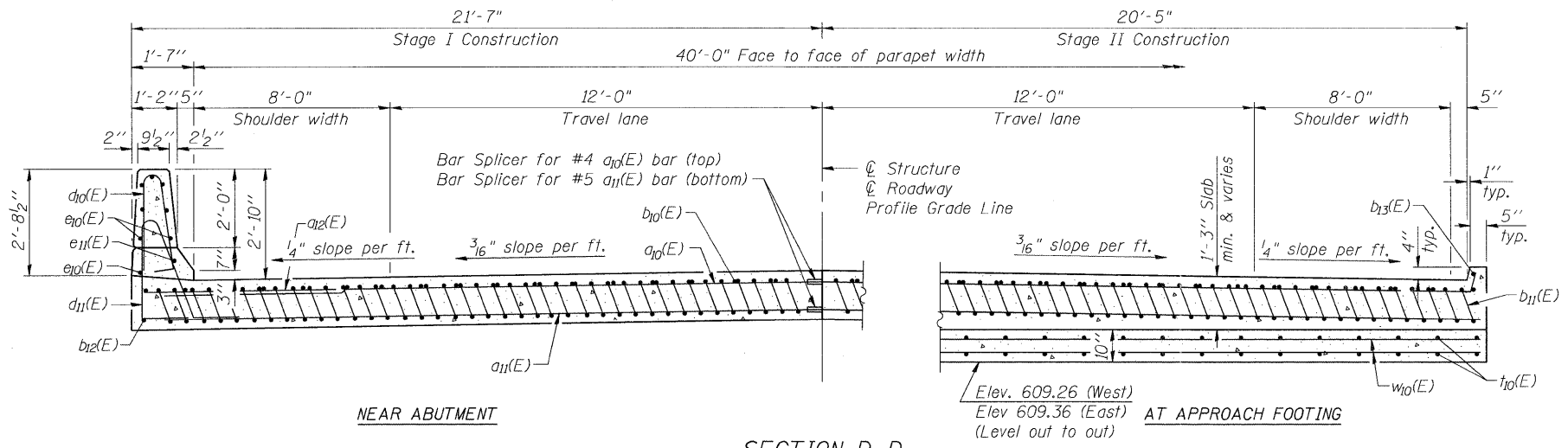
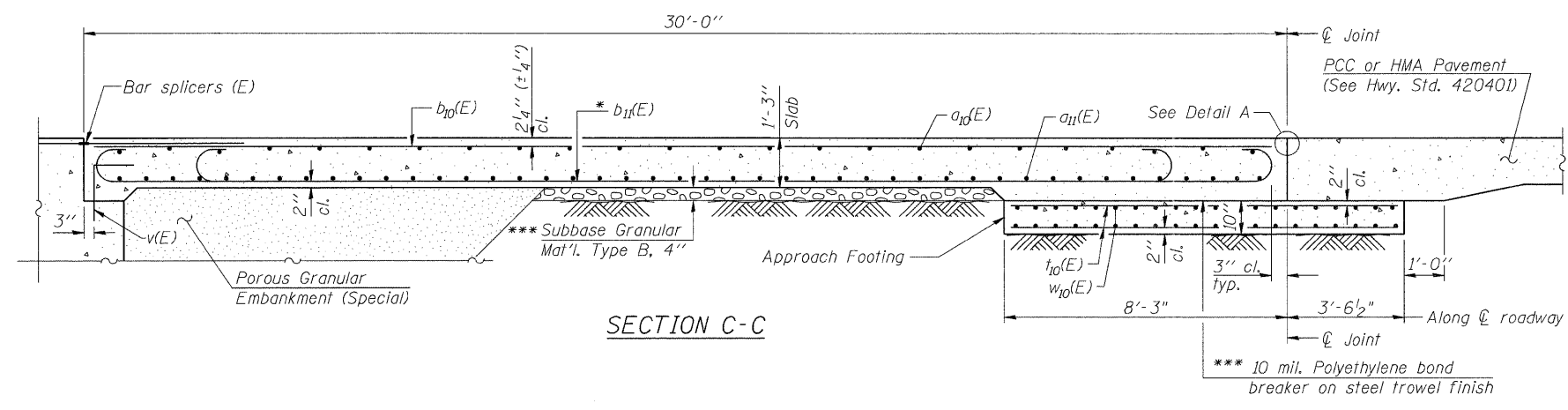


Notes:  
 See sheet 10 of 20 for Detail A and View B-B.  
 Approach slab and parapet concrete shall be paid for as Concrete Superstructure.  
 Approach footing concrete shall be paid for as Concrete Structures.  
 Reinforcement shall be paid for as Reinforcement Bars, Epoxy Coated.  
 For v(E) bar details, see sheet 9 of 20.  
 The approach footing maximum applied service bearing pressure (Qmax) = 2.0 ksf.  
 For bar splicer details, see sheet 17 of 20.  
 Cost of excavation for approach footing included with Concrete Structures.  
 For Porous Granular Embankment (Special) and drainage treatment details, see sheet 2 of 20.  
 For additional parapet details, see sheet 8 of 20.



\* Tilt #9 b11(E) bars as required to maintain clearance.  
 \*\*\* Cost included with Concrete Superstructure.

TWO APPROACHES  
 BILL OF MATERIAL

Bar	No.	Size	Length	Shape
a10(E)	100	#4	24'-8"	—
a11(E)	184	#5	24'-3"	—
a2(E)	48	#6	6'-6"	—
b10(E)	66	#4	29'-8"	—
b11(E)	198	#9	29'-9"	—
b12(E)	4	#4	14'-8"	—
b13(E)	4	#4	15'-8"	—
d10(E)	68	#5	5'-7"	—
d11(E)	68	#5	7'-11"	—
e10(E)	32	#4	14'-8"	—
e11(E)	4	#8	14'-8"	—
t10(E)	172	#4	11'-5"	—
w10(E)	160	#5	24'-4"	—
Reinforcement Bars, Epoxy Coated			Pound	29,620 *
Reinforcement Bars, Epoxy Coated			Pound	5,380 **
Concrete Structures			Cu. Yds.	31
Concrete Superstructure			Cu. Yds.	131

Bars indicated thus 1 x 2-#5 etc. indicates 1 line of bars with 2 lengths per line.  
 \* Included in Superstructure quantity  
 \*\* Included in Substructure quantity

FILE NAME = s:\p\6300-6395\6346\027\micro\struc\1\0370174-64C20-010-BAP.dgn



1170 SOUTH HOUBOLT ROAD  
 JOLIET, ILLINOIS 60431  
 (815) 744-4200  
 USER NAME = brianf  
 PLOT SCALE =  
 PLOT DATE = 7/19/2011

DESIGNED MJD  
 CHECKED AJS  
 DRAWN B/JF  
 CHECKED RRD  
 REVISED -  
 REVISED -  
 REVISED -  
 REVISED -

STATE OF ILLINOIS  
 DEPARTMENT OF TRANSPORTATION

BRIDGE APPROACH SLAB DETAILS (2 OF 2)  
 STRUCTURE NO. 037-0174

SHEET NO. 11 OF 20 SHEETS

F.A.P. RTE.	SECTION	COUNTY	TOTAL SHEETS	SHEET NO.
585	128 BR	HENRY	106	55
CONTRACT NO. 64C20			ILLINOIS FED. AID PROJECT	