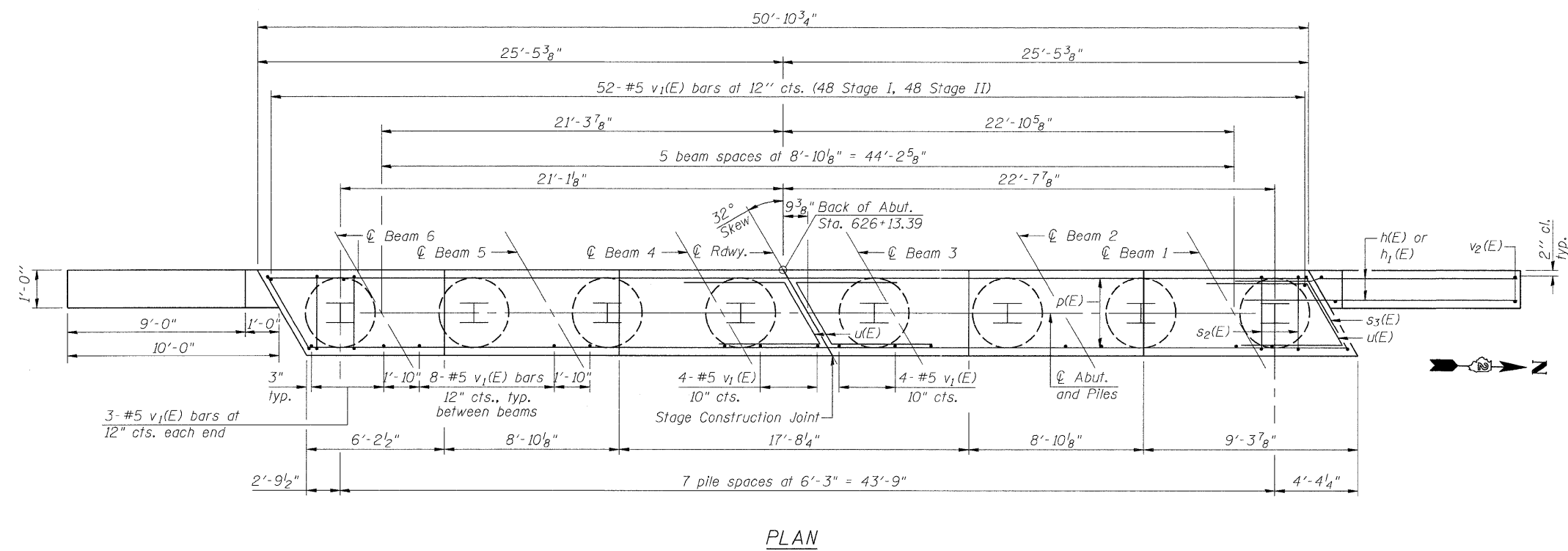
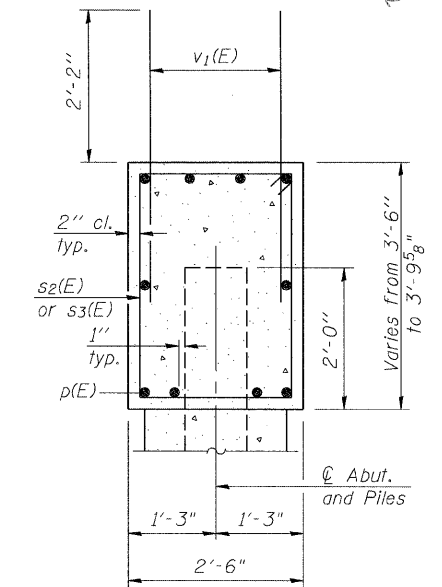
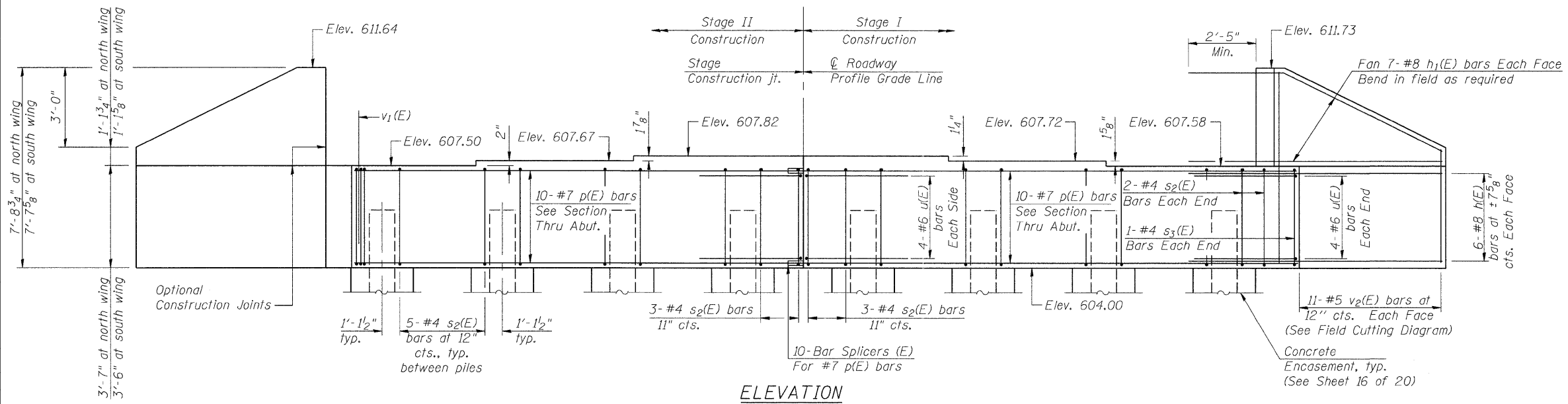


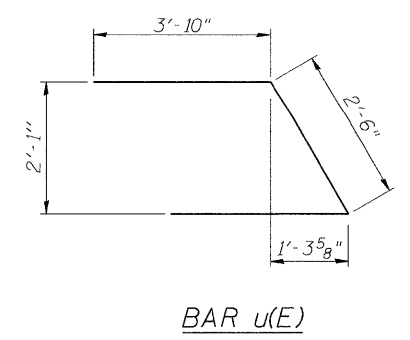
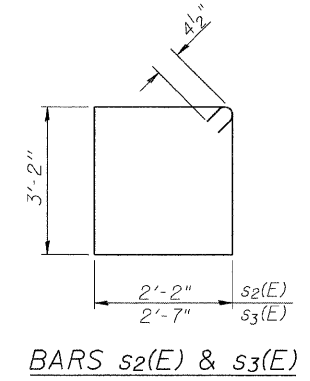
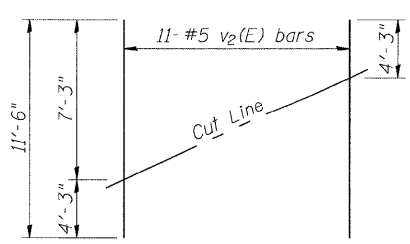
Notes:  
Pour steps monolithically with cap.



**BILL OF MATERIAL**

Bar	No.	Size	Length	Shape
h(E)	24	#8	16'-9"	—
h1(E)	28	#8	12'-11"	—
p(E)	20	#7	25'-1"	—
s2(E)	40	#4	11'-5"	□
s3(E)	2	#4	12'-3"	□
u(E)	16	#6	10'-2"	∩
v1(E)	98	#5	4'-4"	—
v2(E)	22	#5	11'-6"	—
Structure Excavation		Cu. Yd.	213	
Concrete Structures		Cu. Yd.	24	
Concrete Encasement		Cu. Yd.	3	
Reinforcement Bars, Epoxy Coated		Pound	4,330	
Furnishing Steel Piles HP 12x53		Foot	644	
Driving Piles		Foot	644	
Test Pile Steel HP 12x53		Each	1	
Geocomposite Wall Drain		Sq. Yd.	50	

For details of Bar Splicers, see sheet 17 of 20.  
For details of piles and Concrete Encasement, see sheet 16 of 20.



**PILE DATA**  
Type: HP12x53  
Nominal Required Bearing: 400 Kips  
Factored Resistance Available: 200 Kips  
Est. Length: 92 Feet/Pile  
No. Production Piles: 7  
No. Test Piles: 1

Order v2(E) full length. Cut as shown and use remainder of bars in opposite face.

FILE NAME = S:\JDL\6300-6399\6346\02\Work\Final Plans\Structural\0370174-64C20-014-ABUT.dgn

AI-L  
7-1-10



1170 SOUTH HOUBOLT ROAD JOLIET, ILLINOIS 60431 (815) 744-4200	USER NAME = brianf DESIGNED MJD CHECKED AJS DRAWN BJF CHECKED RRD	REVISOR - REVISOR - REVISOR - REVISOR -
---	---	--

STATE OF ILLINOIS  
DEPARTMENT OF TRANSPORTATION

WEST ABUTMENT DETAILS  
STRUCTURE NO. 037-0174

SHEET NO. 14 OF 20 SHEETS

F.A.P. RTE. 585	SECTION 128 BR	COUNTY HENRY	TOTAL SHEETS 106	SHEET NO. 58
CONTRACT NO. 64C20				ILLINOIS FED. AID PROJECT