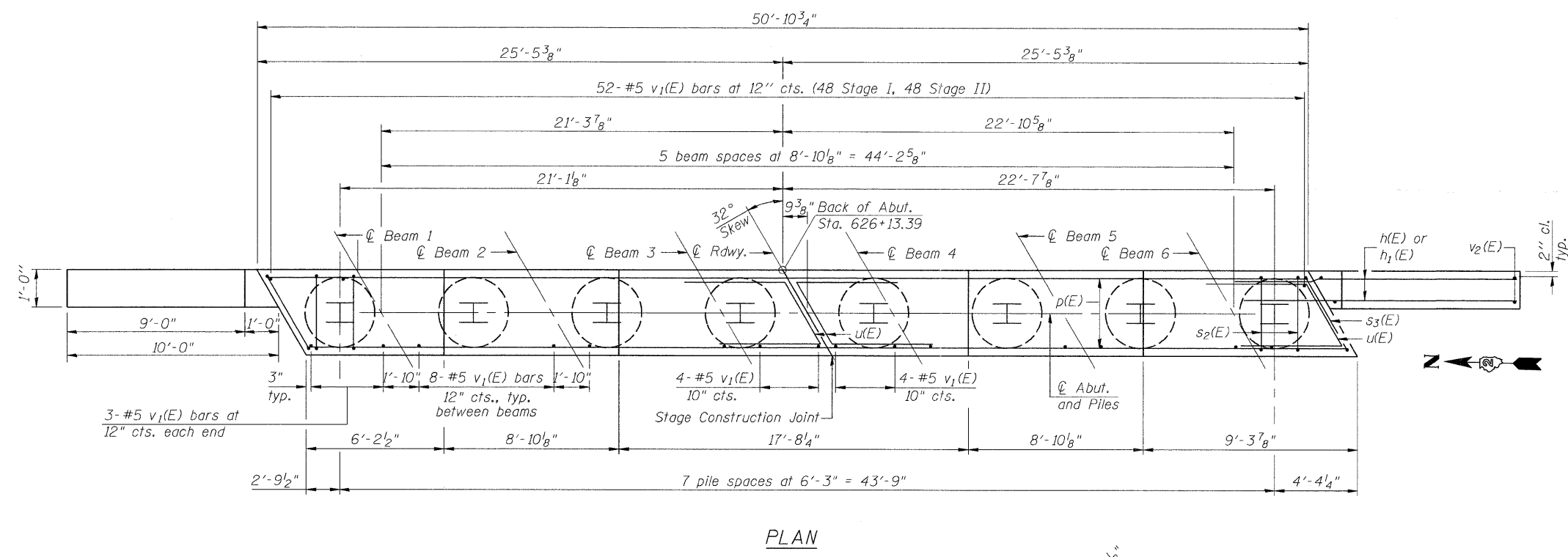
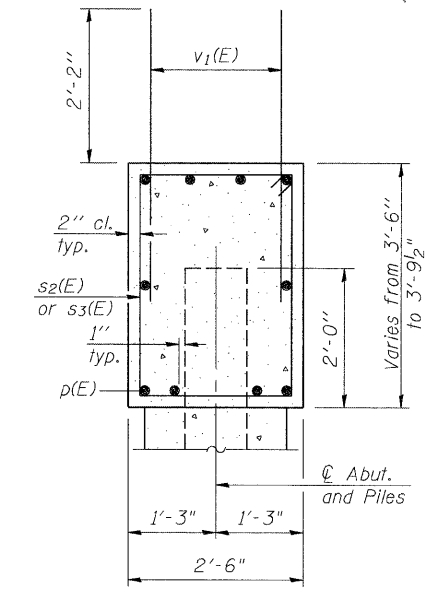
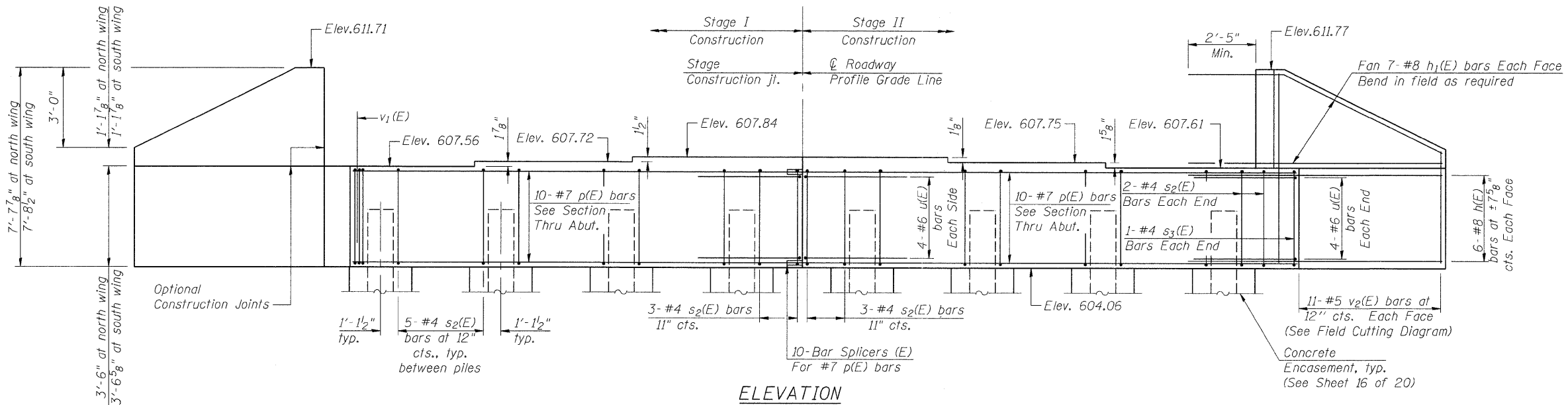


Notes:
Pour steps monolithically with cap.



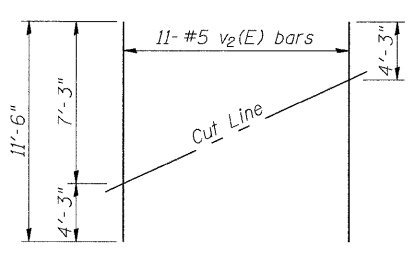
BILL OF MATERIAL

Bar	No.	Size	Length	Shape
h(E)	24	#8	16'-9"	—
h ₁ (E)	28	#8	12'-11"	—
p(E)	20	#7	25'-1"	—
s ₂ (E)	40	#4	11'-5"	□
s ₃ (E)	2	#4	12'-3"	□
u(E)	16	#6	10'-2"	∩
v ₁ (E)	98	#5	4'-4"	—
v ₂ (E)	22	#5	11'-6"	—
Structure Excavation		Cu. Yd.	213	
Concrete Structures		Cu. Yd.	24	
Concrete Encasement		Cu. Yd.	3	
Reinforcement Bars, Epoxy Coated		Pound	4,330	
Furnishing Steel Piles HP 12x53		Foot	672	
Driving Piles		Foot	672	
Test Pile		Each	1	
Steel HP 12x53				
Geocomposite Wall Drains		Sq. Yd.	50	

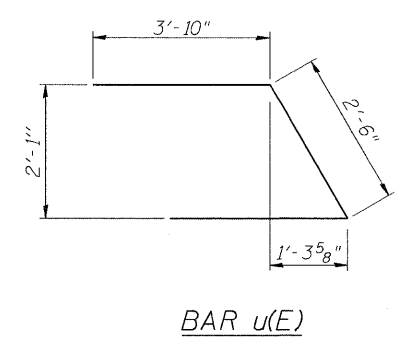
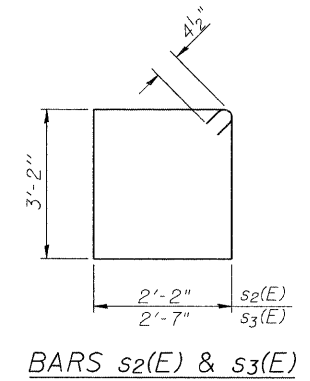
For details of Bar Splicers, see sheet 17 of 20.
For details of piles and Concrete Encasement, see sheet 16 of 20.

PILE DATA

Type: HP12x53
Nominal Required Bearing: 400 Kips
Factored Resistance Available: 200 Kips
Est. Length: 96 Feet/Pile
No. Production Piles: 7
No. Test Piles: 1



Order v₂(E) full length. Cut as shown and use remainder of bars in opposite face.



FILE NAME = S:\J.D.\63309--63399\6345\027\Micros\VF.in\Plans\Structural\0370174-64C20-014-ABUT.dgn

AI-L
1170 SOUTH HOUBOLT ROAD
JOLIET, ILLINOIS 60431
(815) 744-4200

USER NAME = brianf	DESIGNED MJD	REVISED -
PLOT SCALE =	CHECKED AJS	REVISED -
PLOT DATE = 8/11/2011	DRAWN B/JF	REVISED -
	CHECKED RRD	REVISED -

STATE OF ILLINOIS
DEPARTMENT OF TRANSPORTATION

EAST ABUTMENT DETAILS
STRUCTURE NO. 037-0174

SHEET NO. 15 OF 20 SHEETS

F.A.P. RTE.	SECTION	COUNTY	TOTAL SHEETS	SHEET NO.
585	128 BR	HENRY	106	59
CONTRACT NO. 64C20			ILLINOIS FED. AID PROJECT	