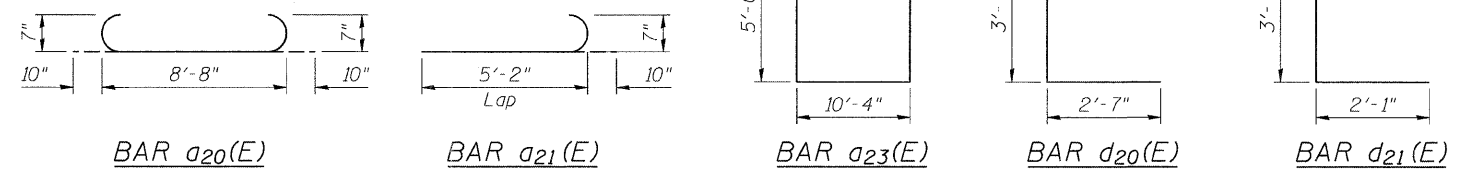
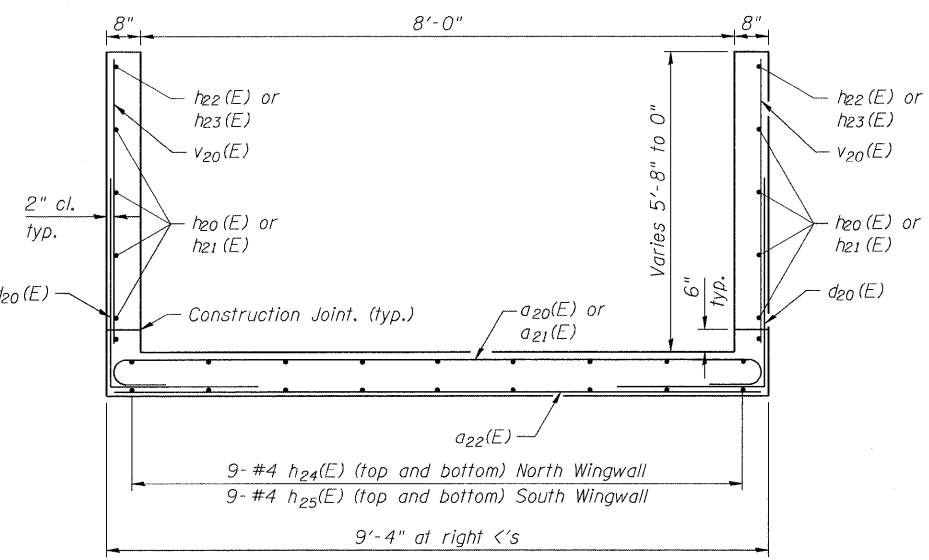
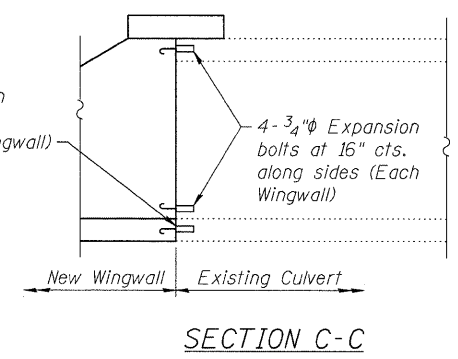
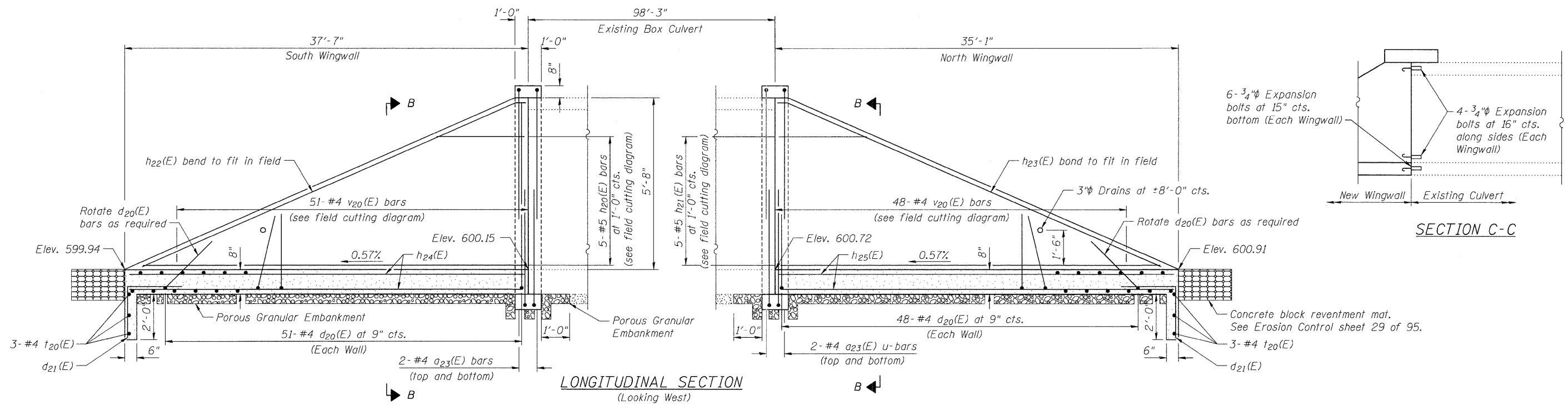


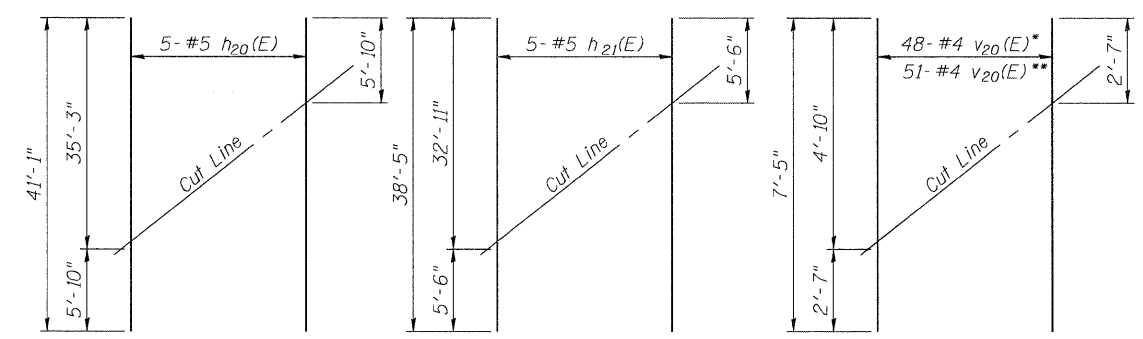
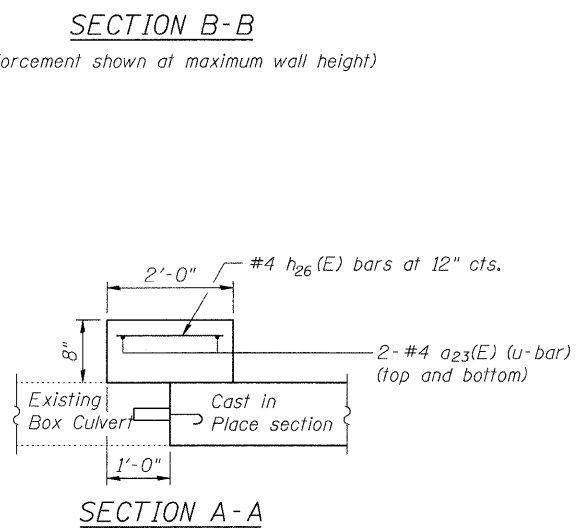
FILE NAME = s:\proj\63302-6395\6346\027\micro\structure\0370174-64C20-019-CB01.dgn



**MIN. BAR LAP**  
 #4 bars = 2'-7"  
 #5 bars = 3'-3"

**BILL OF MATERIAL**

Bar	No.	Size	Length	Shape
a20(E)	120	#7	10'-4"	U
a21(E)	76	#7	6'-0"	U
a22(E)	42	#4	9'-0"	—
a23(E)	8	#4	20'-4"	U
d20(E)	198	#4	6'-2"	L
d21(E)	42	#5	5'-8"	L
h20(E)	5	#5	41'-1"	—
h21(E)	5	#5	38'-5"	—
h22(E)	1	#5	35'-8"	—
h23(E)	1	#5	33'-4"	—
h24(E)	20	#4	37'-3"	—
h25(E)	20	#4	34'-9"	—
h26(E)	84	#4	1'-6"	—
l20(E)	6	#4	11'-9"	—
v20(E)	99	#4	8'-7"	—
Concrete Collar			Cu. Yd.	3.7
Removal of Existing Structure No. 1			Each	1
Box Culvert End Sections, Culvert No. 1			Each	2
Reinforcement Bars, Epoxy Coated			Pound	7,120



**North Wall Field Cut Diagram**  
 Order h20(E) full length. Cut as shown and use remainder of bars on shorter side.

**South Wall Field Cut Diagram**  
 Order h21(E) full length. Cut as shown and use remainder of bars on shorter side.

**North and South Wall Field Cut Diagram**  
 Order v20(E) full length. Cut as shown and use remainder of bars on shorter side.

\*North Wall  
 \*\*South Wall



USER NAME = brianf	DESIGNED MJD	REVISED -
PLOT SCALE *	CHECKED AJS	REVISED -
PLOT DATE = 7/19/2011	DRAWN B/JF	REVISED -
	CHECKED RRD	REVISED -

**STATE OF ILLINOIS DEPARTMENT OF TRANSPORTATION**

**WINGWALL DETAILS (2 OF 2)**  
**STRUCTURE NO. 037-1184**  
 SHEET NO. 2 OF 3 SHEETS

F.A.P. RTE. 585	SECTION 128 BR	COUNTY HENRY	TOTAL SHEETS 106	SHEET NO. 66
			CONTRACT NO. 64C20	
ILLINOIS FED. AID PROJECT				