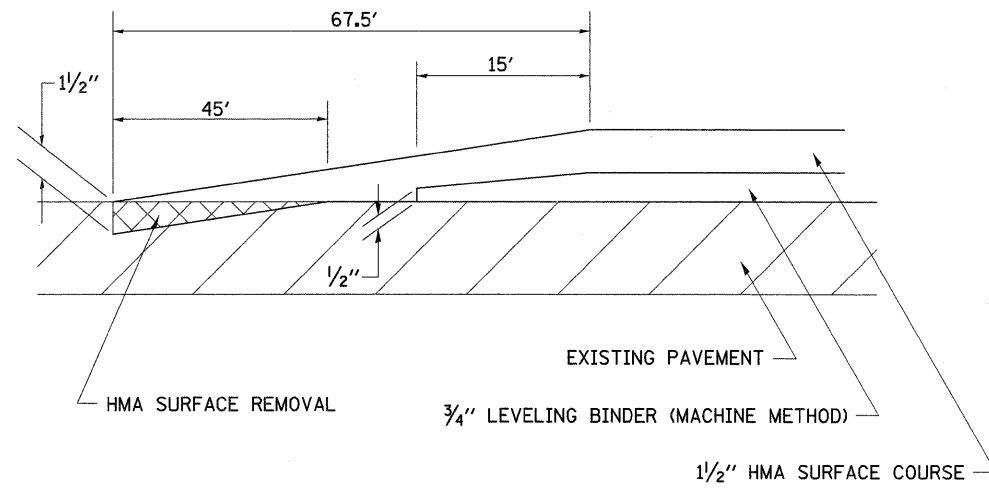


TYPICAL SECTIONS

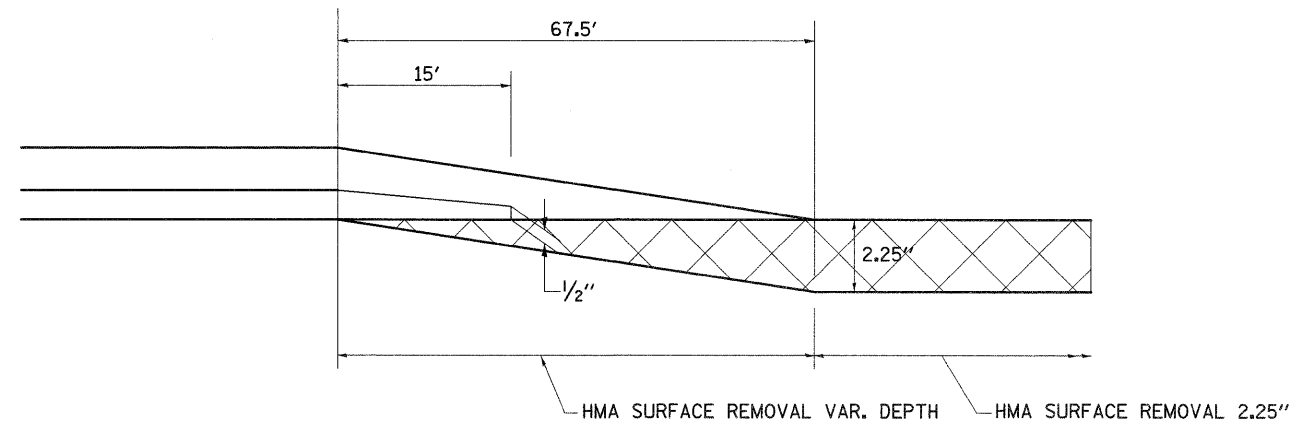
STA. 983+72 - 984+40
 STA. 340+40 - 341+07
 STA. 341+76 - 342+44
 STA. 375+00 - 375+68

TYPICAL TAPER



STA. 179+92.5 - 180+60
 STA. 184+60 - 185+27.5

TAPER



* 221,213 & 220
 ** ROCK ISLAND & MERCER COUNTY

FILE NAME =	USER NAME = grantpm	DESIGNED -	REVISED -	STATE OF ILLINOIS DEPARTMENT OF TRANSPORTATION	TYPICAL SECTIONS	F.A.S. RTE.	SECTION	COUNTY	TOTAL SHEETS	SHEET NO.	
es:\pw_work\pwidot\grantpm\0184077\0212307-sht-typical.dgn	PLOT SCALE = 50,0000' / 1in.	DRAWN -	REVISED -			*	(19,20)RS-2	**	231	11	
PLOT DATE = Thu Jun 23 08:32:58 2011	DATE -	CHECKED -	REVISED -			CONTRACT NO. 64072					
		DATE -	REVISED -			ILLINOIS FED. AID PROJECT					
					SCALE:	SHEET NO. OF SHEETS		STA.	TO STA.		