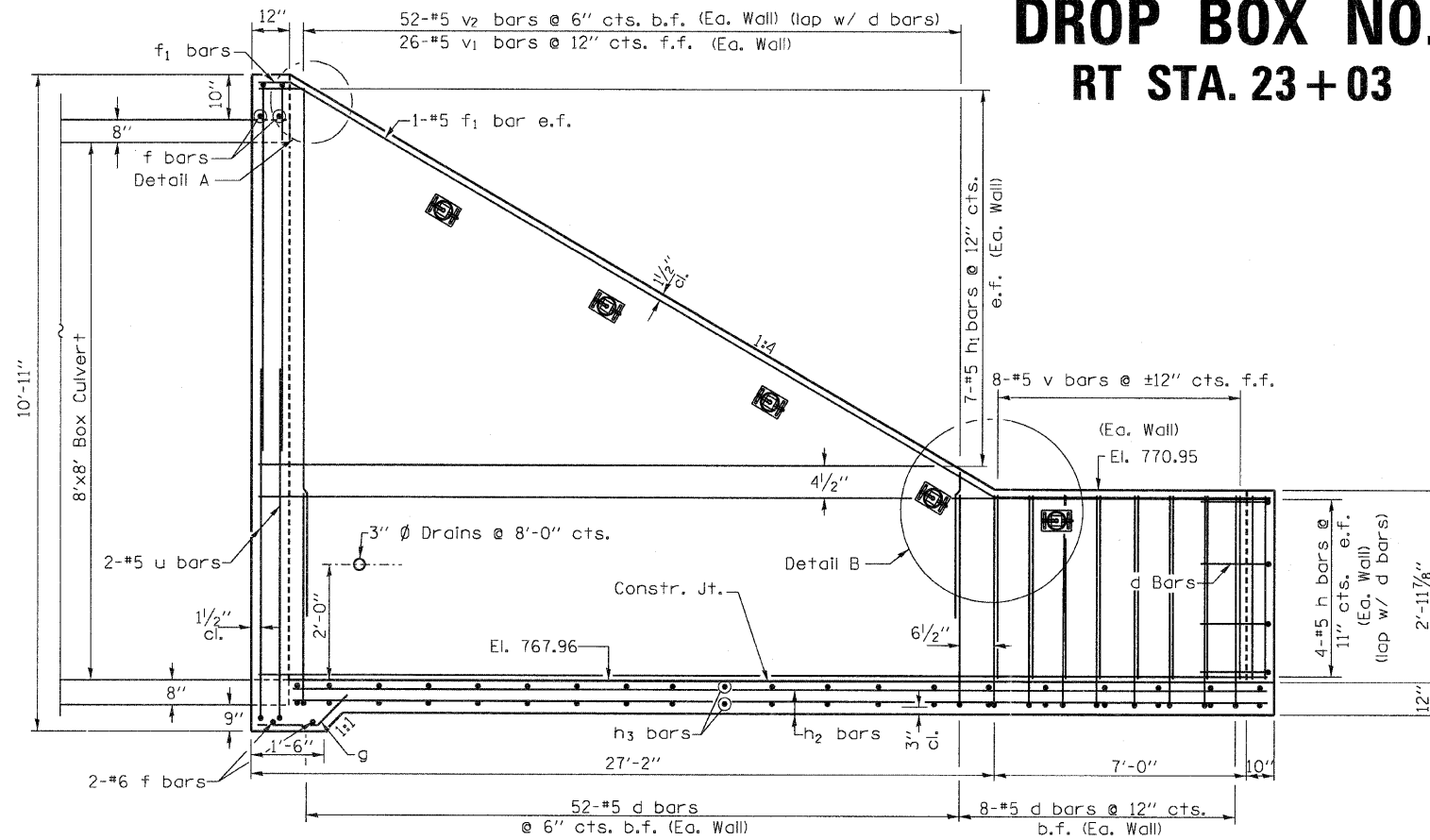


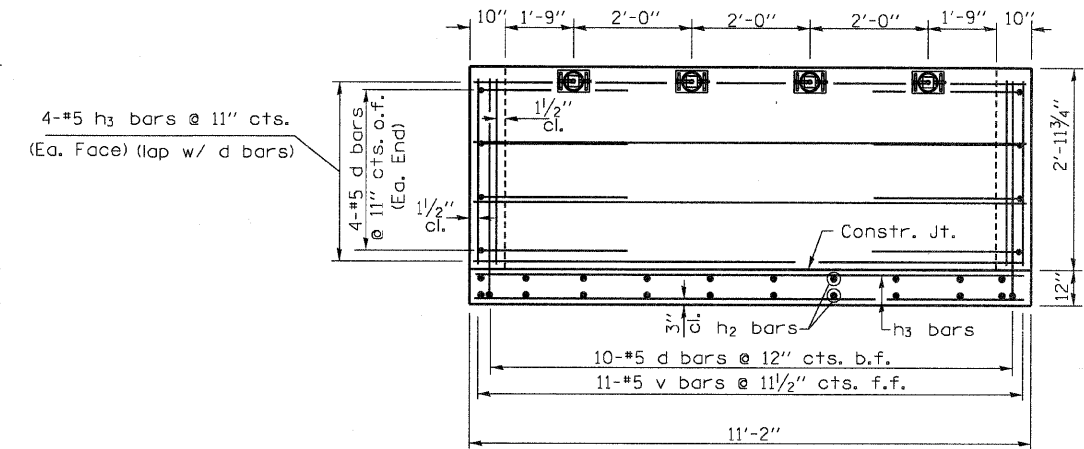
DROP BOX NO. 1

RT STA. 23+03

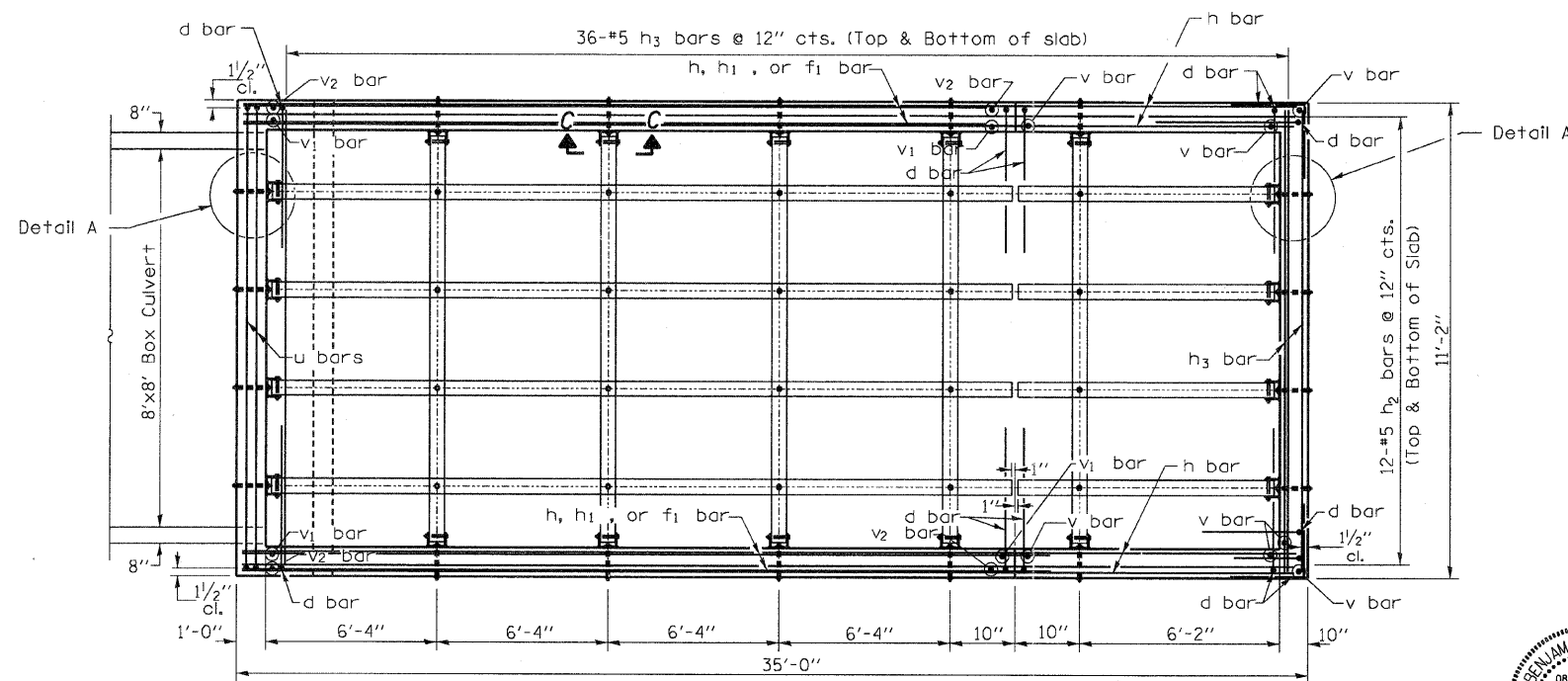
MIN. BAR LAP
#5 bar = 2'-2"



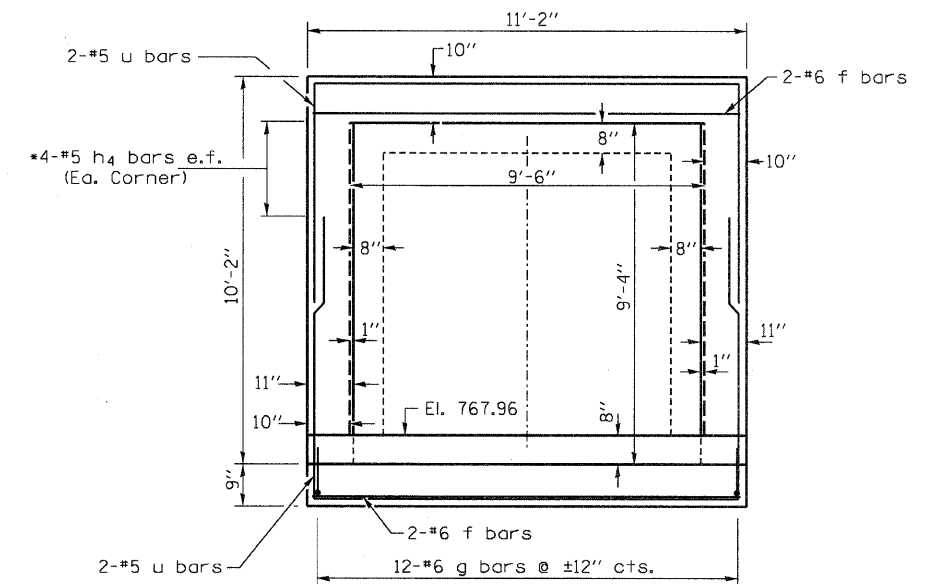
SIDEWALLS



BACK WALL

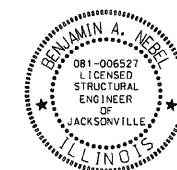


PLAN



HEADWALL

DESIGNED	C.T.M.
CHECKED	B.A.N.
DRAWN	C.T.M.
CHECKED	B.A.N.



SHEET NO. 1 2 SHEETS	ROUTE NO.	SECTION	COUNTY	TOTAL SHEETS	SHEET NO.
	FAS 213	(19,20)RS-2	MERCER	231	45
FED. ROAD DIST. NO. 7 ILLINOIS			CONTRACT NO. 64D72 FED. AID PROJECT		